

RFFM8595

4.9GHz to 5.85GHz 802.11a/n/ac WiFi
Front End Module

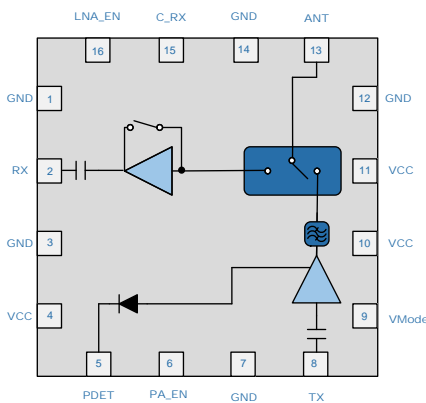
The RFFM8595 provides a complete integrated solution in a single front end module (FEM) for WiFi 802.11a/n/ac systems. The ultra-small factor and integrated matching minimizes layout area in the customer's application and greatly reduces the number of external components. This simplifies the total front end solution by reducing the bill of materials, system footprint, and manufacturing cost. The RFFM8595 integrates a 5 GHz power amplifier (PA), single pole double throw switch (SP2T), LNA with bypass, and a power detector coupler for improved accuracy. The device is provided in a 2.5mm x 2.5mm x 0.40mm, 16-pin QFN package. This module meets or exceeds the RF front end needs of IEEE 802.11a/n/ac WiFi RF systems.



Package: QFN, 16-pin,
2.5mm x 2.5mm x 0.40mm

Features

- $P_{OUT}=17.5\text{dBm}$, 11ac, 80MHz
1.5% (-36.5dB) EVM
- $P_{OUT}=19.5\text{dBm}$, 11n 20MHz
2.5% (-32dB) EVM
- Input and Output Matched to 50Ω
- Integrated 5GHz PA, SP2T Switch, LNA, and PDET
- Low Height Package, Suited for SiP and CoB designs
- Supports low power mode for improved efficiency



Functional Block Diagram

Applications

- Cellular Handsets
- Mobile Devices
- Tablets
- Consumer Electronics
- Gaming
- Netbooks/Notebooks
- TV/Monitors/Video

Ordering Information

RFFM8595SB	Standard 5-piece sample bag
RFFM8595SQ	Standard 25-piece sample bag
RFFM8595SR	Standard 100-piece reel
RFFM8595TR7	Standard 2500-piece reel
RFFM8595PCK-410	Fully assembled eval board w/ 5-piece sample bag

**Please contact
RFMD Technical Support
at (336) 678-5570
for more information.**