

4

3

2

1

THIS DRAWING IS UNPUBLISHED.

RELEASED FOR PUBLICATION

NOV ,2005.

© COPYRIGHT 2005 BY TYCO ELECTRONICS CORPORATION. ALL RIGHTS RESERVED.

LOC

DIST

REVISIONS

E

B

P

LTR

DESCRIPTION

DATE

DWN

APVD

A

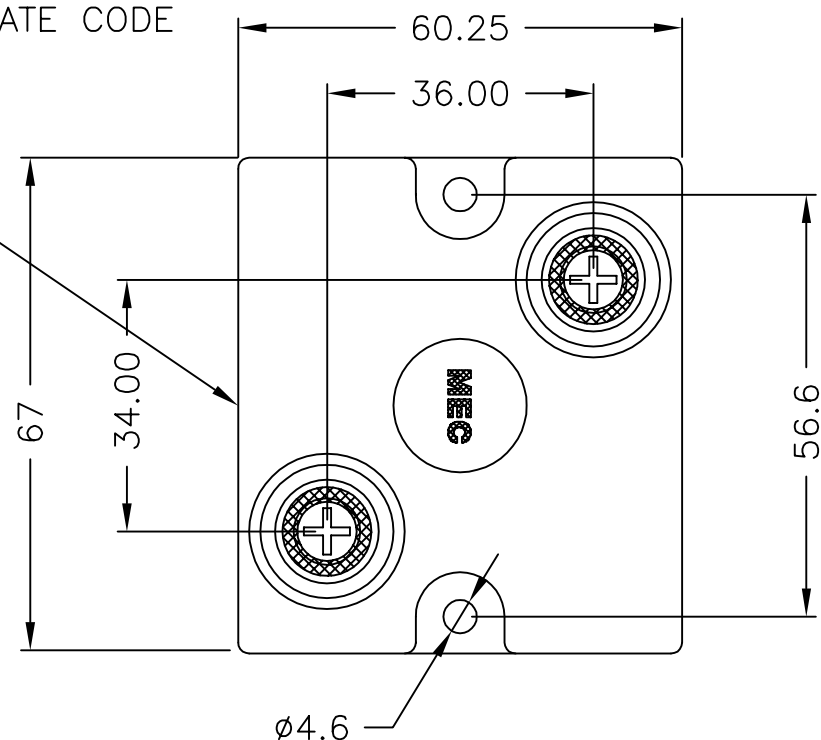
FIRST REVISION

04NOV05

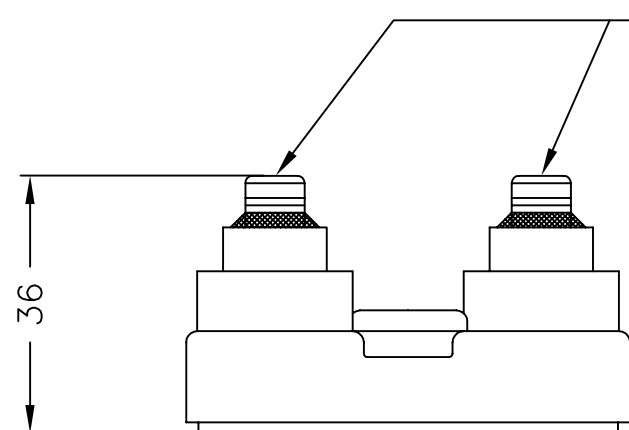
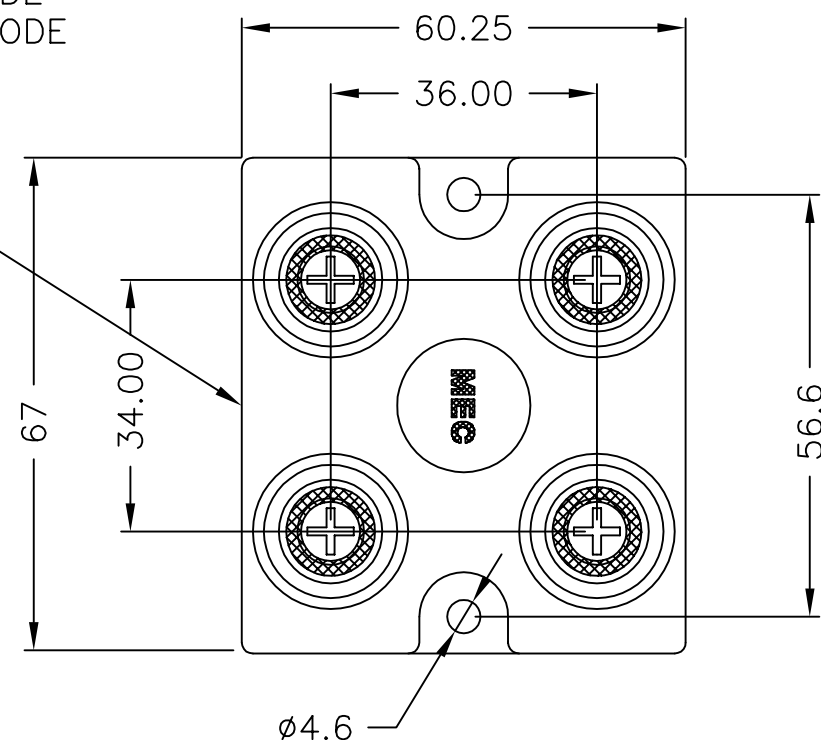
DK

JC

CODE
TYCO PRODUCT CODE
VALUE, TOL, DATE CODE

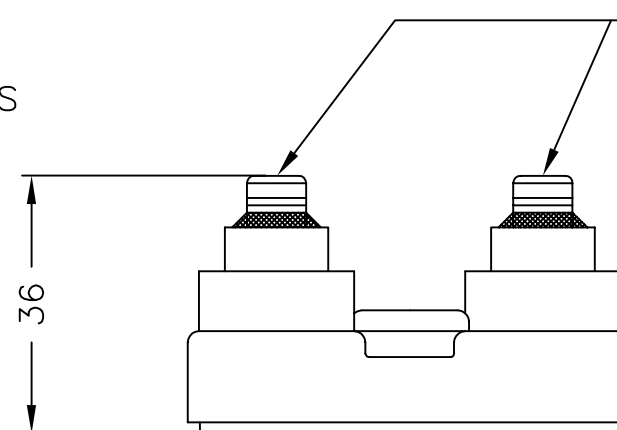


CODE
TYCO PRODUCT CODE
VALUE, TOL, DATE CODE



- 2 OFF M4 SCREWS
- 2 OFF M4 PLAIN WASHERS
- 2 OFF M4 SHAKEPROOF WASHERS

BDS2A250



- 4 OFF M4 SCREWS
- 4 OFF M4 PLAIN WASHERS
- 4 OFF M4 SHAKEPROOF WASHERS

BDS4B250

FOR A SPECIFIC PN FOR A RESISTANCE VALUE AND TOLERANCE, PLEASE REFER TO DMF.

THIS DRAWING IS A CONTROLLED DOCUMENT.

DWN DAVE KENNEDY 03NOV05

CHK J CATCHPOLE 04NOV05

APVD J CATCHPOLE 04NOV05

PRODUCT SPEC

APPLICATION SPEC

WEIGHT -

tyco Tyco Electronics Corporation
Electronics Dorcan, Swindon, SN3 5HH

NAME BDS2A250 & BDS4B250

SIZE A3 CAGE CODE 00779 DRAWING NO C=1614770 RESTRICTED TO

SCALE NTS SHEET 1 OF 1 REV A

DIMENSIONS:	TOLERANCES UNLESS OTHERWISE SPECIFIED:
MM	
	0 PLC ± 0.5
	1 PLC ± 0.2
	2 PLC ± 0.1
	3 PLC ± -
	4 PLC ± -
	ANGLES ± 5

MATERIAL - FINISH -

Mouser Electronics

Authorized Distributor

Click to View Pricing, Inventory, Delivery & Lifecycle Information:

[TE Connectivity:](#)

[BDS2A2508R0K](#)