

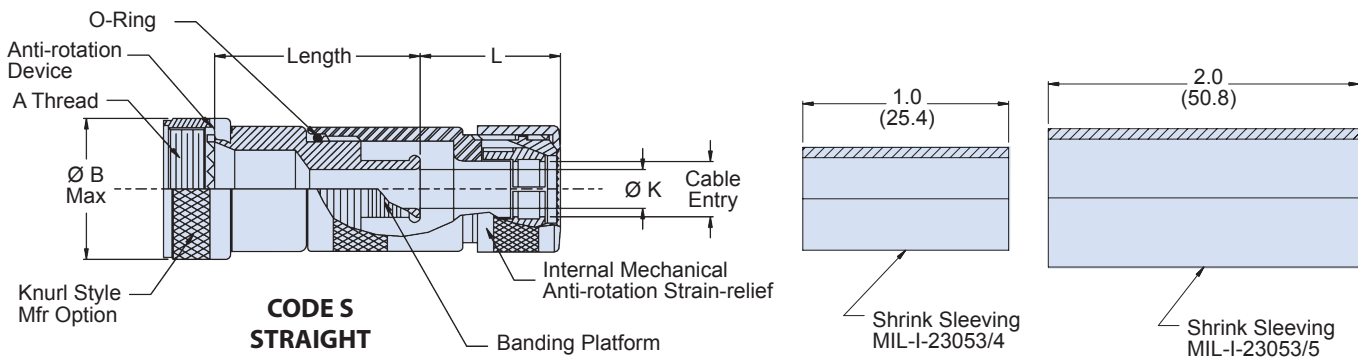
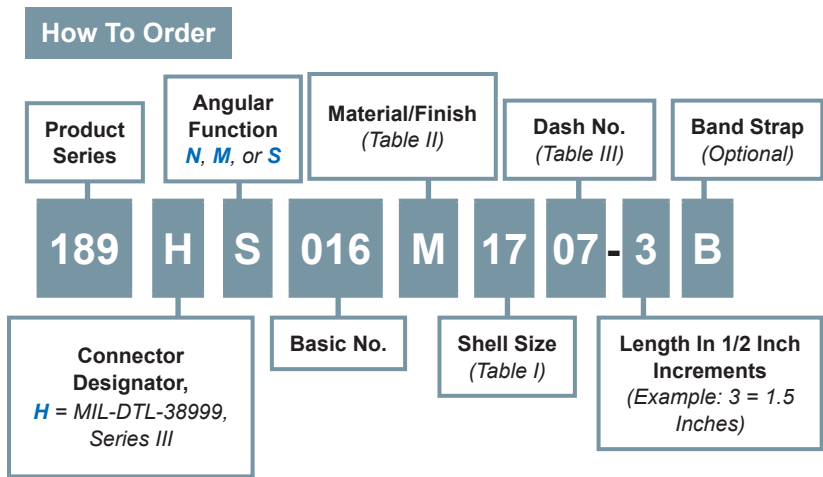


**189-016**  
**Backshell with Banding Strain Relief**  
**Environmental Resistant**  
**for MIL-DTL-38999 Series III Fiber Optic Connectors**

**D38999**  
Series III

**B**

**MIL-DTL-38999 Series III backshell with strain relief**



**Material and Finish**

Adapter, Coupling Nut: See Table II  
Clamp Components: Ryton R4XT-Black, Ultem 1000-Natural  
Anti-Rotation Device: Torlon 42031-Natural

**Notes**

Glenair 600 Series Backshell assembly tools are recommended for assembly and installation.  
Standard minimum length: 1.5 inches, for shorter length consult factory.  
For Shield termination see Glenair drawings 600-050 & 600-052.  
Consult factory for larger cable size.  
MIL-I-23053/4 & /5 Shrink Sleeving to be packaged loose in a plastic bag.  
MIL-I-23053/4 Shrink Sleeving to be heat shrunk over rear of Adapter before MIL-I-23053/5 Shrink Sleeving.  
For assembly instruction, see GAP-064

**189-016**  
**Backshell with Banding Strain Relief**  
**Environmental Resistant**  
**for MIL-DTL-38999 Series III Fiber Optic Connectors**



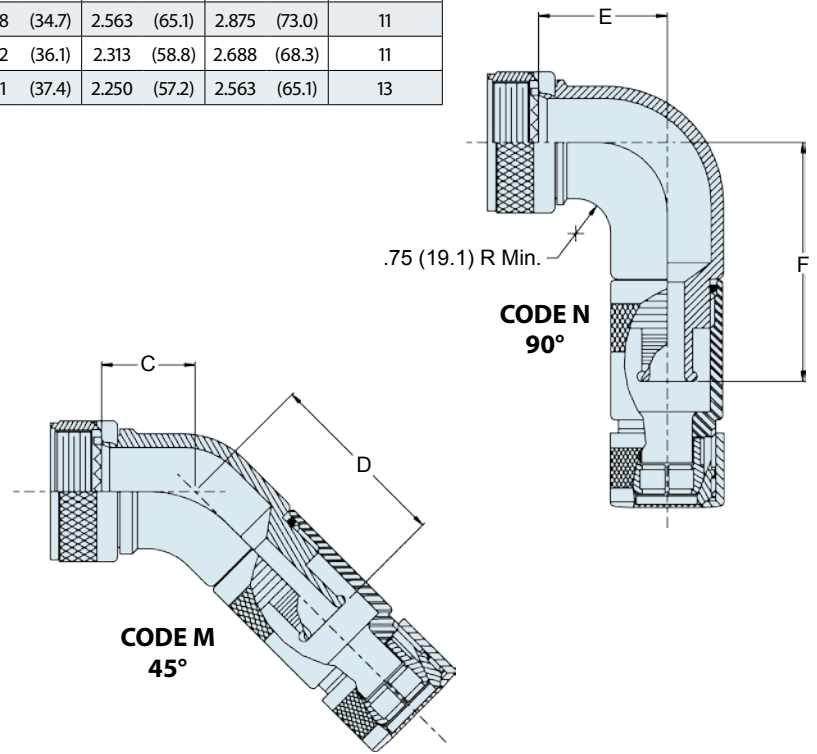
MIL-DTL-38999  
Series III Type

**B**

| Shell Size | A Thread     | ØB Max       | C Max        | D Max        | E Max        | F Max        | Max Dash No. |
|------------|--------------|--------------|--------------|--------------|--------------|--------------|--------------|
| 11         | M15 x 1 - 6H | 0.890 (22.6) | .861 (21.9)  | 1.111 (28.2) | 1.563 (39.7) | 1.875 (47.6) | 05           |
| 13         | M18 x 1 - 6H | 1.020 (25.9) | .911 (23.1)  | 1.161 (29.5) | 1.938 (49.2) | 2.250 (57.2) | 05           |
| 15         | M22 x 1 - 6H | 1.150 (29.2) | .965 (24.5)  | 1.215 (30.9) | 1.938 (49.2) | 2.250 (57.2) | 07           |
| 17         | M25 x 1 - 6H | 1.230 (31.2) | 1.014 (25.8) | 1.264 (32.1) | 2.063 (52.4) | 2.375 (60.3) | 07           |
| 19         | M28 x 1 - 6H | 1.360 (34.5) | 1.064 (27.0) | 1.314 (33.4) | 2.063 (52.4) | 2.375 (60.3) | 09           |
| 21         | M31 x 1 - 6H | 1.480 (37.6) | 1.118 (28.4) | 1.368 (34.7) | 2.563 (65.1) | 2.875 (73.0) | 11           |
| 23         | M34 x 1 - 6H | 1.600 (40.6) | 1.172 (29.8) | 1.422 (36.1) | 2.313 (58.8) | 2.688 (68.3) | 11           |
| 25         | M37 x 1 - 6H | 1.730 (43.9) | 1.221 (31.0) | 1.471 (37.4) | 2.250 (57.2) | 2.563 (65.1) | 13           |

| Code | Material       | Finish Description                     |
|------|----------------|--|
| M    | Aluminum Alloy | Electroless Nickel                     |
| NF   |                | Cadmium Plate, Olive Drab, Over Nickel |

Refer to Appendix for material/finish details



| Dash No. | Clamp Size | Cable Dia Max | Ø K ±005     | L Max        | MIL-I-23053 Shrink Sleeve | MIL-I-23053 Shrink Sleeve | Cable Entry Dia |              |
|----------|------------|---------------|--------------|--------------|---------------------------|---------------------------|-----------------|--------------|
|          |            |               |              |              |                           |                           | Min             | Max          |
| 05       | 12         | .280 (7.11)   | .312 (7.92)  | 1.110 (28.2) | /4-203-0                  | /5-107-0                  | .233 (5.92)     | .375 (9.53)  |
| 07       | 16         | .395 (10.0)   | .438 (11.1)  | 1.210 (30.7) | /4-204-0                  | /5-108-0                  | .358 (9.10)     | .500 (12.7)  |
| 09       | 20         | .510 (13.0)   | .562 (14.3)  | 1.210 (30.7) | /4-204-0                  | /5-109-0                  | .482 (12.2)     | .625 (15.9)  |
| 11       | 24         | .621 (15.8)   | .688 (17.5)  | 1.210 (30.7) | /4-205-0                  | /5-109-0                  | .545 (13.8)     | .750 (19.1)  |
| 13       | 28         | .736 (18.7)   | .812 (20.6)  | 1.360 (34.5) | /4-205-0                  | /5-110-0                  | .670 (17.0)     | .875 (22.2)  |
| 15       | 32         | .851 (21.6)   | .938 (23.8)  | 1.510 (38.4) | /4-206-0                  | /5-110-0                  | .795 (20.2)     | 1.000 (25.4) |
| 17       | 36         | .966 (24.5)   | 1.062 (27.0) | 1.510 (38.4) | /4-206-0                  | /5-111-0                  | .889 (22.6)     | 1.125 (28.6) |
| 19       | 40         | 1.091 (27.7)  | 1.188 (30.2) | 1.510 (38.4) | /4-206-0                  | /5-111-0                  | 1.104 (28.0)    | 1.250 (31.8) |