

PLEASE CHECK WWW.MOLEX.COM FOR LATEST PART INFORMATION

Part Number: [1300180206](#)
Status: **Active**
Overview: Brad® Mini-Change® Connectors
Description: Mini-Change 3 Pole 90° Adapter, Female to Male

Documents:

[Drawing \(PDF\)](#) [RoHS Certificate of Compliance \(PDF\)](#)

Agency Certification

CSA LR6837
 UL E152210

General

Product Family Industrial Tees and Splitters
 Series [130018](#)
 IP Rating IP67
 Overview [Brad® Mini-Change® Connectors](#)
 Product Name Mini-Change®
 Type Drop Tee
 UPC 78678841048

Physical

Color - Cable Jacket Yellow
 Drop Connector Mini-Change®
 Drop Gender Male
 Keyway Single
 LED Indicator No
 Left Trunk Connector Mini-Change®
 Left Trunk Gender Female
 Leg 1 Length N/A
 Leg 2 Length N/A
 Length 0.066m
 Material - Cable Jacket N/A
 Material - Connector Body PVC
 Material - Coupling Nut Die-Cast Zinc
 Poles 3
 Right Trunk Connector N/A
 Right Trunk Gender N/A
 Temperature Range - Operating -20°C to +80°C

Electrical

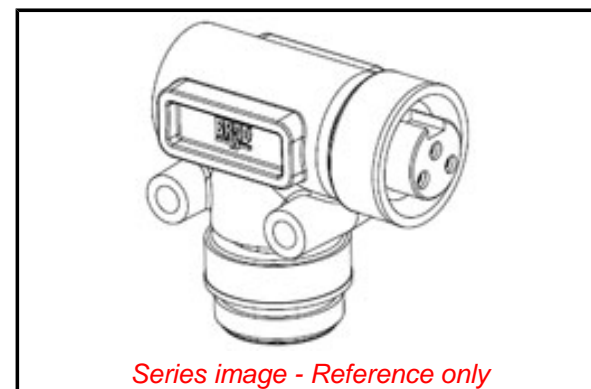
Current - Maximum per Contact 10.0A
 Voltage - Maximum 600V AC/DC

Material Info

Old Part Number 41048

Reference - Drawing Numbers

Sales Drawing SD-130018-004



Series image - Reference only

EU ELV

Not Relevant

EU RoHS

Not Reviewed

REACH SVHC

Not Reviewed

Halogen-Free

Status

Not Reviewed

Need more information on product environmental compliance?

Email productcompliance@molex.com
 Please visit the [Contact Us](#) section for any non-product compliance questions.

China ROHS

Not Reviewed

ELV

Not Relevant

Search Parts in this Series

[130018 Series](#)