

**PLEASE CHECK WWW.MOLEX.COM FOR LATEST PART INFORMATION**

**Part Number:** [1300180206](#)  
**Status:** **Active**  
**Overview:** Brad® Mini-Change® Connectors  
**Description:** Mini-Change 3 Pole 90° Adapter, Female to Male

**Documents:**

[Drawing \(PDF\)](#) [RoHS Certificate of Compliance \(PDF\)](#)

**Agency Certification**

CSA LR6837  
 UL E152210

**General**

Product Family Industrial Tees and Splitters  
 Series [130018](#)  
 IP Rating IP67  
 Overview [Brad® Mini-Change® Connectors](#)  
 Product Name Mini-Change®  
 Type Drop Tee  
 UPC 78678841048

**Physical**

Color - Cable Jacket Yellow  
 Drop Connector Mini-Change®  
 Drop Gender Male  
 Keyway Single  
 LED Indicator No  
 Left Trunk Connector Mini-Change®  
 Left Trunk Gender Female  
 Leg 1 Length N/A  
 Leg 2 Length N/A  
 Length 0.066m  
 Material - Cable Jacket N/A  
 Material - Connector Body PVC  
 Material - Coupling Nut Die-Cast Zinc  
 Poles 3  
 Right Trunk Connector N/A  
 Right Trunk Gender N/A  
 Temperature Range - Operating -20°C to +80°C

**Electrical**

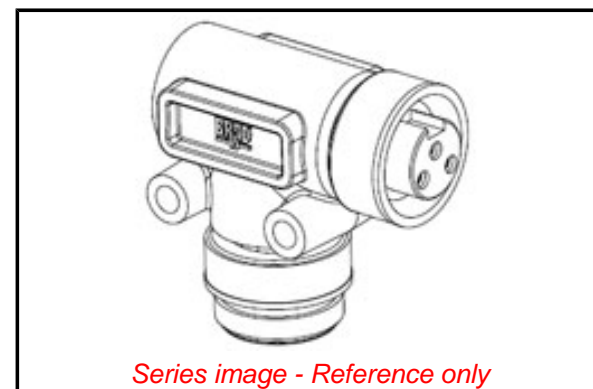
Current - Maximum per Contact 10.0A  
 Voltage - Maximum 600V AC/DC

**Material Info**

Old Part Number 41048

**Reference - Drawing Numbers**

Sales Drawing SD-130018-004



*Series image - Reference only*

**EU ELV**

**Not Relevant**

**EU RoHS**

**Not Reviewed**

**REACH SVHC**

Not Reviewed

**Halogen-Free**

**Status**

**Not Reviewed**

**Need more information on product environmental compliance?**

Email [productcompliance@molex.com](mailto:productcompliance@molex.com)  
 Please visit the [Contact Us](#) section for any non-product compliance questions.

China ROHS

Not Reviewed

ELV

Not Relevant

**Search Parts in this Series**

[130018 Series](#)