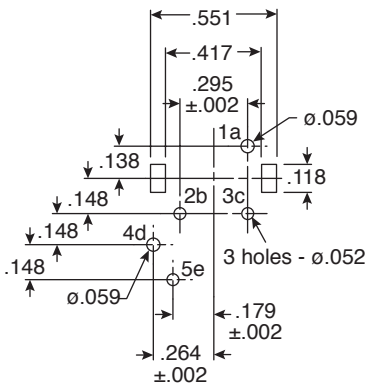
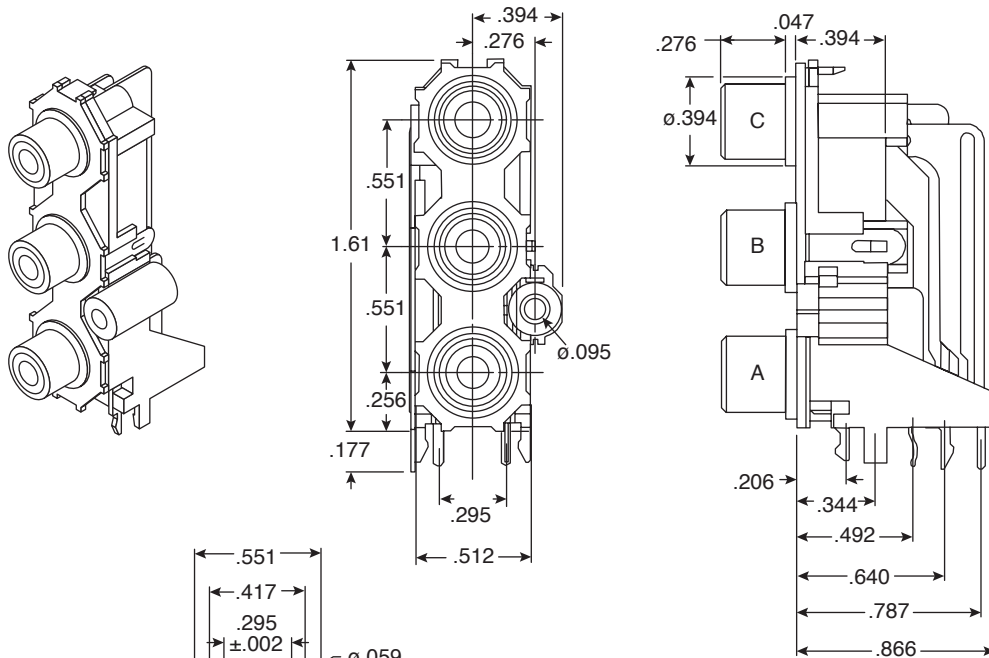


Triple Phono Jacks

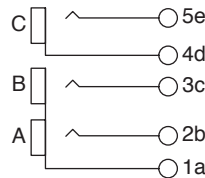
161-4319-E, 161-4320-E, 161-4322-E



Triple Phono Jacks



PCB Hole Layout
(Bottom View)



Circuit Diagram

Dimensions: In.

MOUSER STOCK NO.	Colors		
	A	B	C
161-4319-E	Red	White	Yellow
161-4320-E	Red	Green	Blue
161-4322-E	Red	White	Orange

SPECIFICATIONS

Type:	Vertical Mount Triple Phono
Rating:	2A/34VDC or 34VAC
Temperature:	-25°C ~ +70°C
Contact Resistance:	≤30mΩ
Withstand Voltage:	500VAC for 1 Minute
Insulation Resistance:	≥100MΩ @ 500VDC
Insertion / Extraction Force:	.3Kgf ~ 4Kgf
Wave Soldering Temp.:	230±5° for 3 seconds with 2±.5mm Dip
Terminals:	Tin Plated Brass
Bushing:	Nickel Plated Brass
Housing, Insulation:	ABS

Date Last Revised: 5-31-06

Available from Mouser Electronics
1-800-346-6873
www.mouser.com

KC-300966

161-4319-E, 161-4320-E, 161-4322-E