

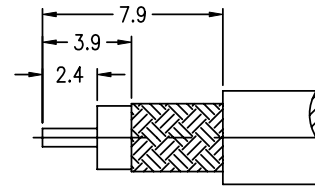
NOTES:

1. MATERIALS AND FINISHES:
 - BODY - BRASS, NICKEL PLATING
 - CONTACT - BRASS, SILVER PLATING
 - INSULATOR - PTFE, NATURAL
2. ELECTRICAL:
 - A. IMPEDANCE: 50 OHM
 - B. FREQUENCY RANGE: DC 0-4 GHz
 - C. DIELECTRIC WITHSTANDING VOLTAGE: 1500 VRMS, MIN.
3. MECHANICAL:
 - A. DURABILITY: 500 CYCLES MIN.
 - B. TEMPERATURE RANGE: -65°C to +165°C

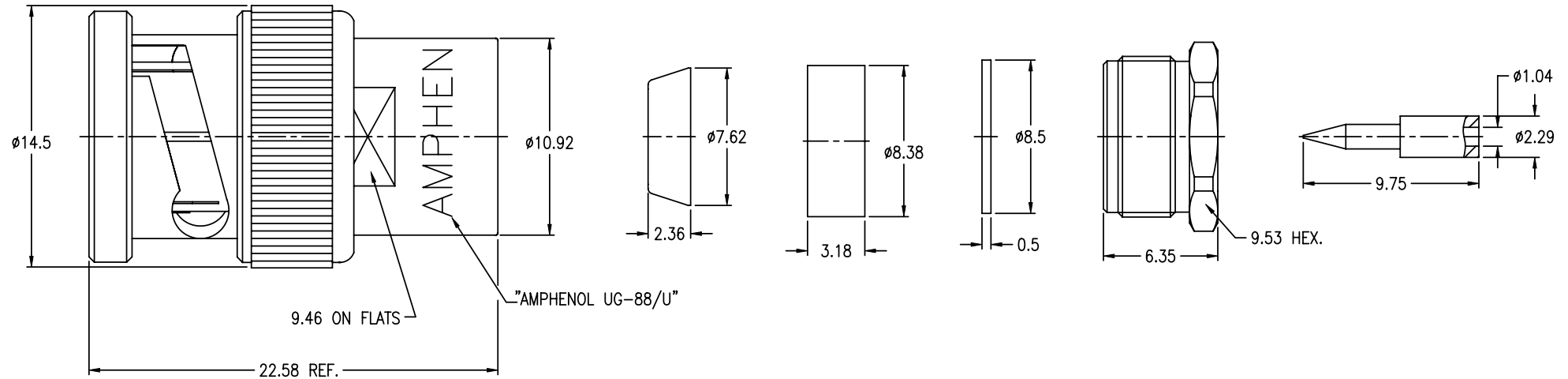
THIRD ANGLE PROJ.

REVISIONS

REV	DESCRIPTION	DATE	ECO	APPR
A1	SEE SHEET 1	15-Nov-02	--	RICHER
A2	SEE SHEET 1	24-Mar-04	--	JACKEY
A3	SEE SHEET 1	31-Mar-04	--	JACKEY
B	SEE SHEET 1	06-Mar-08	--	AW
AE	SEE SHEET 1	11-Sep-08	47242	SH
AF	STAMP "AMPHENOL" WAS "74868"\RD-DM11120601R3	26-Dec-11	48843	SH



RECOMMENDED CABLE STRIPPING DIM'S



CUSTOMER OUTLINE DRAWING

ALL OTHER SHEETS ARE FOR INTERNAL USE ONLY

UNLESS OTHERWISE SPECIFIED, DIMENSIONS ARE IN METRIC AND TOLERANCES ARE:
 0.5 - 6mm ±0.1mm 6 - 30mm ±0.2mm 30 - 120mm ±0.3mm ANGLES ±1°

NOTICE - These drawings, specifications, or other data (1) are, and remain the property of Amphenol Corp. (2) must be returned upon request; and (3) are confidential and not to be disclosed to any person other than those to whom they are given by Amphenol Corp. The furnishing of these drawings, specifications, or other data by Amphenol Corp., or to any other person to anyone for any purpose is not to be regarded by implication or otherwise in any manner licensing, granting rights or permitting such holder or any other person to manufacture, use or sell any product, process or design, patented or otherwise, that may in any way be related to or disclosed by said drawings, specifications, or other data.

MATERIAL	DRAWN	R.MAO	DATE	12-Dec-11	TITLE	BNC CLAMP PLUG (FOR RG-58/U, 141/U,142/U,400/U)			Amphenol RF	
	ENGINEER	C.WANG	DATE	06-Mar-08		Danbury CT USA, Tainan Taiwan, Shenzhen China www.amphenolrf.com				
REFERENCE	APPROVED	S.HSIEH	DATE	12-Dec-11	SCALE: 3/1	SHEET	2 OF 2		DRAWING NO.	31-2
	FINISH	F:\DWG\CNPD\31\2-AFSZ			DWG SIZE	B	CODE ID	74868	REV	AF
					ITEM NO.	31-2		PART NO.	31-2	