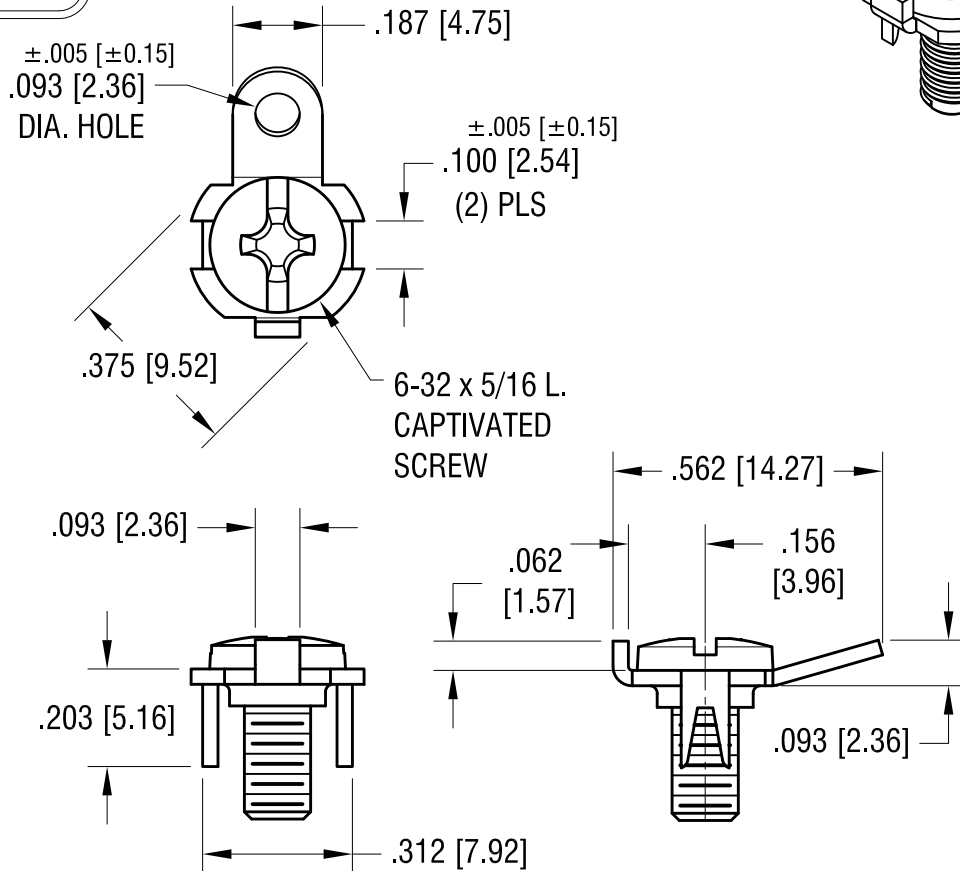
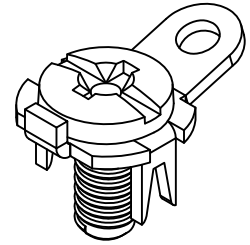
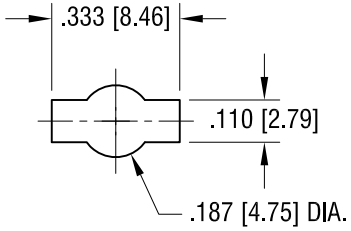


THIS DOCUMENT IS THE PROPERTY OF  
KEYSTONE ELECTRONICS CORP. AND  
SHALL NOT BE REPRODUCED, DISTRIBUTED  
OR USED AS A BASIS FOR MANUFACTURE  
WITHOUT PRIOR WRITTEN PERMISSION  
FROM KEYSTONE ELECTRONICS CORP.

**MOUNTING DETAIL**



**NOTE:**

- 1. TERMINAL: MAT'L: .032 [0.81] TH'K STEEL  
FINISH: MATTE TIN PLATE
- SCREW: MAT'L: STEEL  
FINISH: NICKEL PLATE

**KEYSTONE ELECTRONICS CORP.**

www.keyelco.com • ASTORIA, N.Y. 11105-2017 • Tel (718) 956-8900

PART NAME		SCREW TERMINAL, SOLDER TAB	
MATERIAL		AS NOTED	
FINISH	AS NOTED	DRN BY	BOONE
		APP'D	LN
		DATE	12.28.99
		SCALE	2.5X
TOLERANCES	INCH [MM]	CODE	DWG NO.
DECIMAL	± .015 [± 0.38]	C/M	
ANGULAR	± 1°		
UNLESS OTHERWISE SPECIFIED			<b>1232</b>

7.16.09	CHANGE AS PER ECN 09-108	A
DATE	DESCRIPTION	REV.