

Copyright FCI.  
FCI

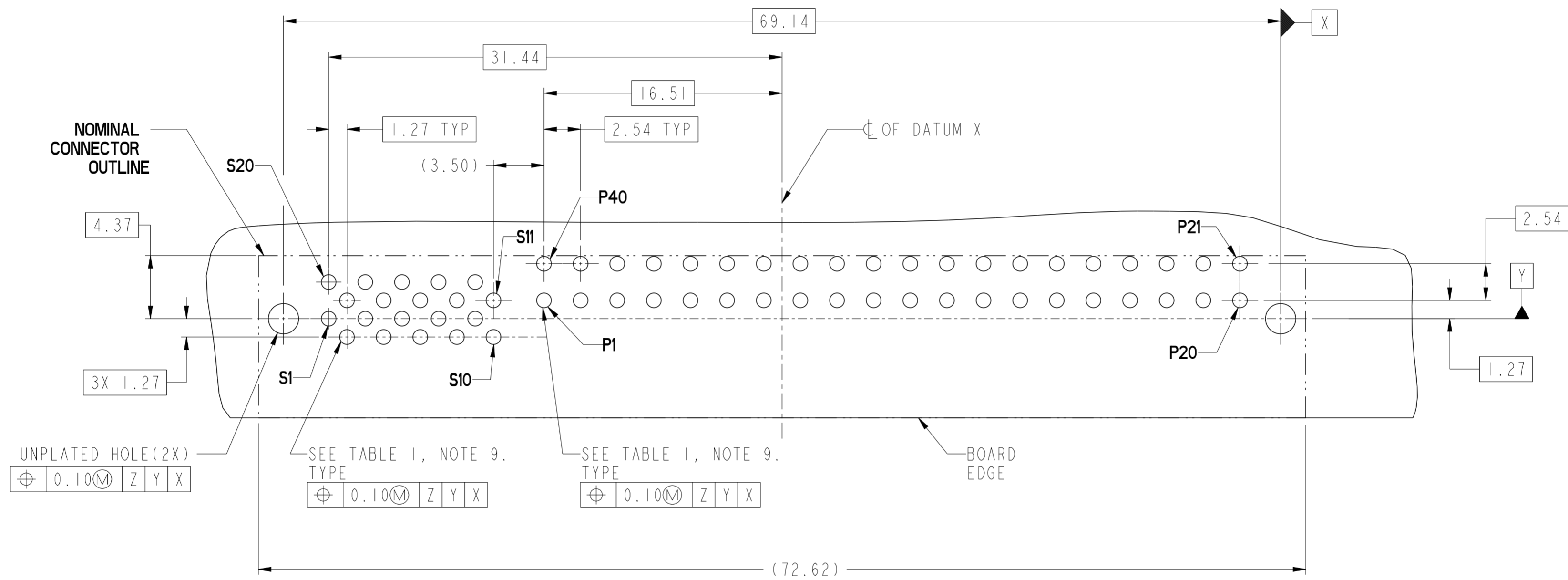
spec ref	-	dr	Wei-Long Zhang	2012/09/27	projection	MM	size	A2	scale	4:1
tolerance std	ISO 406 ISO 1101	eng	Hai-Ling Liu	2015/06/16			ecn no	-	rel level	Released
TOLERANCES UNLESS OTHERWISE SPECIFIED		chr	Terris Liu	2015/06/15						
surface	ISO 1302	appr	Pai-Ming Zheng	2015/06/16	product family		dwg no	10122876	rev	A
	linear	0.X	±0.5		R/A RECT (20S-40P)		Product - Customer Drw sheet 1 of 4			
		0.XX	±0.25		HIGH POWER CARD EDGE					
	angular	0°	±2°		cat. no.					

PDS: Rev :A

STATUS:Released

Printed: Jun 16, 2015

CONTACT TYPE	TOP LAYER DESCRIPTION	TABLE 1 (HPCE / SOLDER TAILS) PLATED THROUGH-HOLE REQUIREMENTS				
		DRILLED HOLE DIAMETER	COPPER THICKNESS	TIN-LEAD THICKNESS	TIN THICKNESS	FINISHED HOLE DIAMETER
POWER & SIGNAL	TIN-LEAD	1.10-1.16 (1.15 DRILL)	0.025 - 0.050	0.005 - 0.015	--	0.94 - 1.10
	IMMERSION TIN	1.10-1.16 (1.15 DRILL)	0.025 - 0.050	--	0.9 - 1.5um	0.94 - 1.10
	COPPER (SEE NOTE 8)	1.10-1.16 (1.15 DRILL)	0.025 - 0.050	--	--	0.94 - 1.10

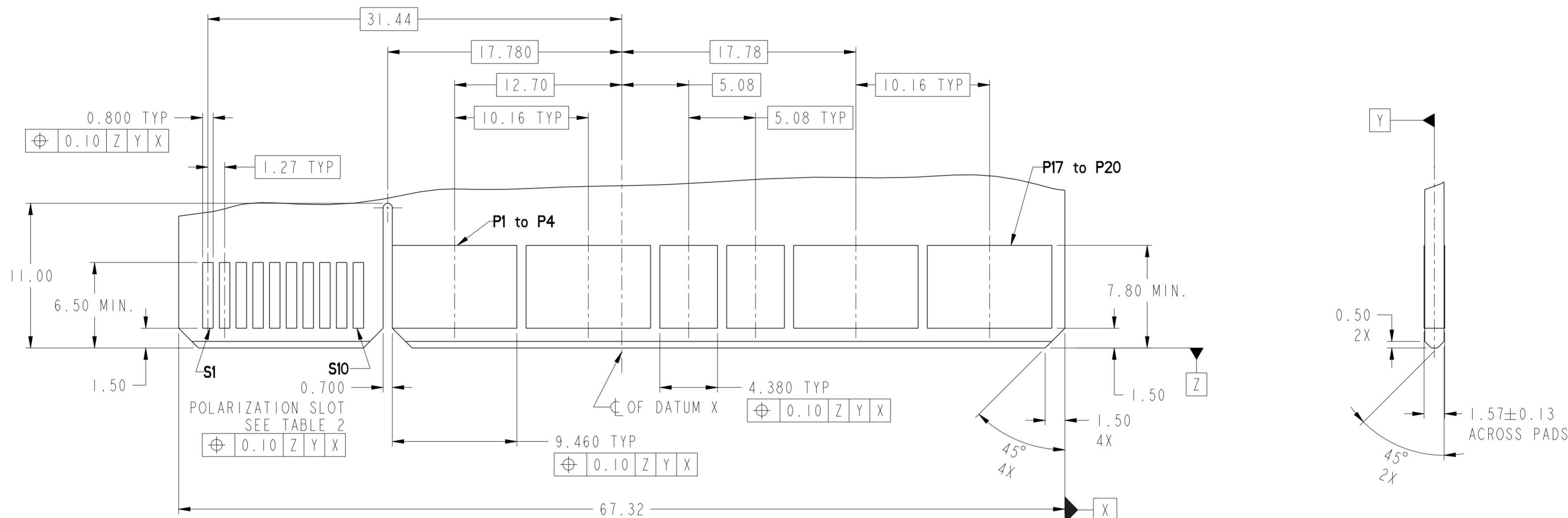


## RECOMMENDED PCB LAYOUT

spec ref	-	dr	Wei-Long Zhang	2012/09/27	projection	MM	size	A2	scale	4:1
tolerance std	ISO 406 ISO 1101	eng	Hai-Ling Liu	2015/06/16			ecn no	-	rel level	Released
TOLERANCES UNLESS OTHERWISE SPECIFIED		chr	Terris Liu	2015/06/15						
surface	ISO 1302	appr	Pai-Ming Zheng	2015/06/16	product family		dwg no	10122876	rev	A
linear	0.X ±0.5 0.XX ±0.25 0.XXX ±0.10	www.fci.com		cat. no.	Product - Customer Drw		sheet 2 of 4			
angular	0° ±2°	PDS: Rev :A		STATUS:Released		Printed: Jun 16, 2015				



Copyright FCI.

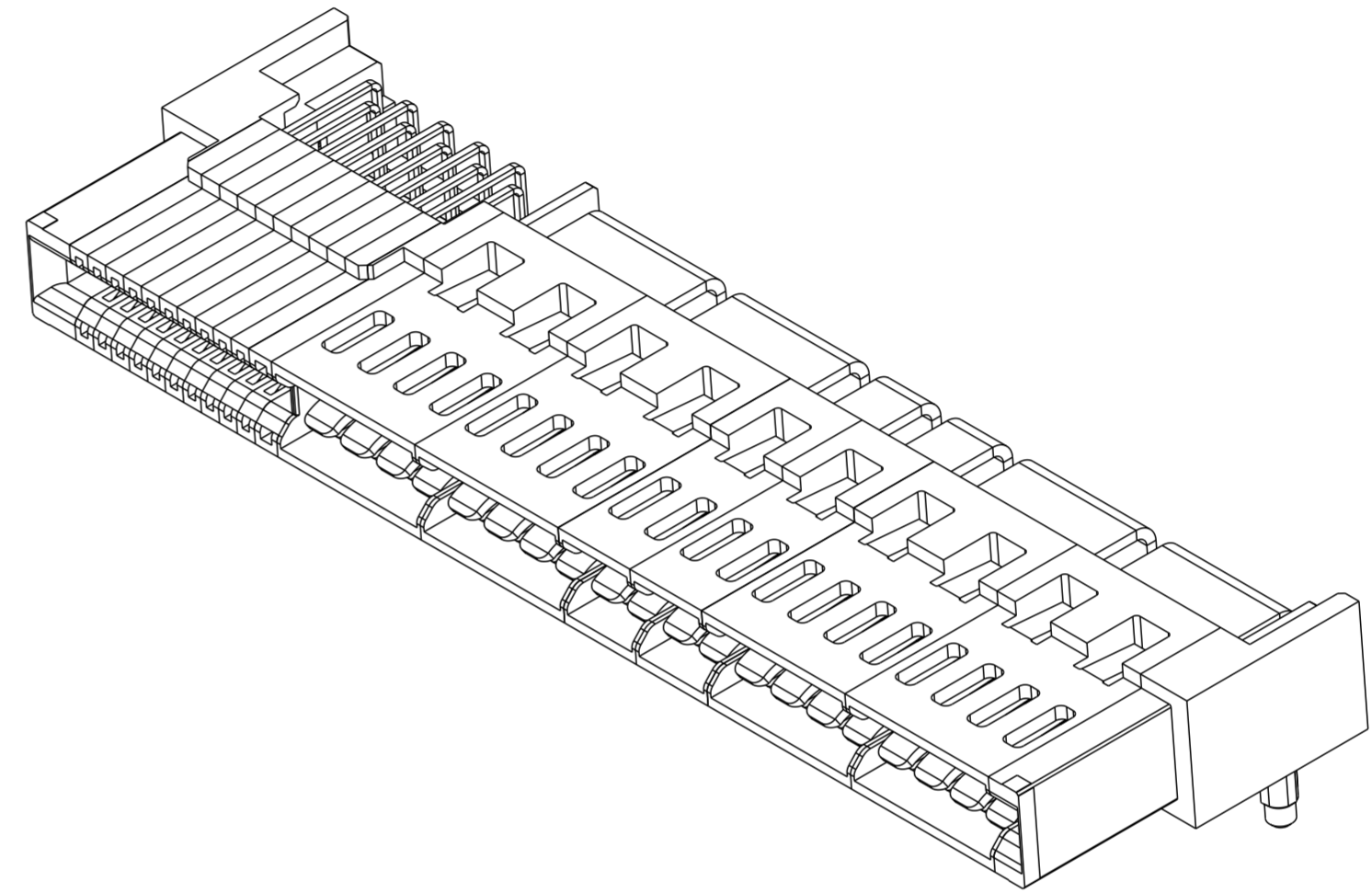


## RECOMMENDED MATING BOARD FOOT PRINT

spec ref -		dr Wei-Long Zhang	2012/09/27	projection	MM	size A2	scale 4:1										
tolerance std ISO 406 ISO 1101		eng Hai-Ling Liu	2015/06/16			ecn no -											
TOLERANCES UNLESS OTHERWISE SPECIFIED		chr Terris Liu	2015/06/15			rel level Released											
surface ISO 1302		appr Pei-Ming Zheng	2015/06/16	product family		rev A											
<table border="1" style="font-size: small;"> <tr> <td rowspan="3">linear</td> <td>0.X</td> <td>±0.5</td> </tr> <tr> <td>0.XX</td> <td>±0.25</td> </tr> <tr> <td>0.XXX</td> <td>±0.10</td> </tr> <tr> <td>angular</td> <td>0°</td> <td>±2°</td> </tr> </table>		linear	0.X	±0.5	0.XX	±0.25	0.XXX	±0.10	angular	0°	±2°			title R/A RECT (20S-40P) HIGH POWER CARD EDGE		dwg no 10122876	
linear	0.X		±0.5														
	0.XX		±0.25														
	0.XXX	±0.10															
angular	0°	±2°															
www.fci.com		cat. no.		Product - Customer Drw		sheet 3 of 4											

HPCE PART NUMBER (TABLE 2)

PART NUMBER	TAIL TYPE	HOLD-DOWN OPTION	ORIENTATION KEY	DIM "A" TAIL LENGTH
10122876-001LF	SOLDER TAIL	NO	YES	3.25±0.25
10122876-002LF			NO	
10122876-003LF		YES	YES	
10122876-004LF			NO	
10122876-005LF		NO	YES	2.60±0.25
10122876-006LF			NO	
10122876-007LF		YES	YES	
10122876-008LF			NO	



NOTES:

- CONNECTOR MATERIALS:  
 HOUSING: HIGH TEMPERATURE THERMAL PLASTIC, BLACK  
 UL 94V-0 COMPLIANT  
 CONTACTS: HIGH PERFORMANCE COPPER ALLOY.
- CONTACT FINISH REF. GS-12-604 SECTION 5.2.
- PRODUCT SPECIFICATION: GS-12-604.
- APPLICATION SPECIFICATION: GS-20-128.
- PRODUCT MARKING (FCI - PART NUMBER & DATE CODE) ON HOUSING IN AREA SHOWN.
- PACKAGING MEETS FCI SPECIFICATION GS-14-937.
- HOUSING COMPONENT WILL WITHSTAND EXPOSURE TO 260°C PEAK TEMPERATURE FOR 60 SECONDS IN A CONVECTION, INFRA-RED, OR VAPOR PHASE REFLOW OVEN.
- COPPER PLATING THICKNESS IN CENTER OF VIA-HOLE CAN BE NO MORE THAN 0.003 LESS THAN OTHER AREAS.
- ALL HOLE SIZES ARE FINISHED HOLE SIZES.
- MOUNTING HOLES ARE UNPLATED  
 $\varnothing 2.18 \pm 0.03$  FOR SOLDER TAILS
- A  $\triangle$  SYMBOL WILL BE NEXT TO ANY DIMENSIONS, VIEW OR NOTE WHICH HAS BEEN MODIFIED WITH THE CURRENT DRAWING REVISION.

spec ref	-	dr	Wei-Long Zhang	2012/09/27	projection	MM	size	A2	scale	4:1	
tolerance std	ISO 406 ISO 1101	eng	Hai-Ling Liu	2015/06/16			ecn no	-	rel level		Released
surface	ISO 1302	chr	Terris Liu	2015/06/15			product family			cat. no.	10122876
		appr	Pei-Ming Zheng	2015/06/16			R/A RECT (20S-40P) HIGH POWER CARD EDGE		Product - Customer Drw		sheet 4 of 4