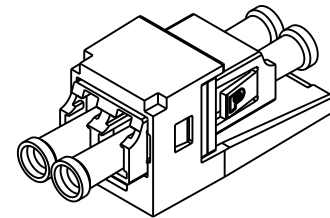
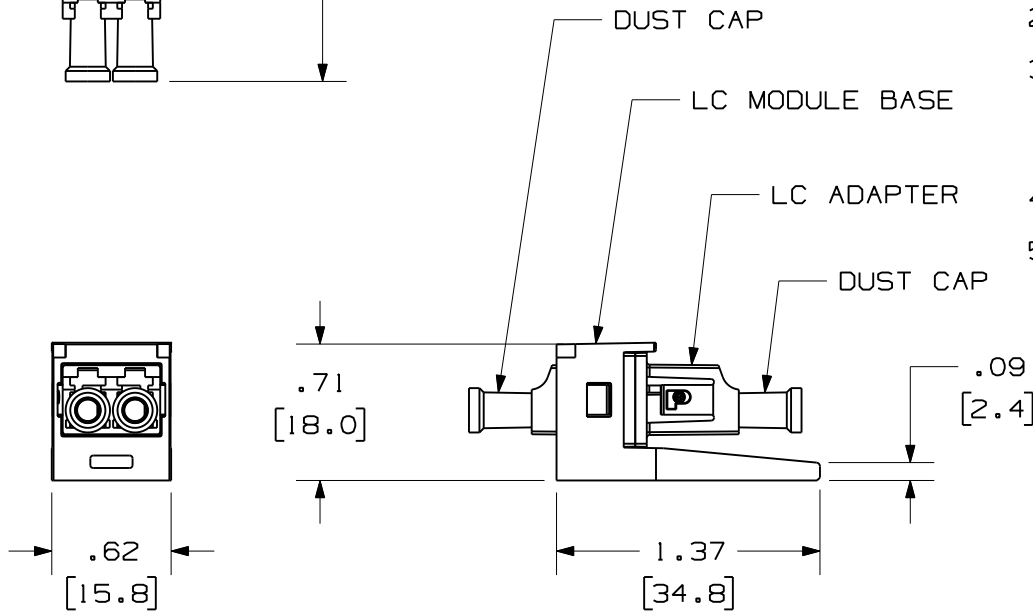
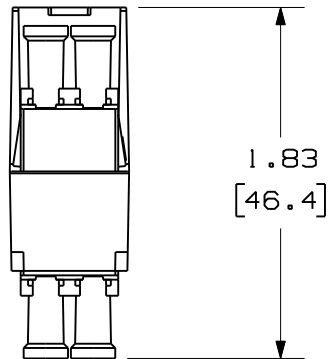


THIS COPY IS PROVIDED ON A RESTRICTED BASIS AND IS NOT TO BE USED IN ANY WAY DETRIMENTAL TO THE INTERESTS OF PANDUIT CORP.

PANDUIT P/N	WEIGHT	SPLIT SLEEVE TYPE
CMDSLC**	.10 lbs/10 Pcs	PHOS BRONZE
CMDSAQLC**	[44.7 g/10 Pcs]	
CMDSLCZ**	.10 lbs/10 Pcs	ZIRCONIA
CMDSAQLCZ**	[44.4 g/10 Pcs]	



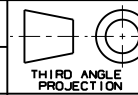
NOTES:

- SEE CURRENT CATALOG FOR PART NUMBER SUFFIXES TO INDICATE COLOR OF MODULE BASE, AND/OR PACKAGE QUANTITIES.
- SEE CATALOG FOR COMPLETE LIST OF PARTS APPLICABLE FOR USE WITH THIS PART.
- MATERIALS:
 - MODULE BASE: ABS
 - ADAPTER HOUSING: PLASTIC
 - SPLIT SLEEVE: SEE TABLE
 - DUST CAP: PLASTIC
- COMPATIBLE WITH TIA/EIA-604-10 (FOCIS-10) AND TIA/EIA-568B.3
- DIMENSIONS IN BRACKETS ARE METRIC [mm]

MINI-COM LC SENIOR/SENIOR
 DUPLEX FIBER OPTIC ADAPTER MODULE
 CUSTOMER DRAWING



PANDUIT™
 CORP.
 TINLEY PARK, ILL 60477



ALL DIMENSIONS ARE GIVEN IN INCHES, UNLESS OTHERWISE SPECIFIED.
 DIMENSIONAL TOLERANCES ARE:
 (.X) ±.03 | (.XXX) ±.010 | (.3) ANGLES

DRAWING FILENAME: M00948AJ_DC_00B.prt
 SCALE: NONE

DRAWN BY: MC

REVIEW DRAWING NUMBERS

PART NO. SEE TABLE

DATE: 06-26-03

SEE NOTES

DRAWING NO. 00948-17

CHK'D: KWR

SIZE: A

REV	DATE	BY	CHK	DESCRIPTION	ECN	R	CUST	SUP	OTH
1	03-11-05	MC		RELEASED TO PRODUCTION	00948-17				