

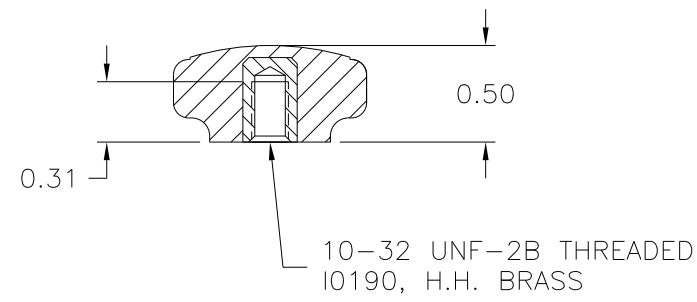
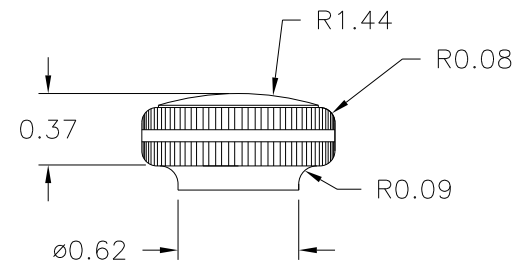
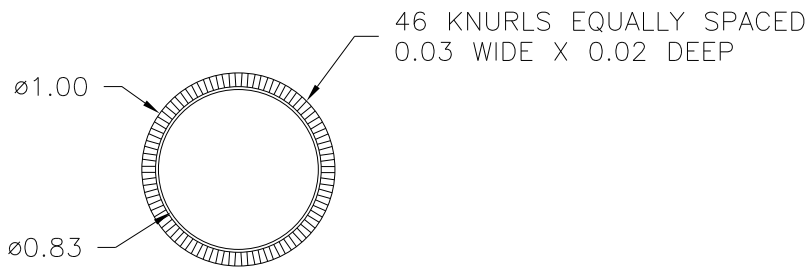
PART NAME: KNOB SCALE: 1:1 DATE: 6/24/75 DR. BY NH

THIS DRAWING IS THE PROPERTY OF DAVIES MOLDING COMPANY, IS SUBMITTED SOLELY AS A DESIGN OR ENGINEERING PROJECT. WE ACCEPT NO RESPONSIBILITY WHATSOEVER FOR THE PRACTICAL APPLICATION OF THE PIECES MADE TO THIS DESIGN.



DESIGNERS & MANUFACTURERS OF KNOBS, HANDLES, CASES & CUSTOM PLASTIC COMPONENTS

P/N	3065-D
M ^{NO.}	1475
CAVITY	3065
PLUNGER	3065
SHIMS	1 & 2
SPACER	3065
PIN	2965-BW
INSERT	10190
PLUNGER KEY	1/4x1/4x7/16
CAVITY KEY	1/4x1/4x1/2



Ⓐ
MATERIAL: G.P. PHENOLIC (B11)
COLOR: BLACK

TOLERANCES: UNLESS OTHERWISE SPECIFIED	DO NOT SCALE DRAWING	-	RE-DID REDRAW	TL	12/1/99
DECIMALS: X.XXX ± .005 X.XX ± .015	MM: X.XX ± 0.15MM X.X ± 0.4MM	A	WAS 732-16 BLUE	HD	10/7/97
FRACTIONS ± 1/64	ANG. ± 1°	-	CAD REDRAW	HD	6/24/94
CHANGES					