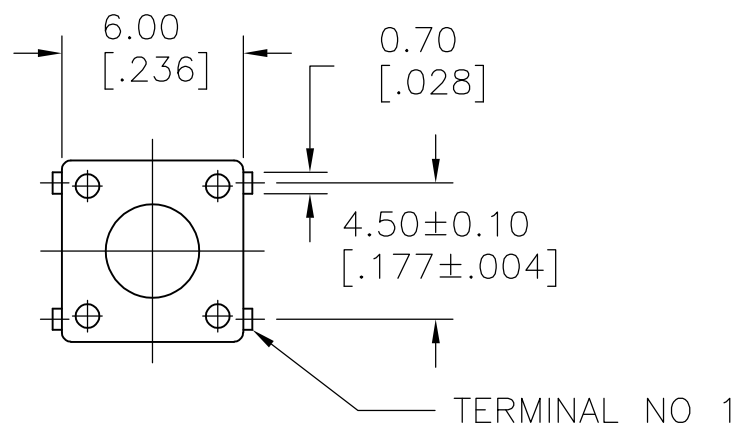
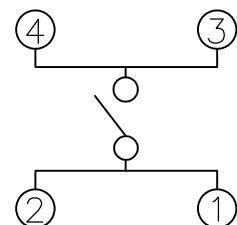


THIS DRAWING IS UNPUBLISHED. RELEASED FOR PUBLICATION
 © COPYRIGHT BY TYCO ELECTRONICS CORPORATION. ALL INTERNATIONAL RIGHTS RESERVED.

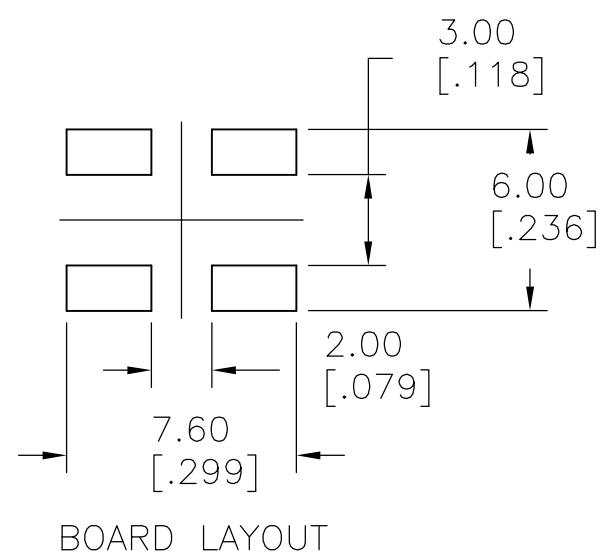
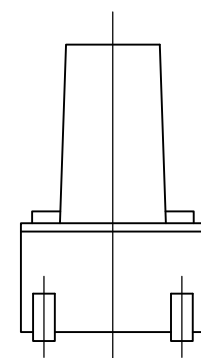
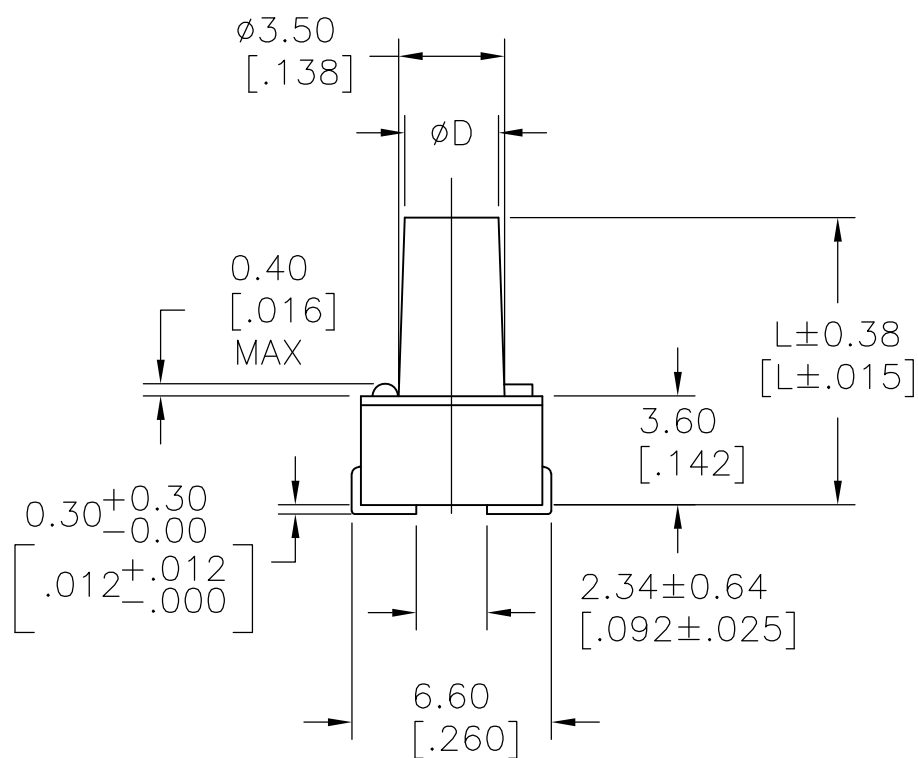
LOC	DIST	REVISIONS					
		P	LTR	DESCRIPTION	DATE	DWN	APVD
—	—	A		REVISED PER ECO-10-026316	06JAN11	HMR	NE



CIRCUIT DIAGRAM



- ACTUATOR TRAVEL: $0.25^{+0.2}_{-0.1}$ [$.010^{+.008}_{-.004}$].
- CONTACT RESISTANCE: 100mΩ MAX.
- ELECTRICAL RATING: 12VDC @ 50mA MAX.
- OPERATING TEMP: -20° TO 70°C
45-85% RH
- STORAGE TEMP: -30°C TO 80°C.
(96 HOURS MAX @ CONTINUOUS TEMP OF -20°C TO -30°C AND 70°C TO 80°C).
- OPERATING LIFE: 100,000 CYCLES.
- RIGHT AND LEFT VARIATION HAVE TO BE IN 0.10[.004] AFTER TERMINAL BENDING.

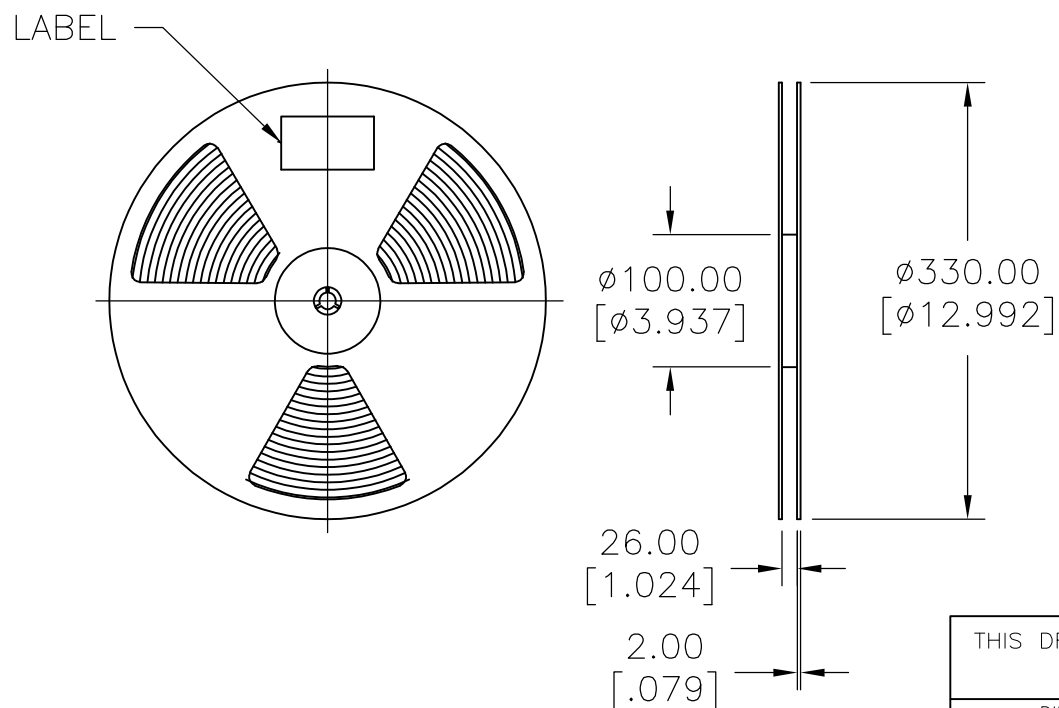
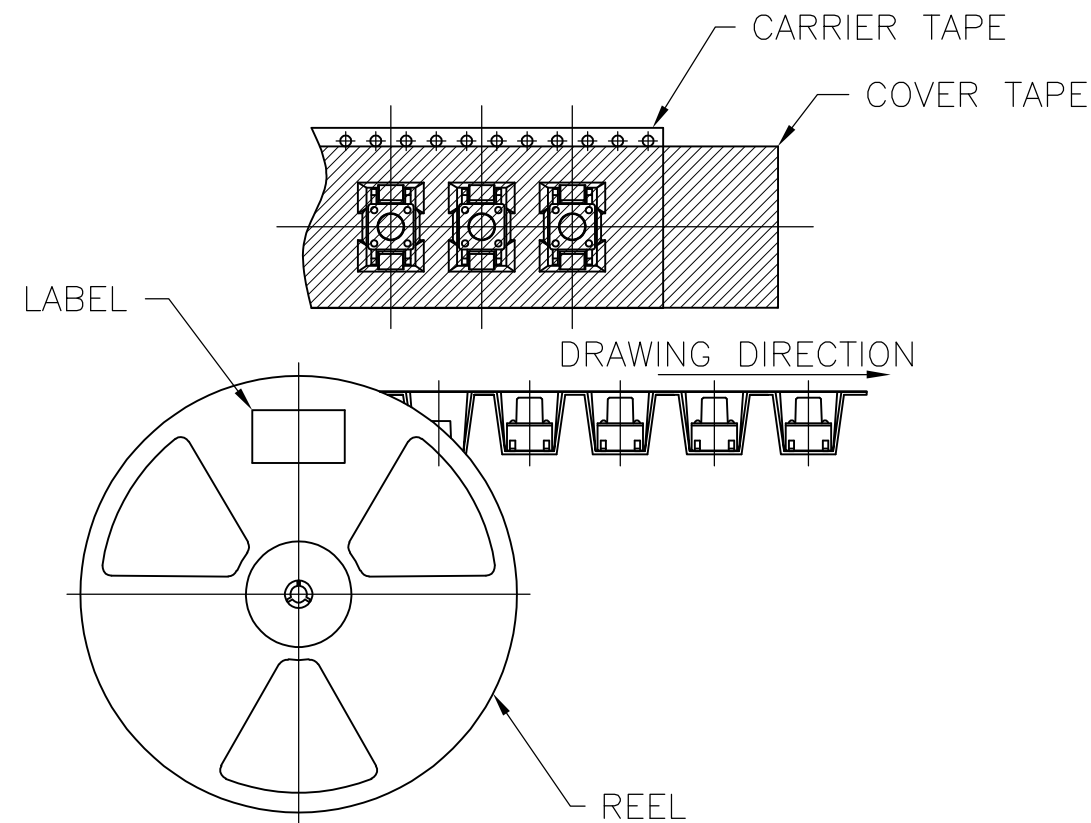
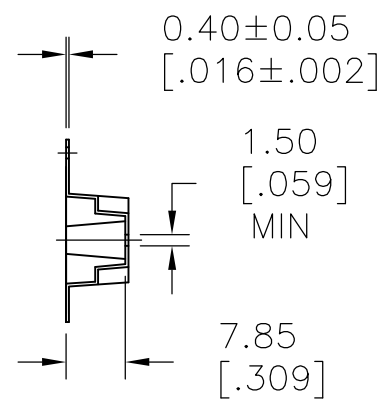
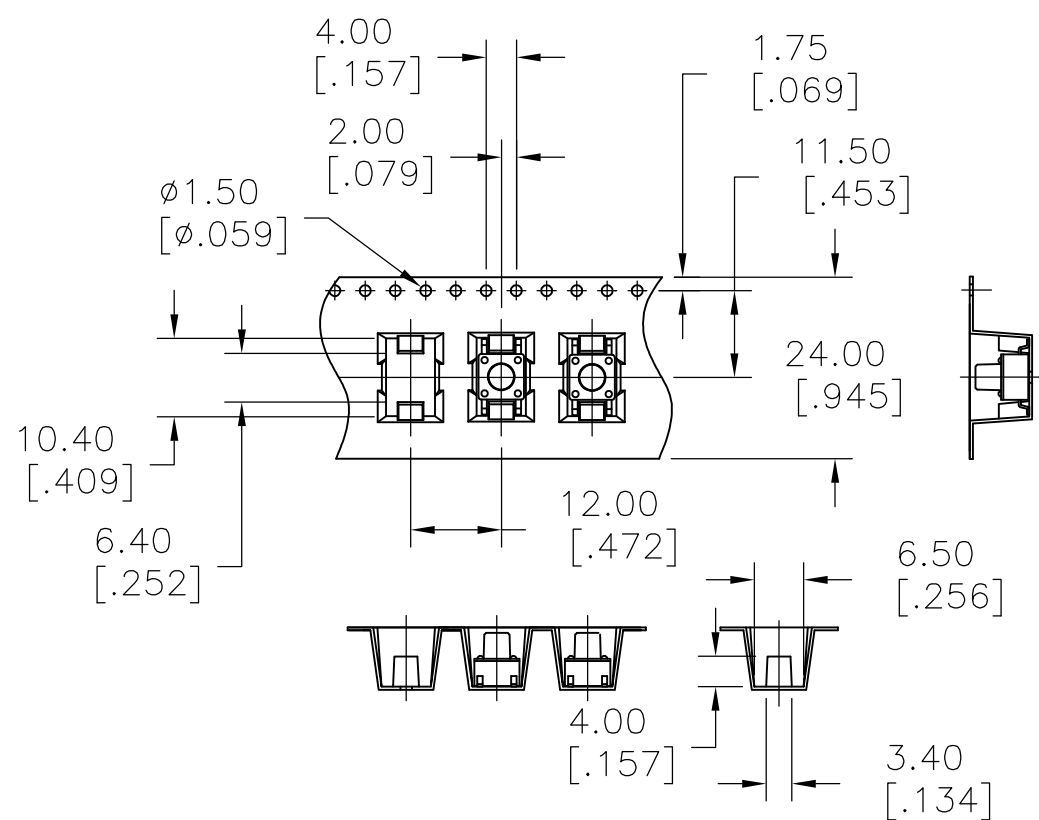


BULK	160±50gf	BLACK	3.10[.122]	9.50[.375]	1977764-2
TAPE & REEL	160±50gf	BLACK	3.10[.122]	9.50[.375]	1977764-1
PACKAGE	O/FORCE	STEM COLOR	D(ø)	L	PART NO

THIS DRAWING IS A CONTROLLED DOCUMENT.		DWN RAGHAVENDRA 13DEC10	Tyco Electronics Corporation Harrisburg, PA 17105-3608		
DIMENSIONS: mm [INCHES]		CHK EPPLEY NAZ 13DEC10	NAME		
TOLERANCES UNLESS OTHERWISE SPECIFIED:		APVD EPPLEY NAZ 13DEC10	TACT SWITCH, J-LEADS		
0 PLC ± -		PRODUCT SPEC	SIZE CAGE CODE DRAWING NO RESTRICTED TO		
1 PLC ± -		APPLICATION SPEC	A3 00779 C-1977764		
2 PLC ± 0.3[.012]		WEIGHT -	SCALE 4:1 SHEET 1 OF 2 REV A		
3 PLC ± -		CUSTOMER DRAWING			
4 PLC ± -					
ANGLES ± -					
MATERIAL -					
FINISH -					

THIS DRAWING IS UNPUBLISHED. RELEASED FOR PUBLICATION
 © COPYRIGHT BY TYCO ELECTRONICS CORPORATION. ALL INTERNATIONAL RIGHTS RESERVED.

LOC	DIST	REVISIONS					
		P	LTR	DESCRIPTION	DATE	DWN	APVD
-	-	-	-	SEE SHEET 1	-	-	-



THIS DRAWING IS A CONTROLLED DOCUMENT.		DWN RAGHAVENDRA 13DEC10	Tyco Electronics Corporation Harrisburg, PA 17105-3608	
DIMENSIONS: mm [INCHES]		CHK EPPLEY NAZ 13DEC10	NAME	
TOLERANCES UNLESS OTHERWISE SPECIFIED:		APVD EPPLEY NAZ 13DEC10	TACT SWITCH, J-LEADS	
0 PLC ± -		PRODUCT SPEC	SIZE	CAGE CODE
1 PLC ± -		APPLICATION SPEC	A3	00779
2 PLC ± -		WEIGHT	DRAWING NO	RESTRICTED TO
3 PLC ± 0.3[.012]		-	C-1977764	-
4 PLC ± -		CUSTOMER DRAWING	SCALE 1:1	SHEET 2 OF 2
ANGLES ± -				REV A
FINISH				