

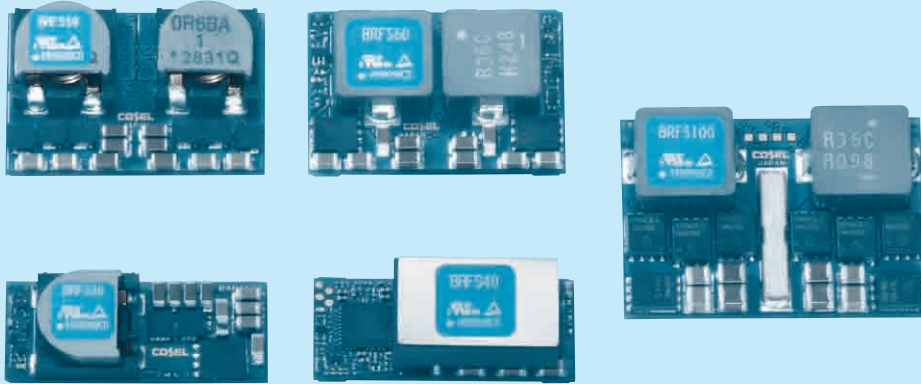
BRFS

BRF S 50 L -□

① ② ③ ④ ⑤



RoHS



- ① Series name
- ② Single output
- ③ Output current
30:30A
40:40A
50:50A
60:60A
100:100A
- ④ Type
Blank : Standard type
L : Low profile type (only 50A)
- ⑤ Optional
R : Positive logic remote on/off
I : POWERGOOD (only BRFS30/40)
*Other models has POWERGOOD function normally.
P : Parallel operation (only BRFS40)

BRFS

| MODEL | BRFS30 | BRFS40 | BRFS50 | BRFS50L | BRFS60 | BRFS100 |
|-----------------------|-------------|------------|------------|------------|------------|------------|
| MAX OUTPUT CURRENT[A] | 30.0 | 40.0 | 50.0 | 50.0 | 60.0 | 100.0 |
| DC OUTPUT | 0.8 - 3.63V | 0.6 - 2.0V | 0.7 - 2.0V | 0.7 - 2.0V | 0.7 - 2.0V | 0.7 - 2.0V |

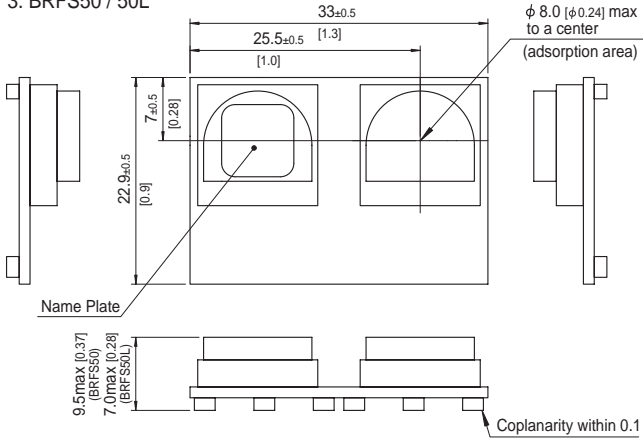
SPECIFICATIONS

| | MODEL | BRFS30 | BRFS40 | BRFS50 | BRFS50L | BRFS60 | BRFS100 |
|-------------------------------|---|---|---|--|--|--|---|
| INPUT | VOLTAGE[V] | DC4.5 - 14.0 | | | | | |
| | CURRENT[A] | *1 3.41 typ | 4.52 typ | 5.68 typ | 5.68 typ | 6.82 typ | 11.24 typ |
| | EFFICIENCY[%] | *1 88 typ | 88.5 typ | 88 typ | 88 typ | 88 typ | 88 typ |
| OUTPUT | VOLTAGE[V] | *2 0.8 - 3.63 | 0.6 - 2.0 | 0.7 - 2.0 | 0.7 - 2.0 | 0.7 - 2.0 | 0.7 - 2.0 |
| | CURRENT[A] | 30 | 40 | 50 | 50 | 60 | 100 |
| | LINE REGULATION[mV] | 5 | | | | | |
| | LOAD REGULATION[mV] | 5 | | | | | |
| | RIPPLE[mVp-p] | *3 25 | | | | | |
| | RIPPLE NOISE[mVp-p] | *3 50 | | | | | |
| | OUTPUT VOLTAGE SETTING [%Vo] | ±1 | | | | | |
| | DRIFT[mV] | *4 5 | | | | | |
| | START-UP TIME[ms] | 8.0 typ | | | | | |
| | OUTPUT VOLTAGE ADJUSTMENT RANGE [V] | Adjustable by external resistor | | | | | |
| | | 0.8 - 3.63 | 0.6 - 2.0 | 0.7 - 2.0 | 0.7 - 2.0 | 0.7 - 2.0 | 0.7 - 2.0 |
| | OUTPUT VOLTAGE TOTAL REGULATION [%Vo]*5 | ±3 | | | | | |
| PROTECTION CIRCUIT AND OTHERS | OVERCURRENT PROTECTION | Works over 105% of rating (auto recovery type) | | | | | |
| | REMOTE SENSING | Available (+S only) | | Available | | | |
| | REMOTE ON/OFF | Available Negative logic L:ON, H:OFF | | | | | |
| ISOLATION | INPUT-OUTPUT | non-isolated | | | | | |
| ENVIRONMENT | OPERATING TEMP., HUMID. AND ALTITUDE | -40 to +85°C, 20-95%RH (Non condensing) (Refer to DERATING CURVE) 3,000m (10,000feet) max | | | | | |
| | STORAGE TEMP., HUMID. AND ALTITUDE | -40 to +100°C, 20-95%RH (Non condensing), 9,000m (30,000feet) max | | | | | |
| | VIBRATION | 10-55Hz, 49.0m/s ² (5G), 3minutes period, 60minutes each along X, Y and Z axis | | | | | |
| | IMPACT | 196.1m/s ² (20G), 11ms, once each along X, Y and Z axis | | | | | |
| SAFETY | AGENCY APPROVALS | UL60950-1, C-UL (CSA60950-1), EN60950 | | | | | |
| OTHERS | CASE SIZE/WEIGHT | 33.0×9.5×13.5mm [1.3×0.37×0.53 inches] (W×H×D) / 10g max | 33.0×10.9×13.5mm [1.3×0.43×0.9 inches] (W×H×D) / 12g max | 33.0×9.5×22.9mm [1.3×0.37×0.9 inches] (W×H×D) / 15g max | 33.0×7.0×22.9mm [1.3×0.28×0.9 inches] (W×H×D) / 12g max | 33.0×8.0×22.9mm [1.3×0.31×0.9 inches] (W×H×D) / 15g max | 38.0×8.5×27.7mm [1.5×0.33×1.09 inches] (W×H×D) / 22g max |
| | COOLING METHOD | Convection / Forced air | | | | | |

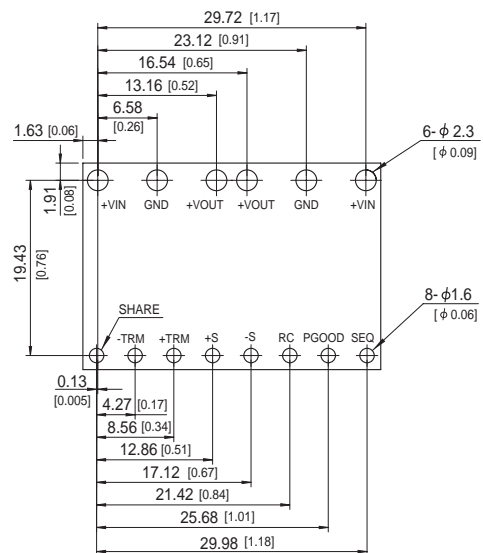
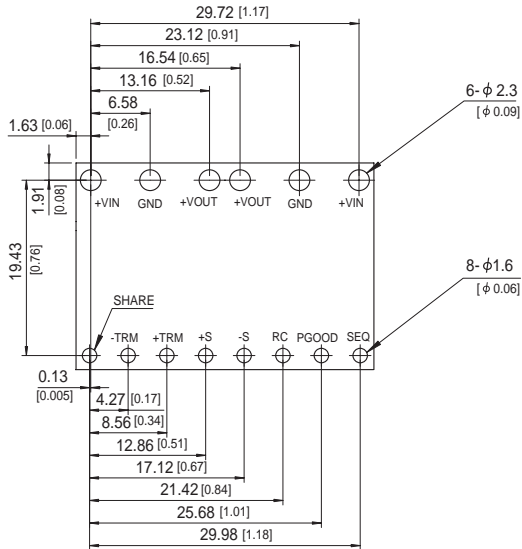
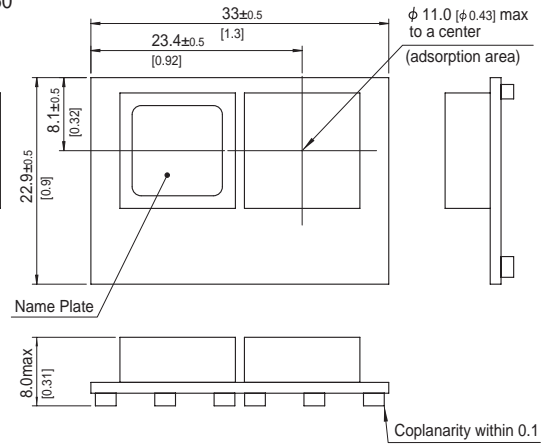
*1 AT rated input (DC12V) and rated output (1.2V) Ta=25°C.
 *2 Output voltage is adjusted to the minimum when TRM is opened.
 *3 Ripple and ripple noise is measured by using measuring board with ceramic capacitor at 50mm from output pin.
 *4 Drift is the change in DC output for an eight hour period after a half - hour warm - up at 25°C, with the input voltage held.
 *5 Output voltage setting is added line regulation and load regulation and temperature regulation used resistance of the 0.5% tolerance.

External view

3. BRFS50 / 50L

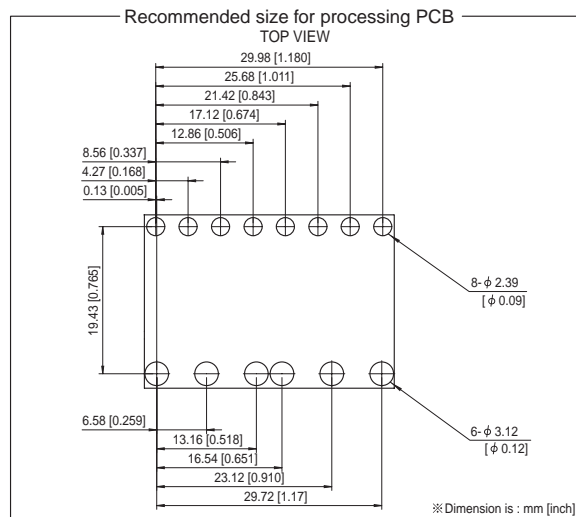


4. BRFS60



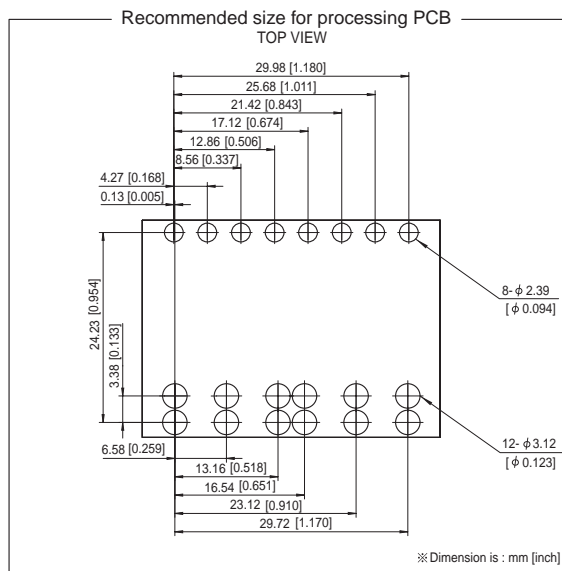
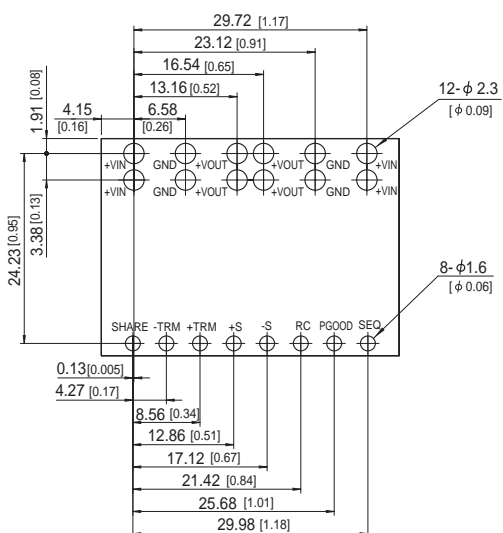
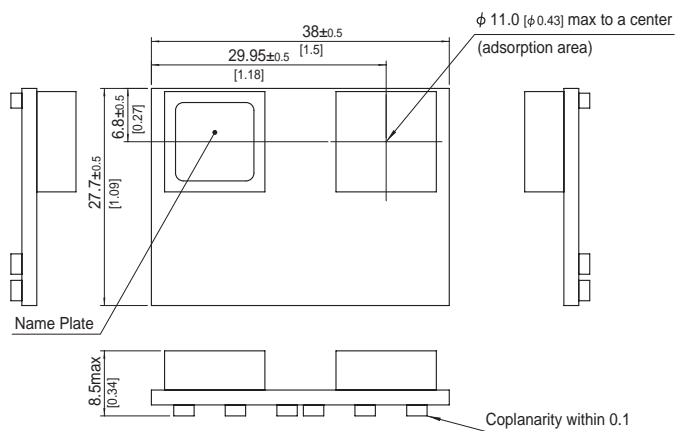
- ※ Tolerance : ±0.3 [±0.012]
- ※ Dimensions in mm, []=inches
- ※ Weight : 15g max (BRFS50)
12g max (BRFS50L)
- ※ Terminal material : copper
- ※ Plating treatment of terminal : Lead free plating

- ※ Tolerance : ±0.3 [±0.012]
- ※ Dimensions in mm, []=inches
- ※ Weight : 15g max
- ※ Terminal material : copper
- ※ Plating treatment of terminal : Lead free plating



External view

5. BRFS100



- ※ Tolerance : ±0.3 [±0.012]
- ※ Dimensions in mm, []=inches
- ※ Weight : 22g max
- ※ Terminal material : copper
- ※ Plating treatment of terminal : Lead free plating

Mouser Electronics

Authorized Distributor

Click to View Pricing, Inventory, Delivery & Lifecycle Information:

Cosel:

[BRFS50](#) [BRFS30](#) [BRFS40](#) [BRFS100](#) [BRFS50L](#) [BRFS60](#)