

Halogen Cycle G4 BI-PIN

28 SERIES

- HALOGEN CYCLE G4 BI-PIN NON-GROUNDED LAMP HOLDERS
- 6" WIRE LEADS OR 3/16" TAB TERMINALS
- HEAT RESISTANT CERAMIC HOUSING
- MAXIMUM RATING: 50 WATTS, 14 VOLTS

Overview

The 28 Series lampholders are designed for low profile horizontal mounting. Lampholders feature a high heat resistant ceramic housing and two 6" wire leads or two 0.187"(3/16") tab terminals. Standard units feature two clearance holes to accept #1 screws. Units are non-grounded and are designed for use in low voltage halogen applications with G4 bi-pin halogen lamps.

Specifications

Housing: ceramic.

Contacts: nickel plated phosphor bronze.

Wire Leads:

6" Leads: #18 AWG, white, UL3135, UL/CSA rated 200° C, stripped 1/2". Non-grounded units are supplied with two 6" wire leads. Custom wire lengths, stripping, termination and wire types are also available.

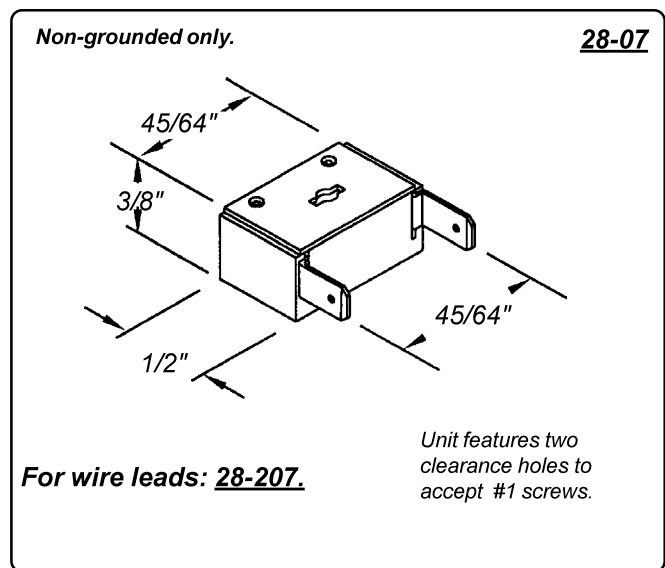
Terminals:

3/16" tabs: nickel plated phosphor bronze, 3/16" length x 0.013"thick. Non-grounded units are supplied with two 3/16" tab terminals.

Mounting:

brackets: .025" to .032" zinc plated steel. Custom brackets and plating types are available.

Maximum rating: 50 Watts, 14 Volts.



Can't find it here? We have many more standard and custom solutions

The items in this product sheets are only a small representative sample of the complete VCC product line. We manufacture many additional products which are not shown in this product sheet due to space constraints.

Custom products can also be designed uniquely for you by our Technical Support Professionals. Starting from your ideas and specifications, we work with your personnel to develop timely and cost effective solutions for your miniature lighting needs.

VCC Technical Support Services are provided without charge and may include designs, prototypes and pre-production samples.

For further information, phone Customer Service at 800.522.5546.