

# 4.5mm Diameter Flat Heat Pipes



Part Numbers 121725, 121726, 121728, 121729

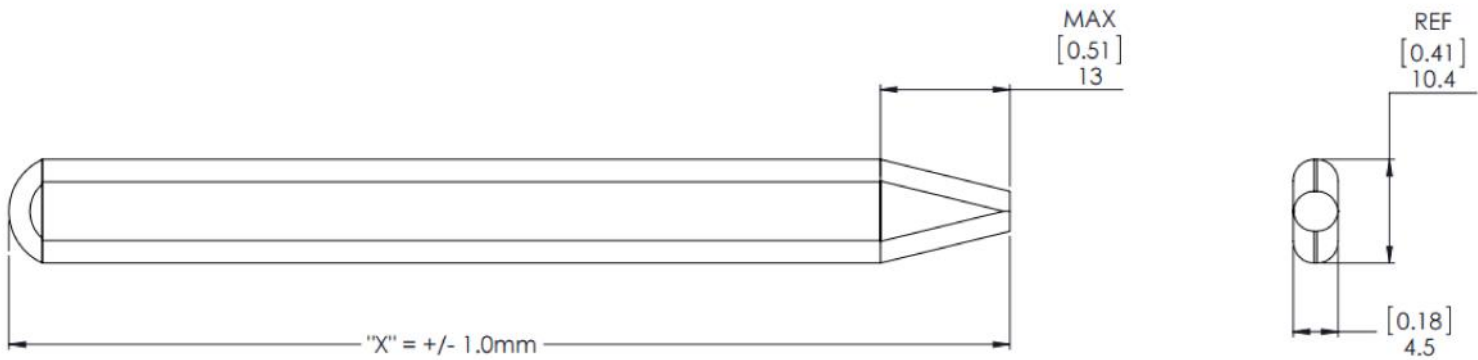
Wakefield- Vette's high performance heat pipes are used in many applications in various industries. Some applications include: Automotive, Consumer Electronics, LED Lighting, Medical, High Power Semi Conductors, Aerospace, & Defense.

In these applications the heat pipe is used to transfer heat with minimal temperature difference from one area to another or across a specific surface material.



- Material: Copper
- Wick Structure: Powder Sintered Copper
- Light Weight
- Versatile with high thermal performance

W-V PN	"X" LENGTH
121725_rev 1	100mm (3.94")
121726_rev 1	150mm (5.91")
121727_rev 1	200mm (7.87")
121728_rev 1	250mm (9.84")
121729_rev 1	300mm (11.81")



Thermal Cooling Solutions from Smart to Finish

[www.wakefield-vette.com](http://www.wakefield-vette.com)