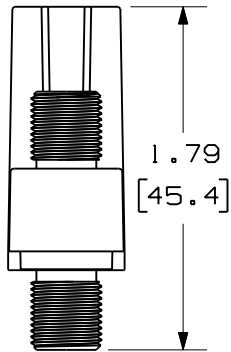
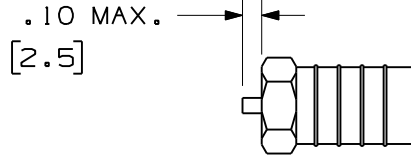


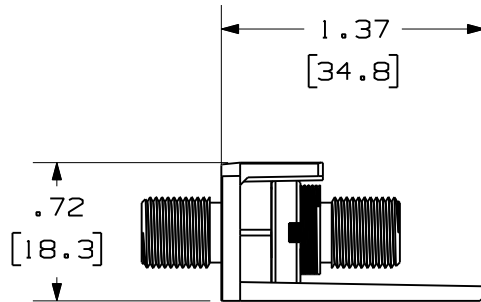
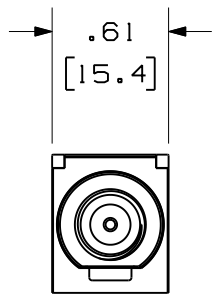
THIS COPY IS PROVIDED ON A RESTRICTED BASIS AND IS NOT TO BE USED IN ANY WAY DETRIMENTAL TO THE INTERESTS OF PANDUIT CORP.



F-TYPE PLUG  
(NOT INCLUDED)



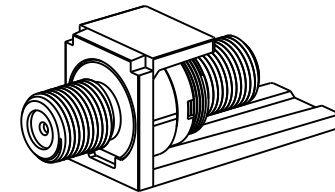
CENTER CONDUCTOR  
SHALL NOT EXCEED  
DIMENSION SHOWN ABOVE.



PANDUIT P/N	WEIGHT
CMFSR**Y	.40 LB/10 PCS (181.3 g/10 PCS)

NOTES:

- SEE CURRENT CATALOG FOR ADDITIONAL PART NUMBER SUFFIXES TO INDICATE COLOR AND OR PACKAGE QUANTITY.
- SEE CATALOG FOR COMPLETE LIST OF PARTS APPLICABLE FOR USE WITH THIS PART.
- DIMENSIONS IN ( ) ARE IN METRIC.
- PART INCLUDES:
  - 1- MODULE BASE
  - 1- SELF TERMINATING F-TYPE COUPLER (ASSEMBLED TO MODULE BASE)
  - 1- SPANNER NUT (ASSEMBLED TO MODULE BASE)



MODEL FILENAME	M00790AC_SELFTERM/00	SIZE	A
DRAWING FILENAME	M02479GV_DC180/00B		

MINI-COM SELF TERMINATING F-TYPE  
MODULE CUSTOMER DRAWING

<p>PANDUIT<sup>TM</sup> CORP. TINLEY PARK, ILL 60477</p>	I.I. NUMBER	N/A
	PRODUCT SPEC	N/A
<p>THIRD ANGLE PROJECTION</p>	WORK INSTRUCTION	N/A
	SCALE	NONE
DRAWN BY	MATERIAL:	PART NO.
DATE	COUPLER- NICKEL PLATED MODULE BASE- ABS	CMFSR**Y
CHK'D		DRAWING NO.
		02479-180

REV	DATE	BY	CHK	DESCRIPTION	ECN	R	CUST	SUP	OTH
I	5-21-09	JsP	TCK	A. ADDED VIEW OF F-TYPE PLUG WITH CUT LENGTH DETAILS.	02479-180	TCK	TCK		TCK
R	8-8-06	JsP	MJD	RELEASED TO PRODUCTION	02479-180	MJD	MJD		MJD