

THIS DRAWING IS UNPUBLISHED. RELEASED FOR PUBLICATION
 © COPYRIGHT copyright.d8Te- ALL RIGHTS RESERVED.

REVISIONS				
P	LTR	DESCRIPTION	DATE	APVD
B		ECR-16-010100 UPDATE NAME	14JUL2016	L.Z X.X

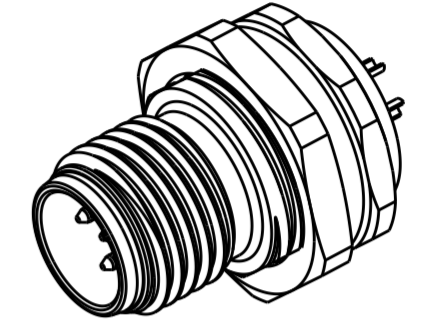
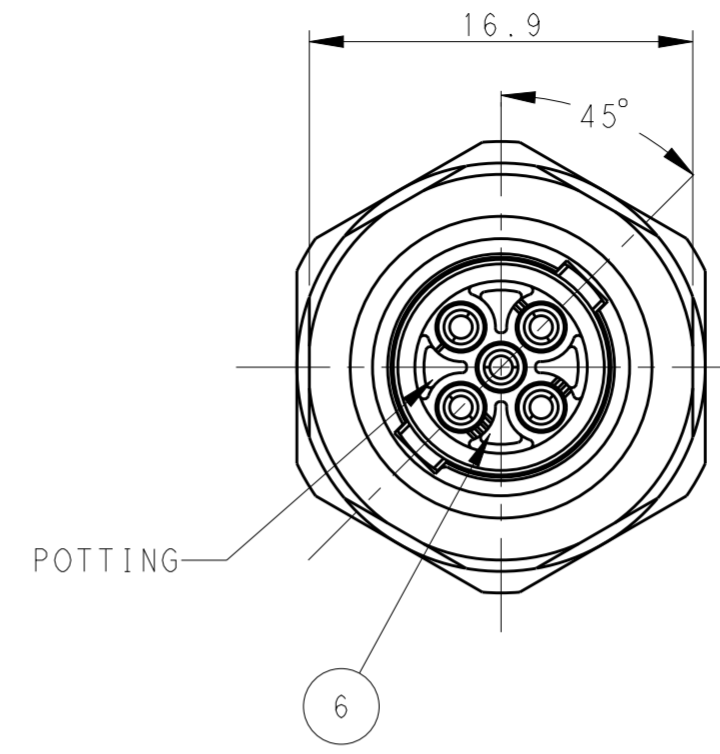
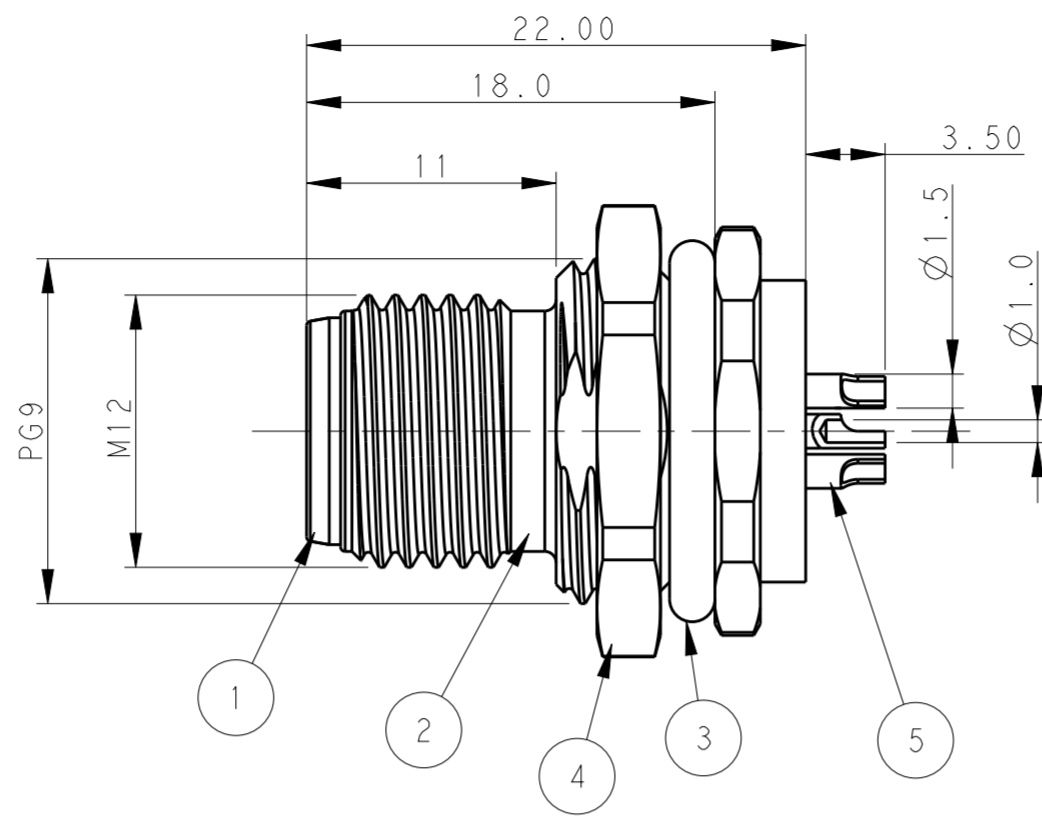
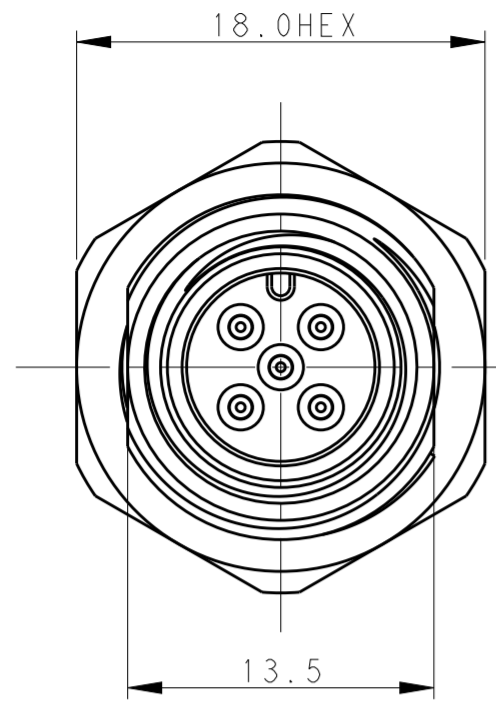


TABLE 1

TECHNICAL DATA	T4130012021-000	T4130012031-000	T4130012041-000	T4130012051-000
RATED VOLTAGE	250V	250V	250V	60V
RATED CURRENT	4A	4A	4A	4A
POLLUTION DEGREE	3	3	3	3
OVERVOLTAGE CATEGORY	II	II	II	II
MATERIAL GROUP	II	II	II	II
CONTACT RESISTANCE	<=10mΩ	<=10mΩ	<=10mΩ	<=10mΩ
INSULATION RESISTANCE	>100MΩ	>100MΩ	>100MΩ	>100MΩ
DEGREE OF PROTECTION	IP67	IP67	IP67	IP67
OPERATION TEMPEATURE	-40~85°C	-40~85°C	-40~85°C	-40~85°C

NOTE:
 1. TECHNICAL DATA: SEE TABLE 1
 2. RECOMMENDED MOUNT PANEL SEE DETAIL
 3. PRODUCT COMPLIES WITH IEC61076-2-101
 4. PLASTIC INERT MATERIAL:UL LISTED WITH UL94V0 FLAME RATING
 5. ALL MATERIALS TO BE ROHS COMPLIANT
 6. ALL MATERIALS TO BE REACH COMPLIANT
 7. PN INFORMATION FOR ASSEMBLY PARTS

注释:
 1: 技术参数, 见表1
 2: 推荐开孔尺寸详见如图所示
 3: 产品符合标准 IEC61076-2-101
 4: 塑胶材料符合 UL 标准, UL-94V0 阻燃等级
 5: 所有材料符合 ROHS 参照标准 TEC-138-705
 6: 所有材料符合 REACH 参照标准 TEC-138-705
 7: 成品料号信息如下:

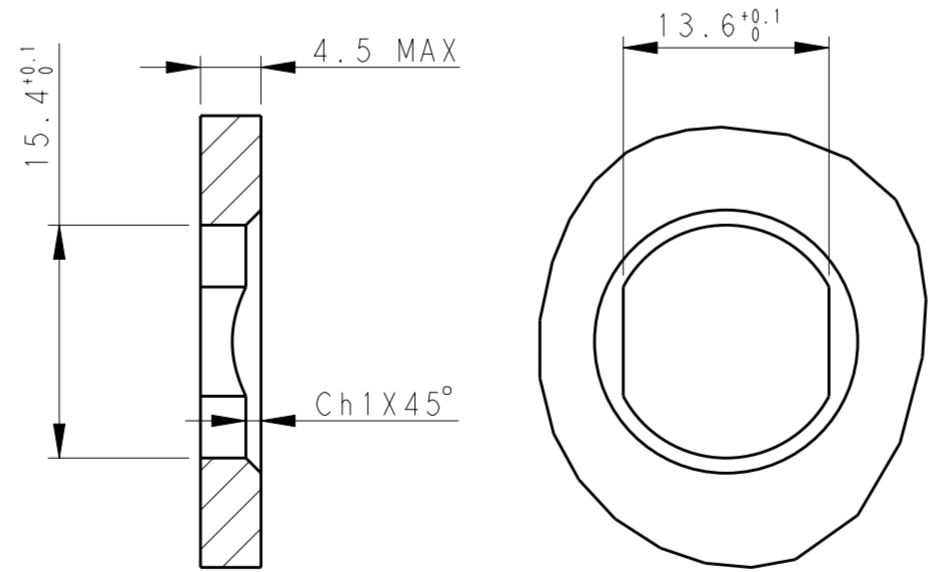
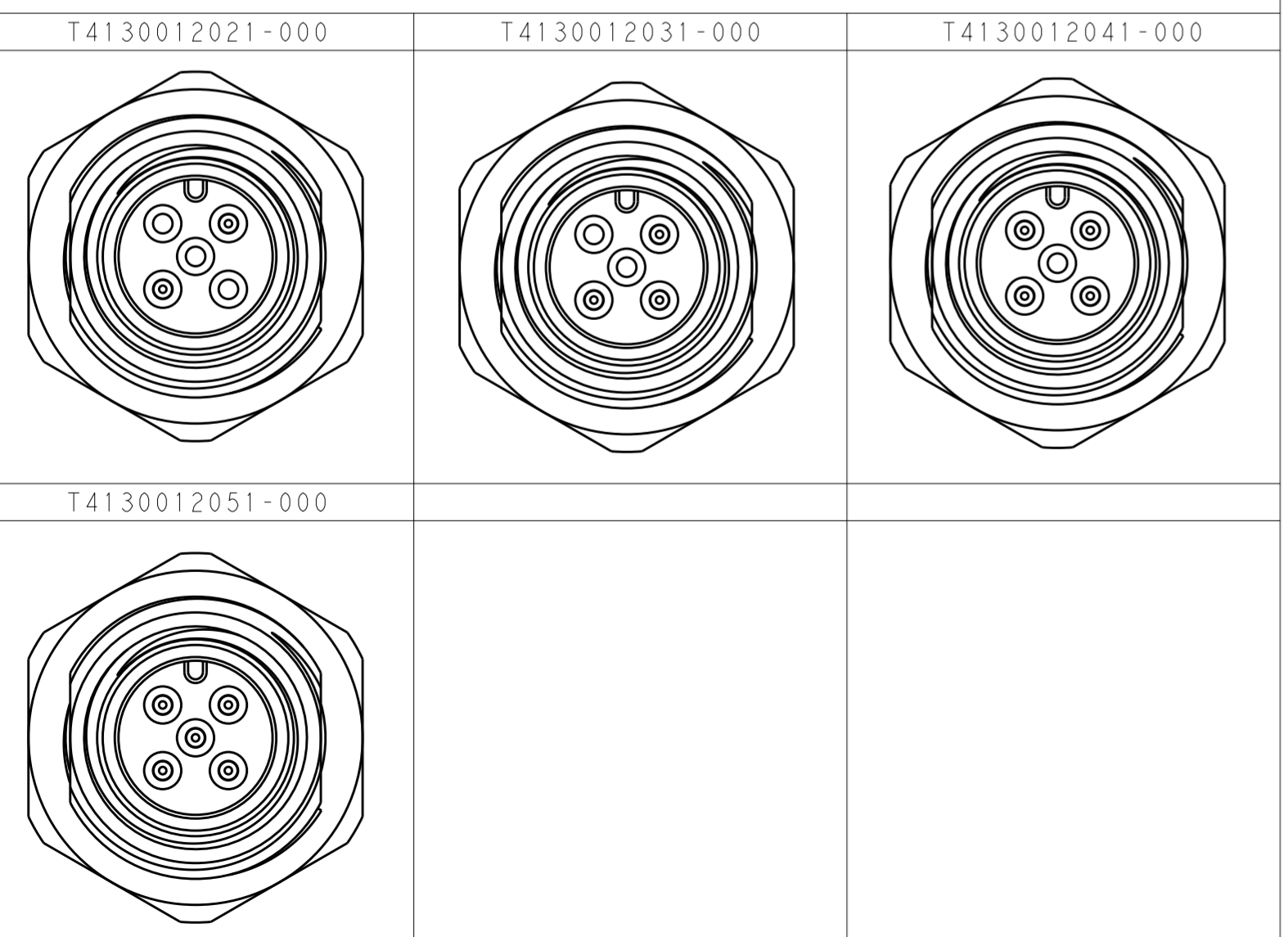
T41300120X1-000

CONTACT FINISH:
 1: GOLD 3u''
 NUMBER OF PINS:
 02: 2 PINS
 03: 3 PINS
 04: 4 PINS
 05: 5 PINS

T41300120X1-000

端子电镀:
 1: 3u'' 金
 针数:
 02: 2 针
 03: 3 针
 04: 4 针
 05: 5 针

PIN ARRANGEMENT A-CODE



RECOMMENDED PANEL CUTOUT

T4130012021-000	RPC-M12-MF-2CON-PG9-LAU
T4130012031-000	RPC-M12-MF-3CON-PG9-LAU
T4130012041-000	RPC-M12-MF-4CON-PG9-LAU
T4130012051-000	RPC-M12-MF-5CON-PG9-LAU

PLATING	MATERIAL	DESCRIPTION	ITEM	T4130012021-000	T4130012031-000	T4130012041-000	T4130012051-000
-	EPOXY RESIN	POTTING ADHESIVE	6	1	1	1	1
3u'' GOLD MIN.	COPPER ALLOY	CONTACT	5	2	3	4	5
200u'' NICKEL MIN.	COPPER ALLOY	METAL NUT	4	1	1	1	1
-	-	O-RING	3	1	1	1	1
200u'' NICKEL MIN.	COPPER ALLOY	M12, MALE, METAL BODY	2	1	1	1	1
-	PA66	M12, MALE HSG	1	1	1	1	1

THIS DRAWING IS A CONTROLLED DOCUMENT.

DWN: BO GAO 28JAN2016
 CHK: KOBBY ZHAO 28JAN2016
 APVD: XIANG XU 28JAN2016

TE Connectivity

M12 PANEL MOUNT CONNECTOR
 A CODE, MALE, REAR MOUNTING

SIZE: A2 CAGE CODE: - DRAWING NO: T41300120X1000
 SCALE: 3:1 SHEET 1 OF 1 REV B