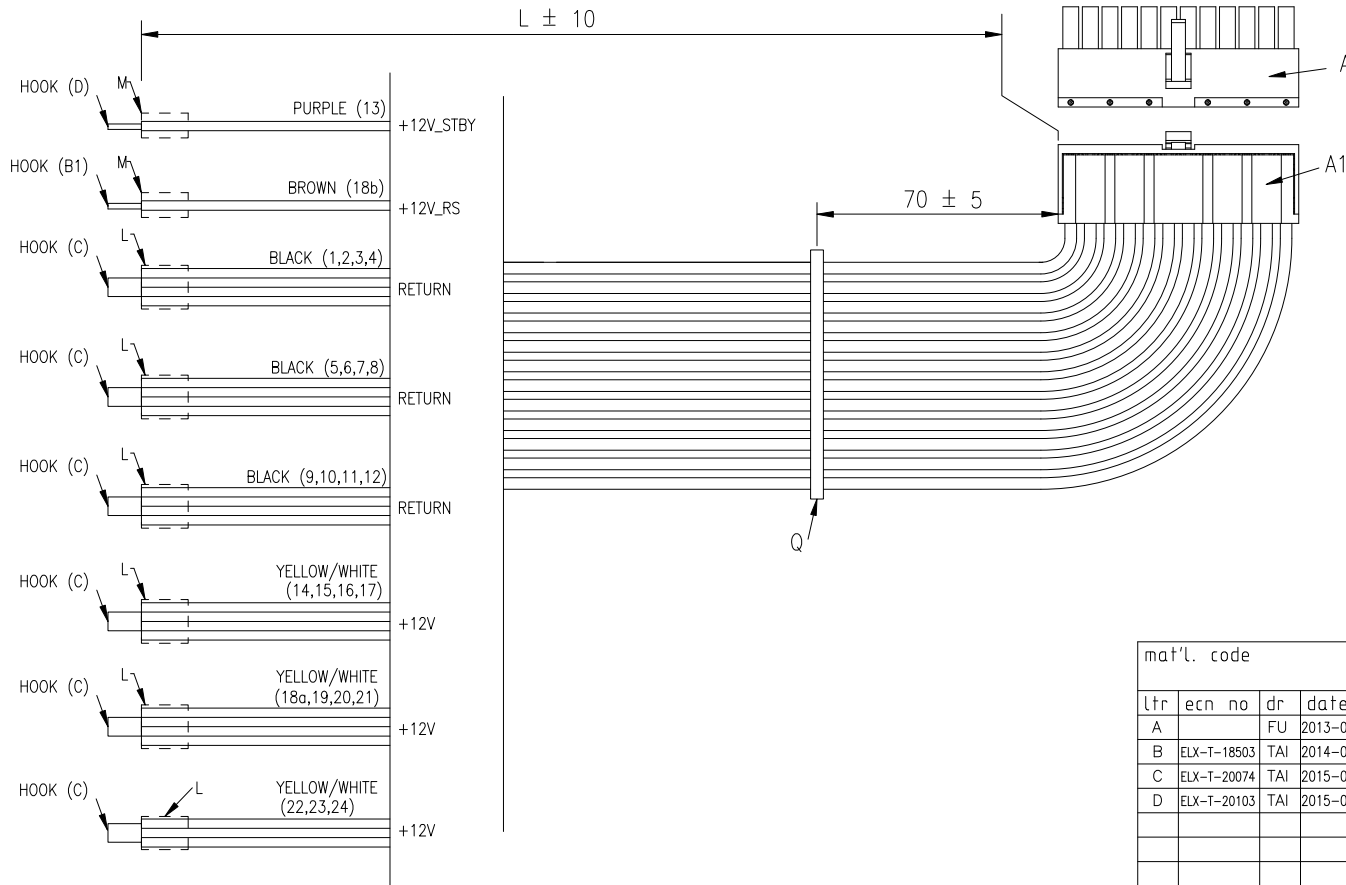
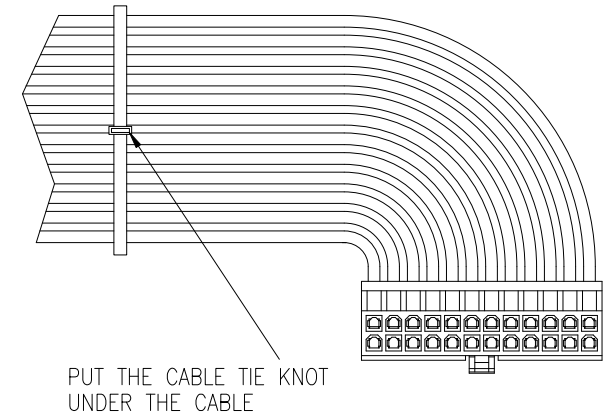
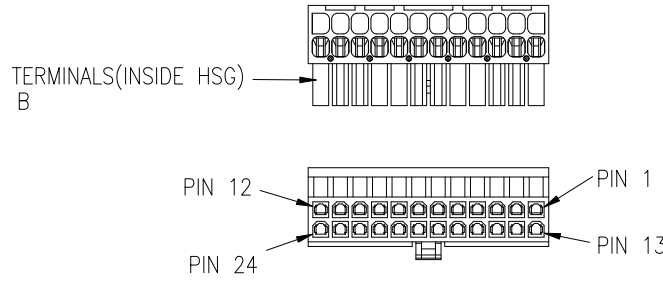


PRODUCT NUMBER
10122956-010LF

MATERIALS:

- A: RA HOUSING, FCI 10122956-H24002, X1
- A1: COVER, FCI 10122956-BC2401, X1
- B: HCS TERMINAL, FCI 10130517-121LF, X24
- HOOK (C): TERMINAL, FCI 10122956-PT001LF, X6
PCB HOLE SIZE: $\phi 3.20 \pm 0.1\text{mm}$
- HOOK (D): TERMINAL, WST H12402PS-T2# (or equivalent), X1
PCB HOLE SIZE: $\phi 2.40 \pm 0.1\text{mm}$
- HOOK (B1): TERMINAL, JWT B1613TOP-5e (or equivalent), X1
PCB HOLE SIZE: $\phi 1.60 \pm 0.1\text{mm}$
- L: H/S TUBE BLACK $\phi 5.0 \times 0.25$ L=10MM, X5
- M: H/S TUBE BLACK $\phi 2.0 \times 0.15$ L=10MM, X4
- Q: CABLE TIE, X1

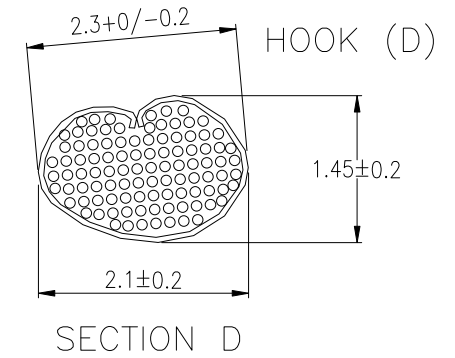
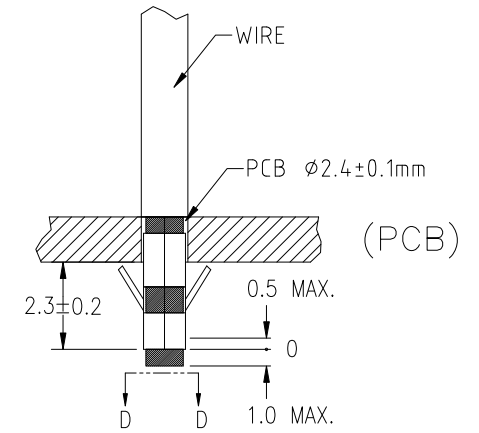
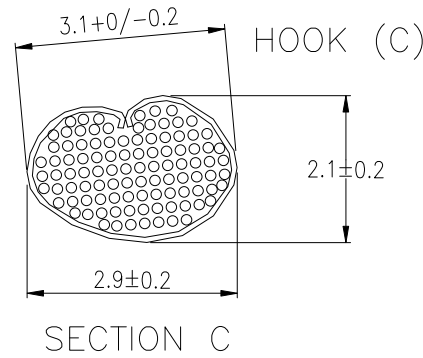
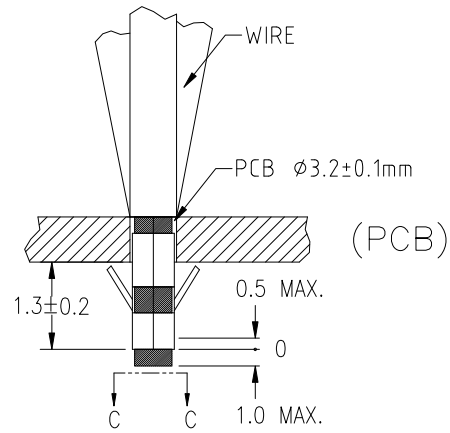
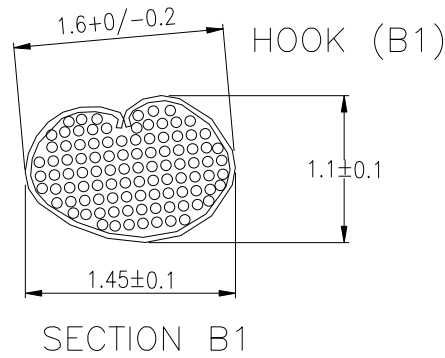
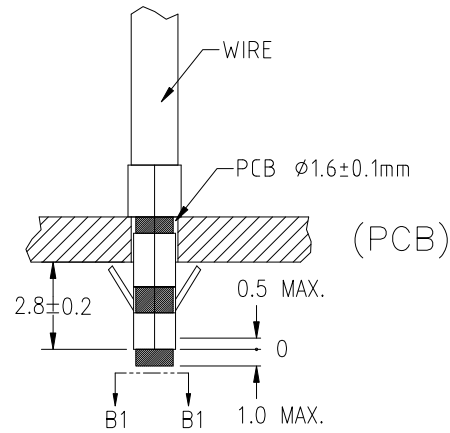


PVC WIRES: UL1007 (FLEXIBLE CABLE)

PIN NO.	WIRE SIZE	COLOR	SIGNAL	L
13	AWG#16, X1	PURPLE	+12V_STBY	188
18b	AWG#22, X1	BROWN	+12V_RS	173
1,2,3,4	AWG#18, X4	BLACK	RETURN	173
5,6,7,8	AWG#18, X4	BLACK	RETURN	173
9,10,11,12	AWG#18, X4	BLACK	RETURN	173
14,15,16,17	AWG#18, X4	YELLOW/WHITE	+12V	163
18a,19,20,21	AWG#18, X4	YELLOW/WHITE	+12V	163
22,23,24	AWG#18, X3	YELLOW/WHITE	+12V	163

mat'l. code		surface		tolerance		projection		product family	
ltr		ecn no		dr		date		tolerances unless otherwise specified	
A		FU	2013-09-16	angles		X.X±0.3	MM	title	
B	ELX-T-18503	TAI	2014-09-24	linear		X.XX±0.13		RIGHT ANGLE WIRE OUTLET	
C	ELX-T-20074	TAI	2015-01-23	X±2'		X.XXX±0.05	scale	CABLE ASSEMBLY	
D	ELX-T-20103	TAI	2015-01-28	dr	BEER FU	2013-09-16	FCI	dwg no	
				enr	BEER FU	2013-09-16		sheet 1 of 2	
				chr	BEER FU	2013-09-16		size	
				appd	BEER FU	2013-09-16		A4	
sheet index		revision sheet		D	D			type	
				1	2			CUSTOMER Drawing	

PRODUCT NUMBER
10122956-010LF



mat'l. code				surface		tolerance		projection		product family			
ltr				ecn no		dr		date		tolerances unless otherwise specified		title	
										X.X±0.3 X.XX±0.13 X.XXX±0.05		RIGHT ANGLE WIRE OUTLET CABLE ASSEMBLY	
				angles		linear		MM		scale		dwg no	
				x±2'								sheet 2 of 2	
				dr		BEER FU		2013-09-16		FCJ		size	
				enr		BEER FU		2013-09-16				A4	
				chr		BEER FU		2013-09-16				10122956-010LF	
				appd		BEER FU		2013-09-16				type	
												CUSTOMER Drawing	
sheet index		revision sheet		D		D							
				1		2							