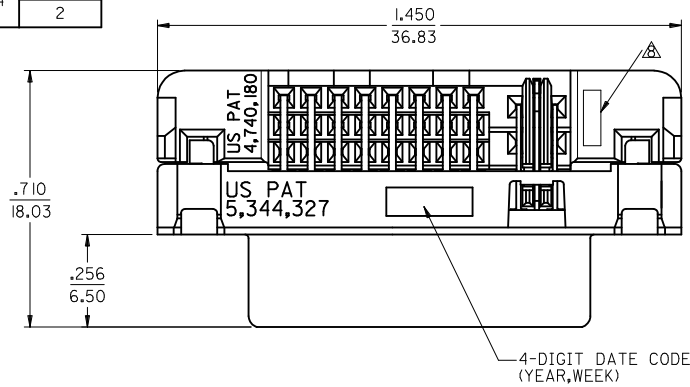
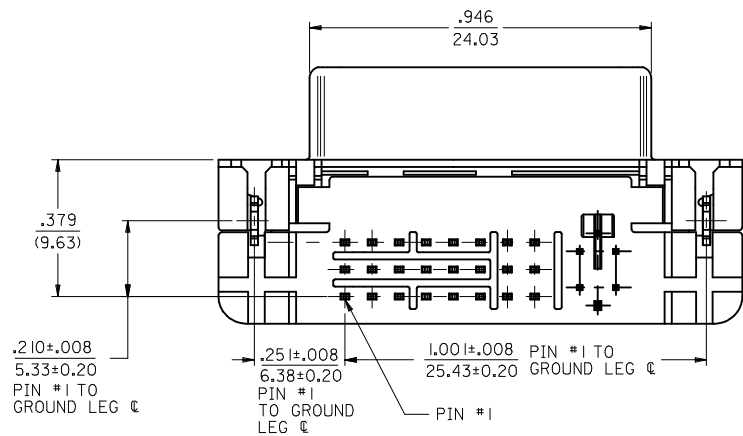
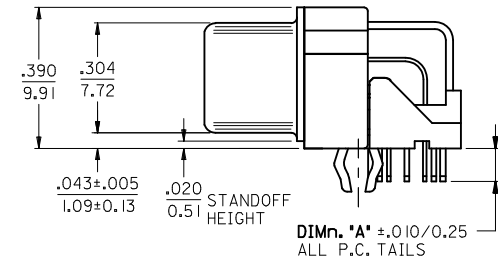
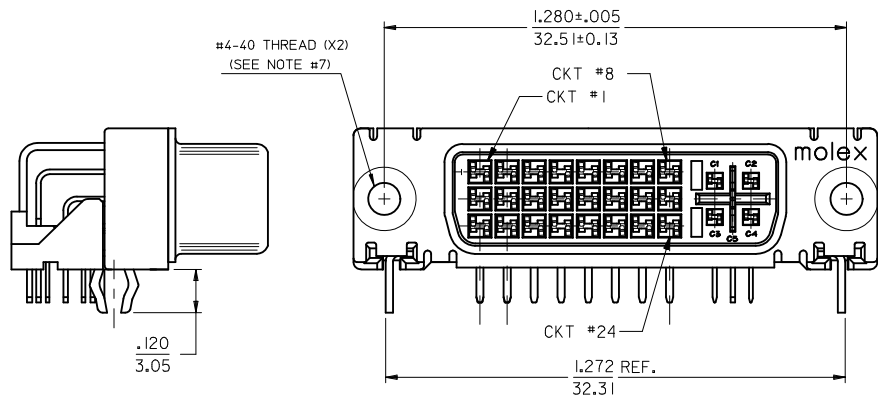


PART NUMBER	DIM *A*	PLATING OPTION
74320-9010	.092/2.34	1
74320-9014		2

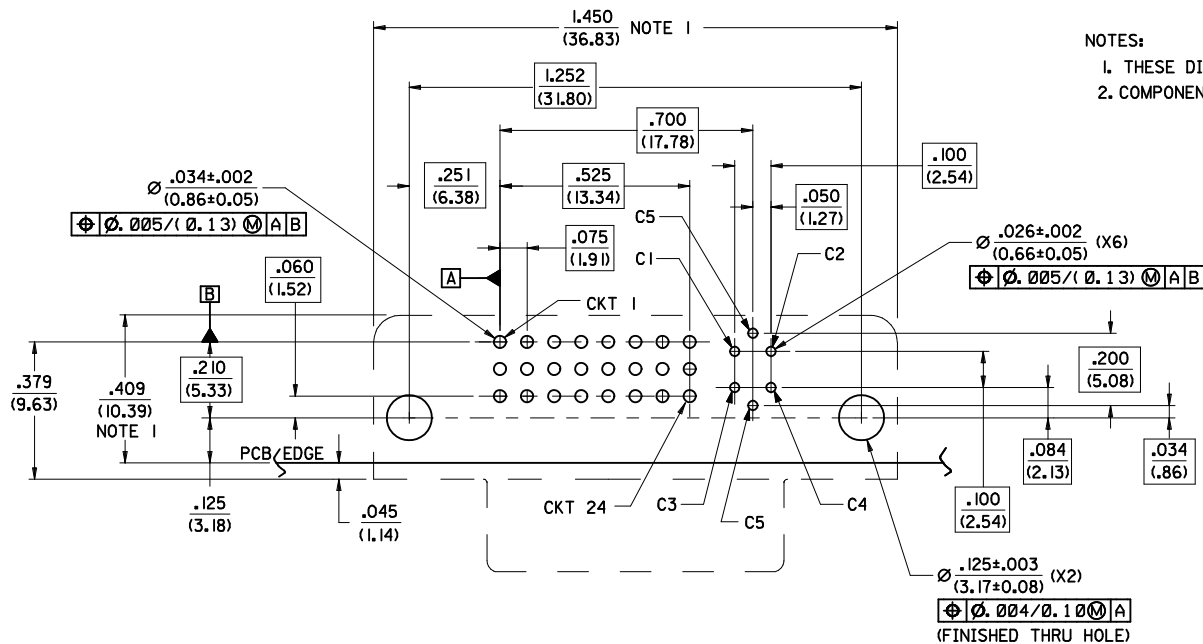


NOTES:

- MATERIALS:
SHIELD -- DEEP DRAW STEEL.
HOUSING -- GLASS FILLED POLYMER, WHITE/NATURAL, UL 94v-0.
TAIL ALIGNER -- GLASS FILLED POLYMER, WHITE/NATURAL, UL 94v-0.
CONTACTS -- COPPER ALLOY.
MICROCROSS GROUND -- COPPER ALLOY.
 - PLATING: SEE SHEET 2
 - PRODUCT CONFORMS TO MOLEX PRODUCT SPECIFICATION NUMBER PS-74320-001.
 - SEE SHEET 2 FOR RECOMMENDED PANEL CUT-OUT AND P.C.B. LAYOUT.
 - PARTS WILL BE PACKAGED IN TRAYS PER PK-74320-010.
 - PRODUCT CONFORMS TO DDWG DVI SPECIFICATION. REFER TO THIS SPECIFICATION FOR CONNECTOR MATING DIMENSIONS.
 - RECOMMENDED MOUNTING HARDWARE IS MOLEX P/N 7178I-0001 OR 82007-0300 OR 88780-6066. REFER TO PRODUCT SPECIFICATION NUMBER PS-74320-001 FOR THE APPLICATION TORQUE REQUIREMENT FOR ASSEMBLING MOUNTING HARDWARE.
- △ CAVITY NO. AND MANUFACTURING PLANT CODE.



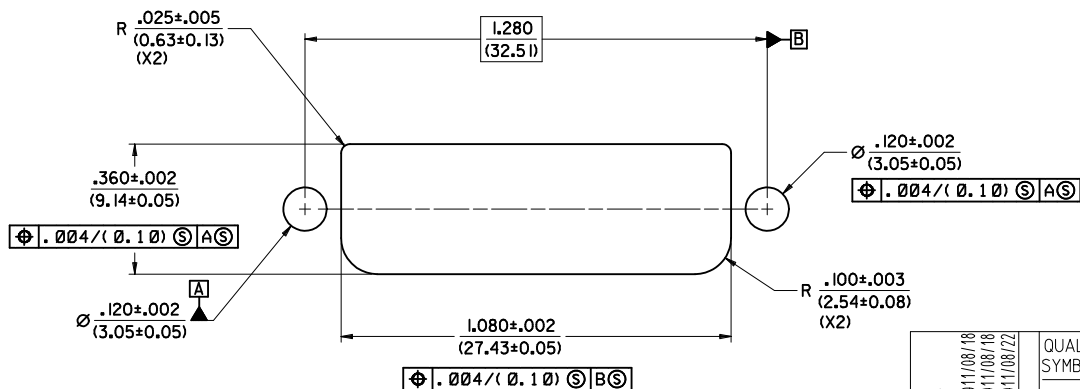
REVISE	EC NO.	DRWN:X JSONG	CHKD:X JSONG	APPR:RZHANG	DESCRIPTION	QUALITY SYMBOLS		GENERAL TOLERANCES (UNLESS SPECIFIED)		DIMENSION STYLE		SCALE	DESIGN UNITS	THIRD ANGLE PROJECTION
						mm	INCH	MM/IN	1:1	INCH				
REV	SH2012-0047	2011/08/18	2011/08/18	2011/08/22		▽=0	▽=0	▽=0	4 PLACES ± --- ± ---	DRAWN BY X JSONG	DATE 2011/08/18	TITLE	DVI-I RIGHT ANGLE RECEPTACLE CONNECTOR W/FORKLOCK	
						▽=0	▽=0	▽=0	3 PLACES ± --- ± .010	CHECKED BY X JSONG	DATE 2011/08/18			
						▽=0	▽=0	▽=0	2 PLACES ± 0.25 ± .010	APPROVED BY RZHANG	DATE 2011/08/22			
						▽=0	▽=0	▽=0	1 PLACE ± 0.25 ± .010	MATERIAL NO.				
									ANGULAR ± 1/2°	SEE TABLE				
									DRAFT WHERE APPLICABLE MUST REMAIN WITHIN DIMENSIONS	THIS DRAWING CONTAINS INFORMATION THAT IS PROPRIETARY TO MOLEX INCORPORATED AND SHOULD NOT BE USED WITHOUT WRITTEN PERMISSION				
										MOLEX INCORPORATED				
										SD-74320-026				
														SHEET NO. 1 OF 2



RECOMMENDED PCB LAYOUT

NOTES:

1. THESE DIMENSIONS REPRESENT CONNECTOR OVERLAY ON PCB.
2. COMPONENT SIDE OF PCB SHOWN.



RECOMMENDED PANEL CUT-OUT

NOTE:
1. PANEL THICKNESS: .030" - .040".

PLATING OPTIONS:

PLATING OPTION #1:

OUTER SHIELD -- 150u"/(3.75um) MIN. BRIGHT TIN OVER 50u"/(1.27um) MIN. NICKEL OVER COPPER FLASH

.075"/(1.91mm) CONTACTS -- 30u"/(0.75um) MIN. SELECT GOLD AND 100u"/(2.50um) MIN. SELECT PURE TIN OVER 50u"/(1.27um) MIN. NICKEL OVERALL.

PLATING OPTION #2:

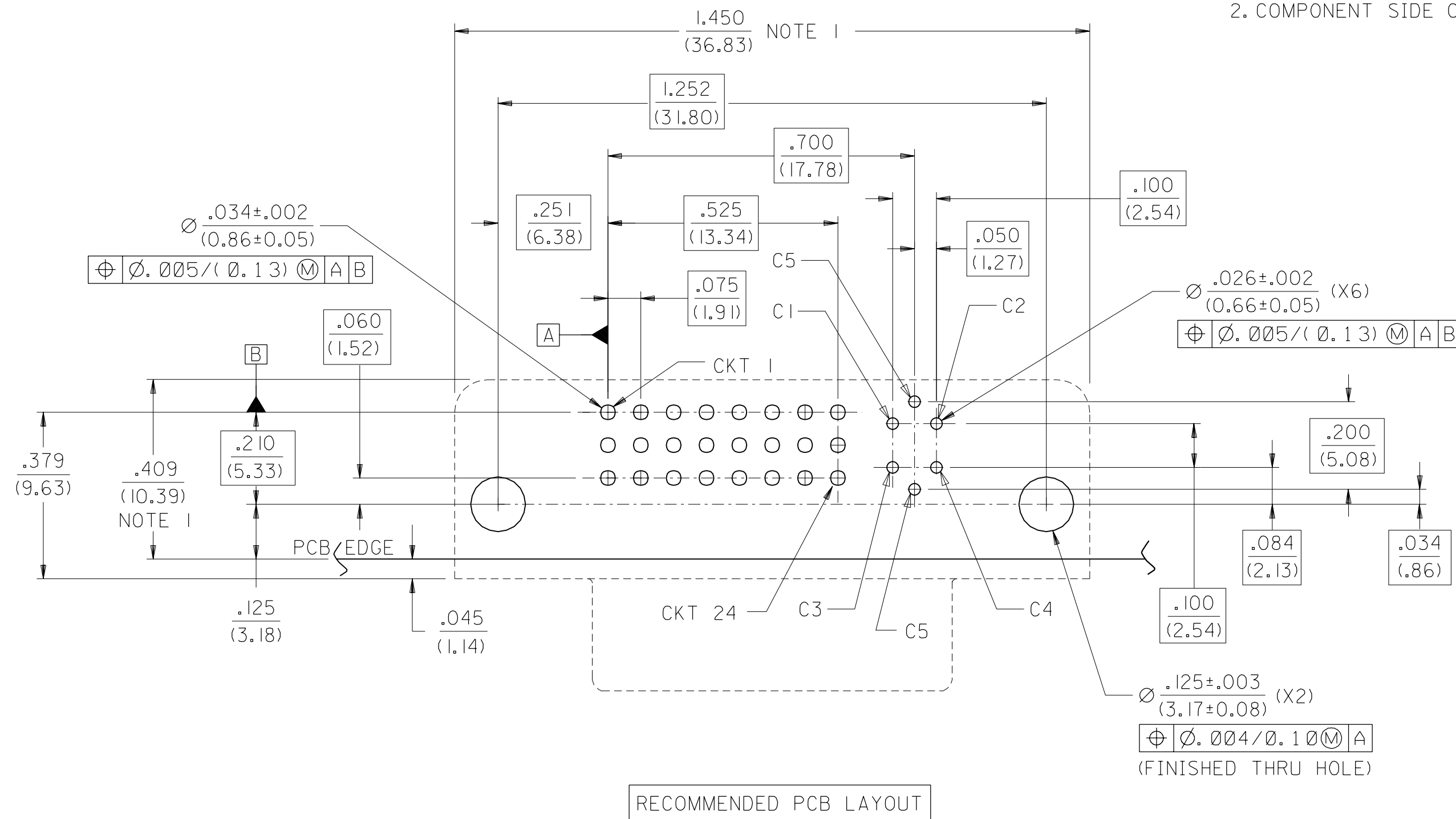
OUTER SHIELD -- 150u"/(3.75um) MIN. BRIGHT TIN OVER 50u"/(1.27um) MIN. NICKEL OVER COPPER FLASH

.075"/(1.91mm) CONTACTS -- SELECT GOLD FLASH AND 100u"/(2.50um) MIN. SELECT PURE TIN OVER 50u"/(1.27um) MIN. NICKEL OVERALL.

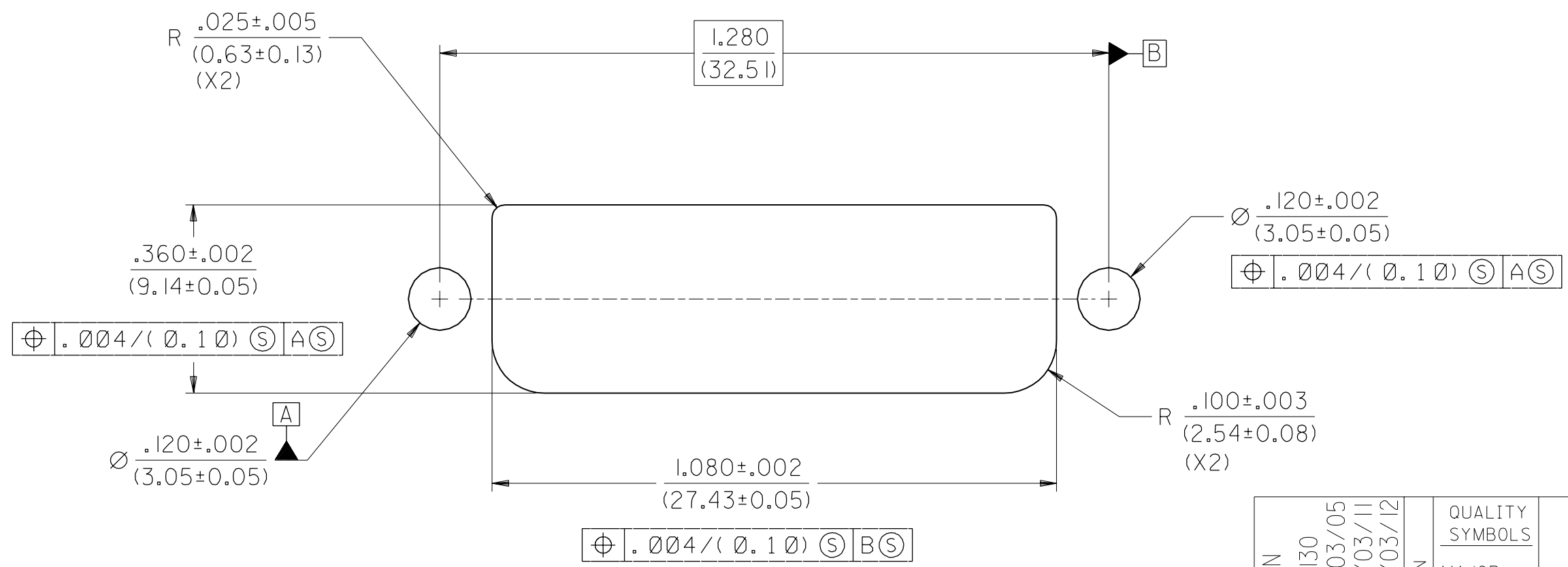
SEE SHEET 1 EC NO: SH2012-0047 DRAWN: XJSONG 2011/08/18 CHKD: XJSONG 2011/08/18 APPR: RZHANG 2011/08/22	QUALITY SYMBOLS ▽=0 ▽=0 ▽=0	GENERAL TOLERANCES (UNLESS SPECIFIED)		DIMENSION STYLE MM/IN		SCALE 1:1	DESIGN UNITS INCH	THIRD ANGLE PROJECTION
		4 PLACES ± --- ± ---	3 PLACES ± .25 ± .010	2 PLACES ± .25 ± .010	1 PLACE ± .25 ± .010	ANGULAR ± 1/2°	DRAWN BY XJSONG	DATE 2011/08/18
D	DESCRIPTION	DRAFT WHERE APPLICABLE MUST REMAIN WITHIN DIMENSIONS		APPROVED BY RZHANG		DATE 2011/08/22	MATERIAL NO. SD-74320-026	
				SEE SHEET 1		DOCUMENT NO.		SHEET NO. 2 OF 2
THIS DRAWING CONTAINS INFORMATION THAT IS PROPRIETARY TO MOLEX INCORPORATED AND SHOULD NOT BE USED WITHOUT WRITTEN PERMISSION								

NOTES:

1. THESE DIMENSIONS REPRESENT CONNECTOR OVERLAY ON PCB.
2. COMPONENT SIDE OF PCB SHOWN.



RECOMMENDED PCB LAYOUT



RECOMMENDED PANEL CUT-OUT

NOTE:
1. PANEL THICKNESS: .030" - .040".

PLATING OPTIONS:

PLATING OPTION #1:

OUTER SHIELD -- 150u"/(3.75um) MIN. BRIGHT TIN OVER 50u"/(1.27um) MIN. NICKEL OVER COPPER FLASH
 .075"/(1.91mm) CONTACTS -- 30u"/(0.75um) MIN. SELECT GOLD AND 100u"/(2.50um) MIN. SELECT PURE TIN OVER 50u"/(1.27um) MIN. NICKEL OVERALL.

PLATING OPTION #2:

OUTER SHIELD -- 150u"/(3.75um) MIN. BRIGHT TIN OVER 50u"/(1.27um) MIN. NICKEL OVER COPPER FLASH
 .075"/(1.91mm) CONTACTS -- SELECT GOLD FLASH AND 100u"/(2.50um) MIN. SELECT PURE TIN OVER 50u"/(1.27um) MIN. NICKEL OVERALL.

MODIFICATION	DESCRIPTION	QUALITY SYMBOLS
EC NO. SH2004-0130	DRWN: DXUE 04/03/05	MAJOR = 0
CHK: HARVEY 04/03/11	APPR: SHUANG 04/03/12	CRITICAL = 0
REV		

GENERAL TOLERANCES: (UNLESS SPECIFIED)	
mm	INCH
4 PLACES ±0.	±.
3 PLACES ±0.	±.010
2 PLACES ±0.25	±.010
1 PLACE ±0.25	±.010
ANGULAR: ± 1/2°	
DRAFT WHERE APPLICABLE MUST REMAIN WITHIN DIMENSIONS	

SCALE 4 : 1	DESIGN UNITS <input type="checkbox"/> mm <input checked="" type="checkbox"/> INCH
DRAWN BY & DATE TMCCLELL 99/11/16	
CHECKED BY & DATE SCHMIDGA 99/11/16	
APPROVED BY & DATE NELSON 99/11/16	
CAD FILENAME SD74320026.S02	

DIMENSIONS: <input type="checkbox"/> INCH ONLY <input checked="" type="checkbox"/> mm ONLY		SHT	REV
THIRD ANGLE PROJECTION		REVISE ON CAD ONLY	
TITLE: DVI - I RIGHT ANGLE W/FORKLOCK RECEPTACLE CONNECTOR			
MOLEX INCORPORATED			
MATERIAL NO. SEE CHART	DRAWING NO. SD-74320-026	SHEET NO. 2	
THIS DRAWING CONTAINS INFORMATION THAT IS PROPRIETARY TO MOLEX INCORPORATED AND SHOULD NOT BE USED WITHOUT WRITTEN PERMISSION.			SIZE C