

## MISM-3V1 REED SWITCH



### Features

- Surface mounting normally open switch
- Ultra-miniature size with 7.00mm x 1.80 mm (0.276" x 0.071") glass envelope
- Capable of switching 170Vdc or 0.5A at up to 10W
- $10^{12}$  Ohms insulation resistance
- Available sensitivity 6-19 AT
- Bulk or tape and reel packaging. See sheet 2

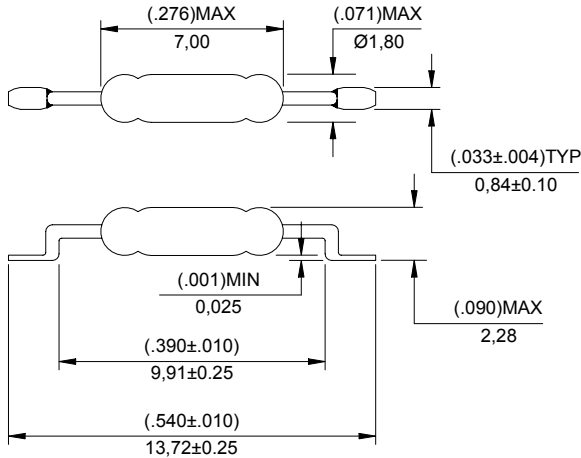
### Benefits

- Hermetically sealed switch contacts are not affected by and have no effect on their external environment
- Low, stable contact resistance
- Very small space requirements
- Zero operating power required for contact closure
- Fit and forget durability

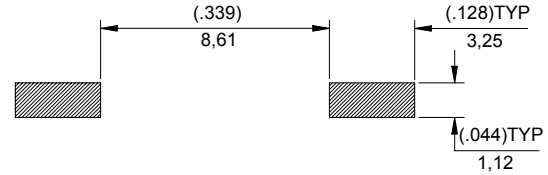
### Applications

- Position sensing
- Level sensing
- Security
- Metering
- Mobile phones

### SWITCH DIMENSIONS (in) mm



### RECOMMENDED LAND PATTERN



### SWITCH TYPE

MISM-3V1

### ELECTRICAL RATINGS

Contact Form A - Normally Open

Parameter	Condition	Value	Unit
Contact Rating (1)	Power	Watts - max	10
Voltage	Switching	Vdc - max.	170
	Breakdown	Vdc - min.	175
Current	Switching	A - max.	0.5
	Carry	A - max.	0.5
Resistance	Contact, Initial	Ohms - max.	0.15
	Insulation	Ohms - min.	$10^{12}$
Capacitance	Contact	pF - typ.	0.3
Temperature	Operating	°C	-40 to +125
	Storage (2)	°C	-65 to +125

### OPERATING CHARACTERISTICS

Time	Operate (3)	ms - max.	0.45
	Release (3)	ms - max.	0.20
Shock	11ms ½ sine	G - max.	150
Vibration	50-2000 Hz.	G - max.	30
Resonant Frequency		kHz -typ.	18

### MAGNETIC CHARACTERISTICS

Pull-In Ranges Available	Switch AT before modification	Ampere Turns (AT)	6-10, 8-12.5, 10-15 and 13-19
Rating Sensitivity (4)		Ampere Turns (AT)	12
Test Coil			L4991

- Notes:-**
- 1) Contact Rating. Product of the switching voltage and current must never exceed the wattage rating. Contact Hamlin for additional load/life information.
  - 2) Storage Temperature. Long term exposure at elevated temperature may degrade solderability of the leads.
  - 3) Operate (including bounce) /Release Time. Tested per EIA/NARM RS421A with diode suppressed coil.
  - 4) Rating Sensitivity. The value at which the contact ratings and operating characteristics are determined. De-rating may be required below this value.

