

## MISM-3V1 REED SWITCH



### Features

- Surface mounting normally open switch
- Ultra-miniature size with 7.00mm x 1.80 mm (0.276" x 0.071") glass envelope
- Capable of switching 170Vdc or 0.5A at up to 10W
- $10^{12}$  Ohms insulation resistance
- Available sensitivity 6-19 AT
- Bulk or tape and reel packaging. See sheet 2

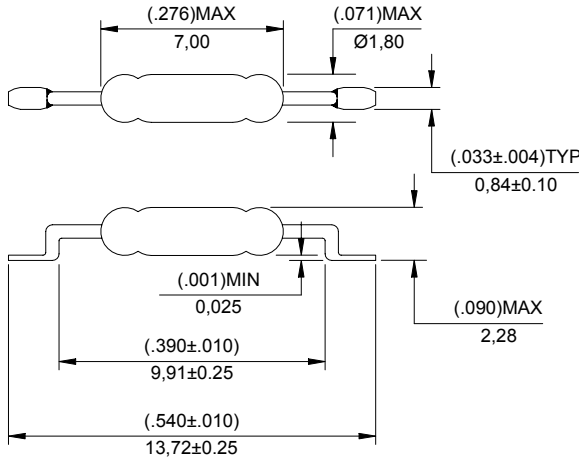
### Benefits

- Hermetically sealed switch contacts are not affected by and have no effect on their external environment
- Low, stable contact resistance
- Very small space requirements
- Zero operating power required for contact closure
- Fit and forget durability

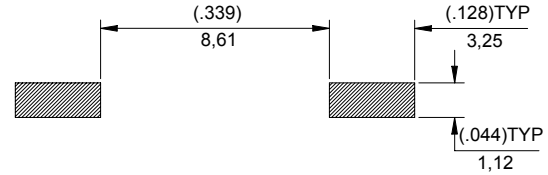
### Applications

- Position sensing
- Level sensing
- Security
- Metering
- Mobile phones

### SWITCH DIMENSIONS (in) mm



### RECOMMENDED LAND PATTERN



### SWITCH TYPE

MISM-3V1

### ELECTRICAL RATINGS

Contact Form A - Normally Open

| Parameter          | Condition        | Rating      | Value       |
|--------------------|------------------|-------------|-------------|
| Contact Rating (1) | Power            | Watts - max | 10          |
| Voltage            | Switching        | Vdc - max.  | 170         |
|                    | Breakdown        | Vdc - min.  | 175         |
| Current            | Switching        | A - max.    | 0.5         |
|                    | Carry            | A - max.    | 0.5         |
| Resistance         | Contact, Initial | Ohms - max. | 0.15        |
|                    | Insulation       | Ohms - min. | $10^{12}$   |
| Capacitance        | Contact          | pF - typ.   | 0.3         |
| Temperature        | Operating        | °C          | -40 to +125 |
|                    | Storage (2)      | °C          | -65 to +125 |

### OPERATING CHARACTERISTICS

|                    |             |           |      |
|--------------------|-------------|-----------|------|
| Time               | Operate (3) | ms - max. | 0.45 |
|                    | Release (3) | ms - max. | 0.20 |
| Shock              | 11ms ½ sine | G - max.  | 150  |
| Vibration          | 50-2000 Hz. | G - max.  | 30   |
| Resonant Frequency |             | kHz -typ. | 18   |

### MAGNETIC CHARACTERISTICS

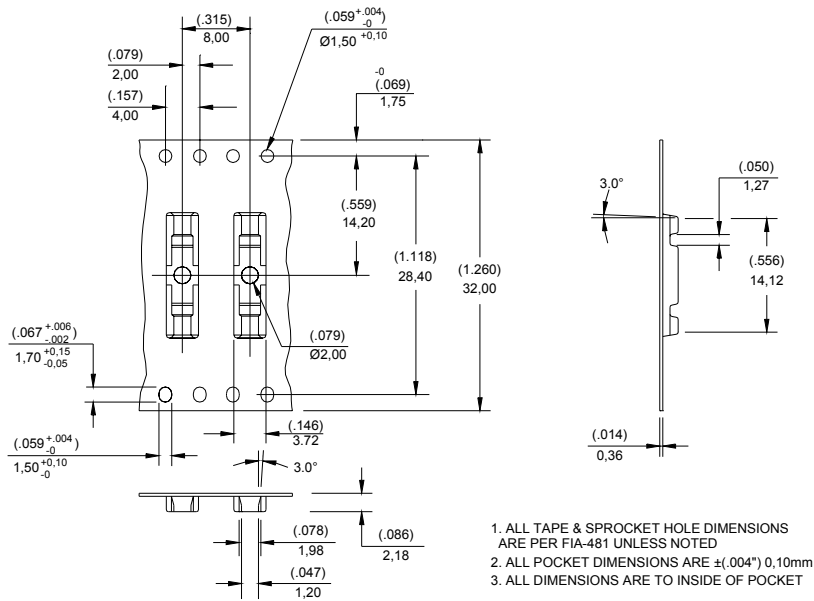
|                          |                               |                   |                               |
|--------------------------|-------------------------------|-------------------|-------------------------------|
| Pull-In Ranges Available | Switch AT before modification | Ampere Turns (AT) | 6-10, 8-12.5, 10-15 and 13-19 |
| Rating Sensitivity (4)   |                               | Ampere Turns (AT) | 12                            |
| Test Coil                |                               |                   | L4991                         |

- Notes:-**
- 1) Contact Rating. Product of the switching voltage and current must never exceed the wattage rating. Contact Hamlin for additional load/life information.
  - 2) Storage Temperature. Long term exposure at elevated temperature may degrade solderability of the leads.
  - 3) Operate (including bounce) /Release Time. Tested per EIA/NARM RS421A with diode suppressed coil.
  - 4) Rating Sensitivity. The value at which the contact ratings and operating characteristics are determined. De-rating may be required below this value.

## MISM-3V1 REED SWITCH

**Packaging: - Bulk - 100 per Box or Tape and Reel - 3,000 per Reel**

### TAPE DIMENSIONS (in) mm



1. ALL TAPE & SPROCKET HOLE DIMENSIONS ARE PER FIA-481 UNLESS NOTED
2. ALL POCKET DIMENSIONS ARE  $\pm(.004^*) 0,10$ mm
3. ALL DIMENSIONS ARE TO INSIDE OF POCKET

### REEL DIMENSIONS (in) mm

