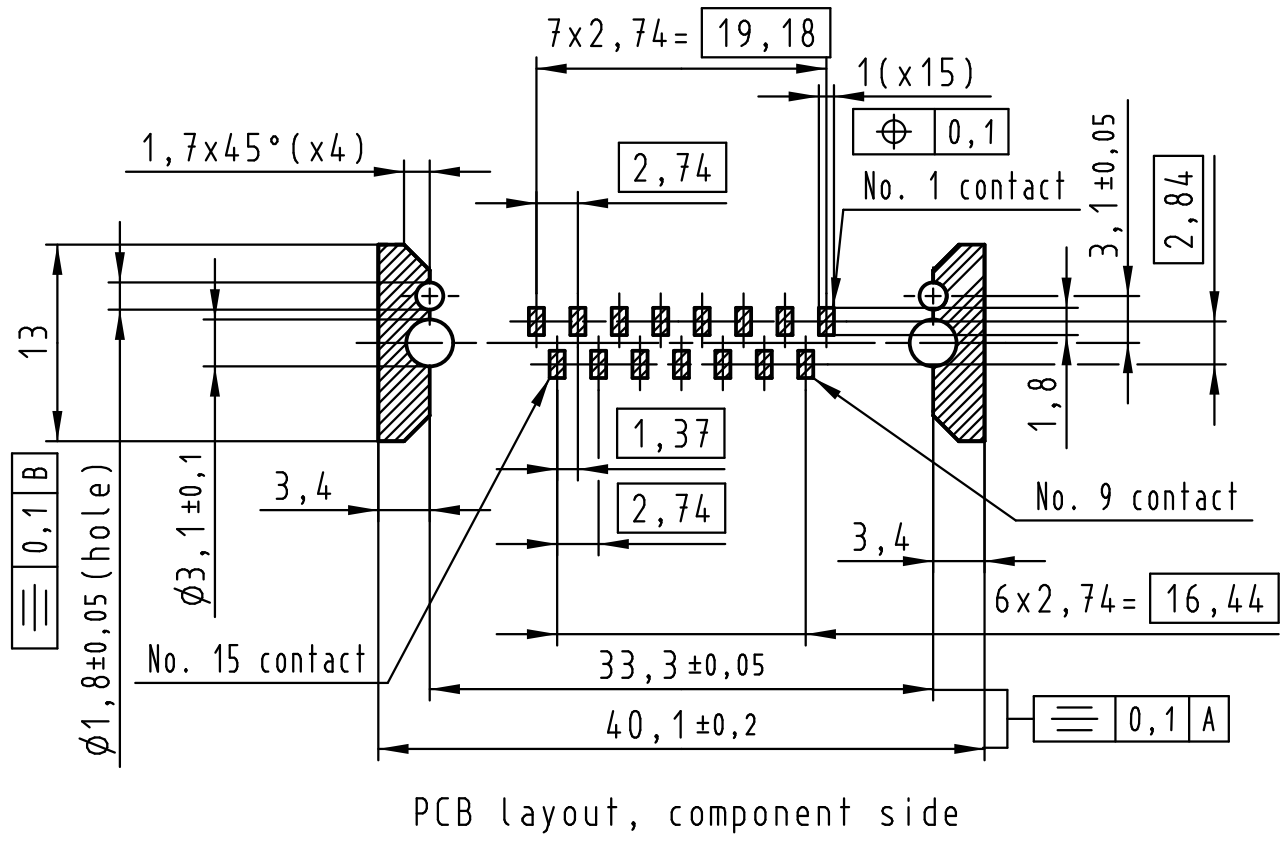
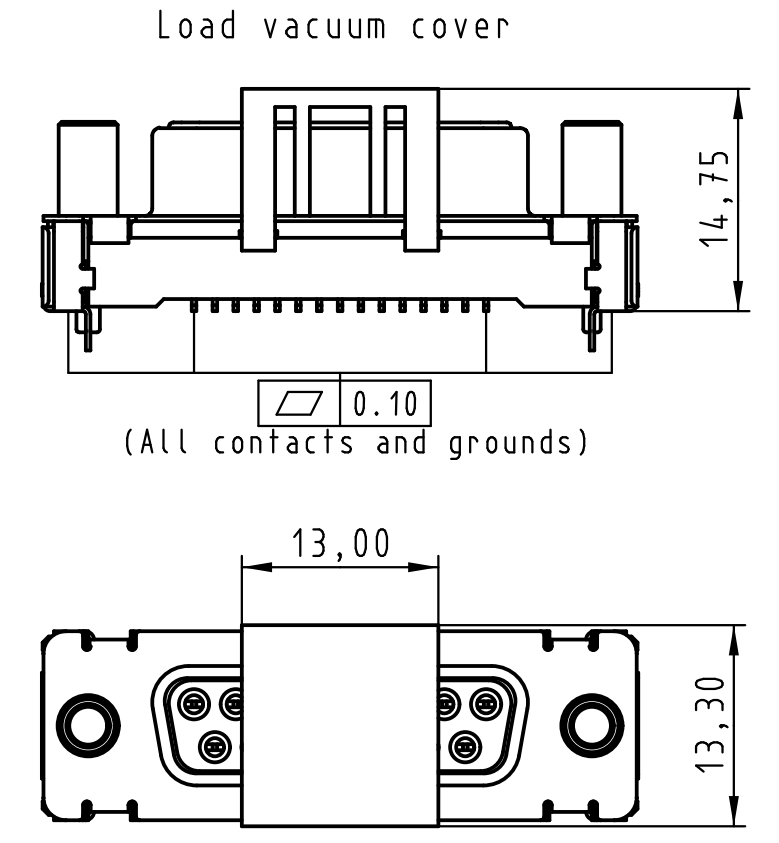
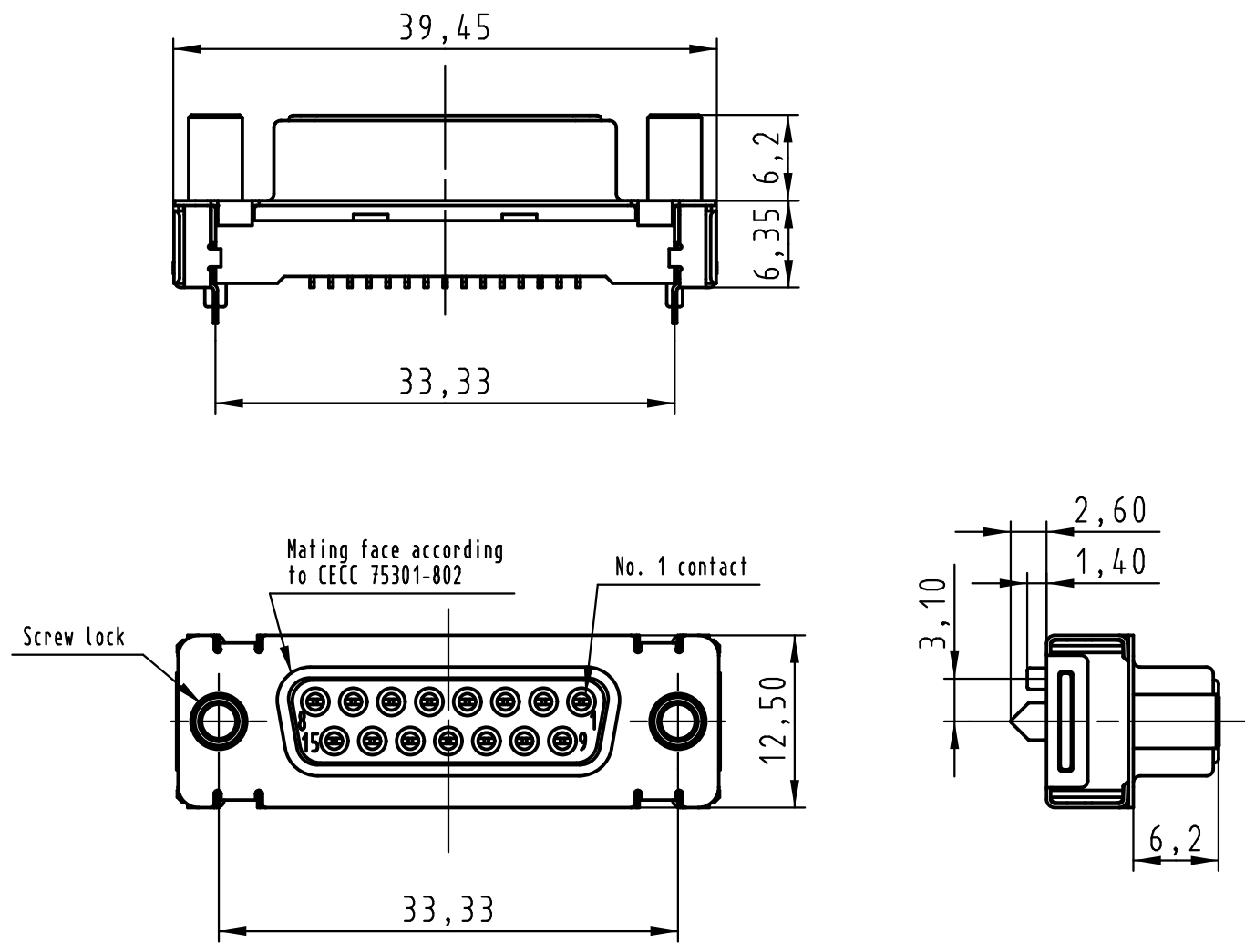


All rights reserved



Max. Temperature: 260° during 10 seconds.

0955 255 3621 741	1	M3	Black insulator	Reel Packaging: 140 connectors (See details on page2/2)														
0955 255 3622 741	1	4-40 UNC																
0955 255 6621 741	2	M3																
0955 255 6622 741	2	4-40 UNC																
0955 255 7621 741	3	M3																
0955 255 7622 741	3	4-40 UNC																
Part number	PL	Screw lock	Index designation															
		Techn. Character.		Free size tolerances														
		<table border="1"> <tr> <td></td> <td>Dat.</td> <td>Name</td> <td>Scale</td> </tr> <tr> <td></td> <td>25-Oct-11</td> <td>Johnson.S</td> <td rowspan="3">2:1</td> </tr> <tr> <td></td> <td>17-Nov-11</td> <td>Steven.W</td> </tr> <tr> <td></td> <td>17-Nov-11</td> <td>Steven.W</td> </tr> </table>			Dat.	Name	Scale		25-Oct-11	Johnson.S	2:1		17-Nov-11	Steven.W		17-Nov-11	Steven.W	D-Sub SMT, 15 poles Female, Straight with screw locks and ground pins
	Dat.	Name	Scale															
	25-Oct-11	Johnson.S	2:1															
	17-Nov-11	Steven.W																
	17-Nov-11	Steven.W																
EC04070	17-Nov-11	Johnson.S	Zhuhai HARTING Limited	TB 09 55 255 x62x														
Mod.	Dat.	Name	Sub.	Page 1/2														

