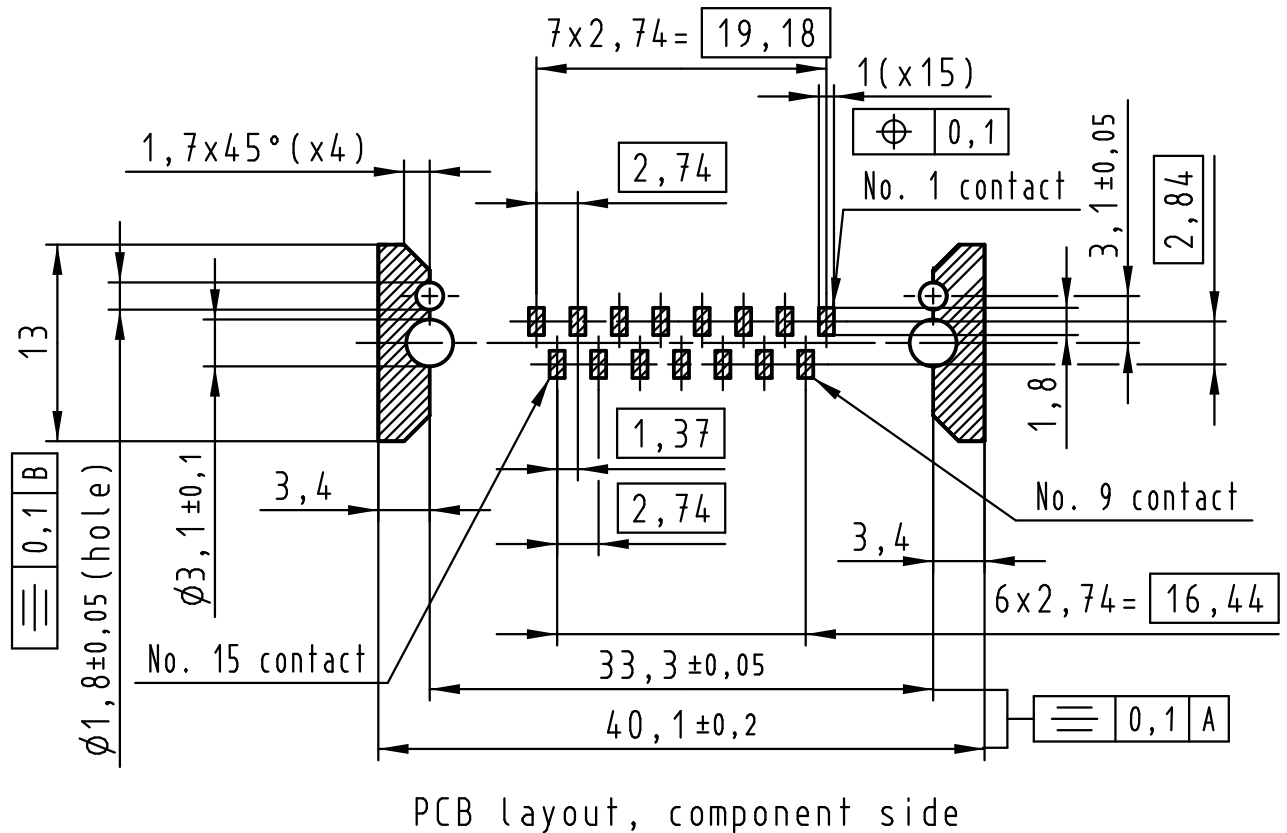
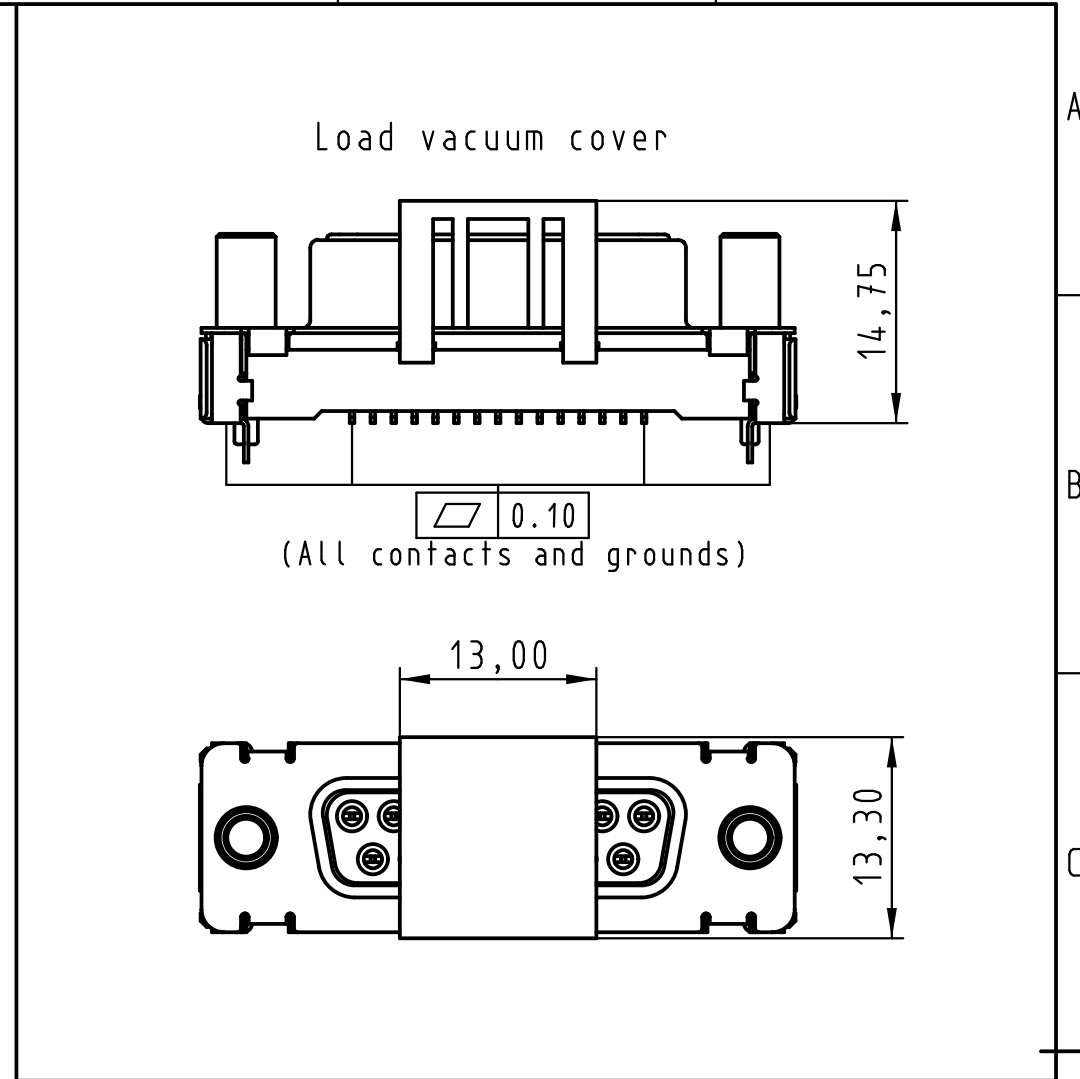
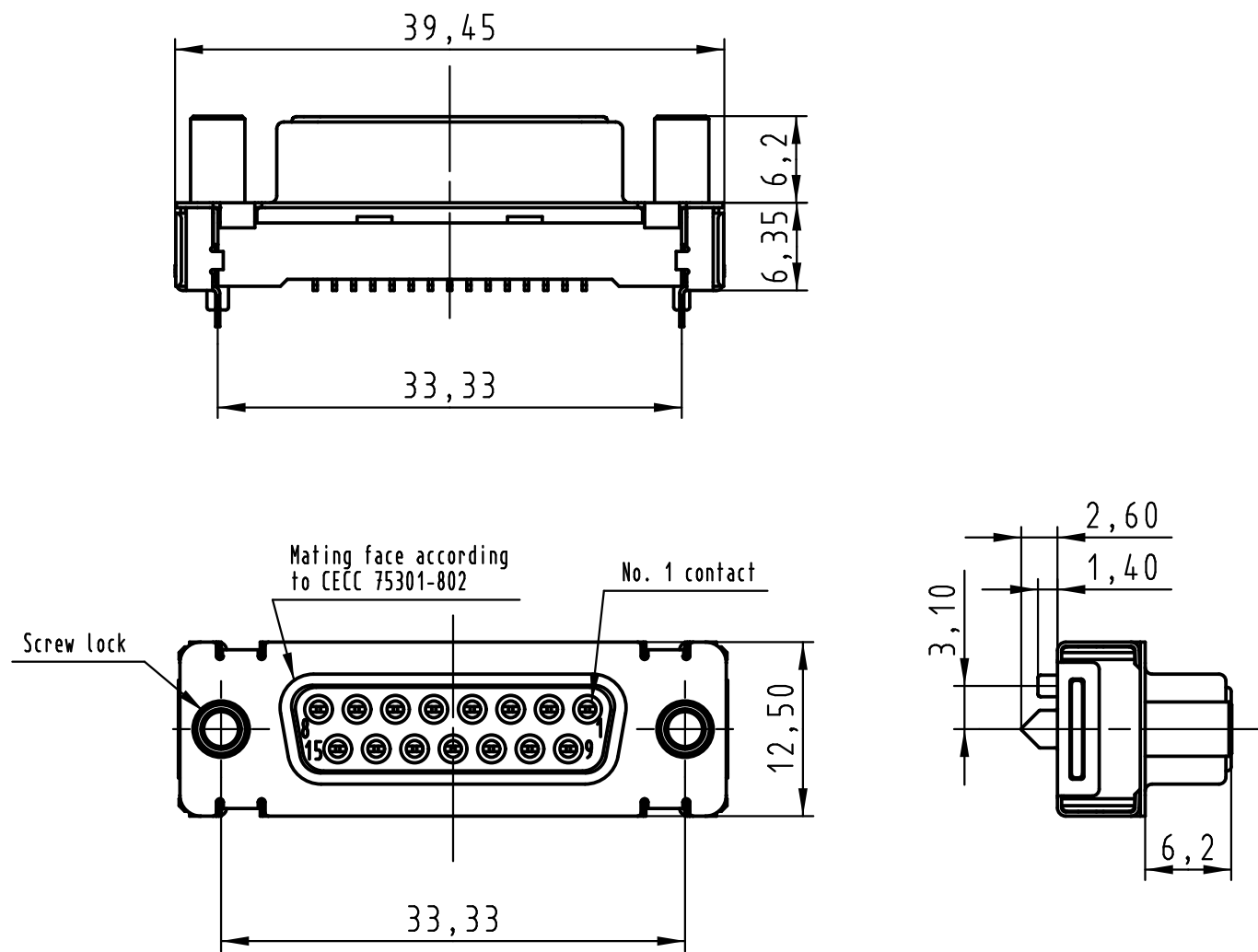


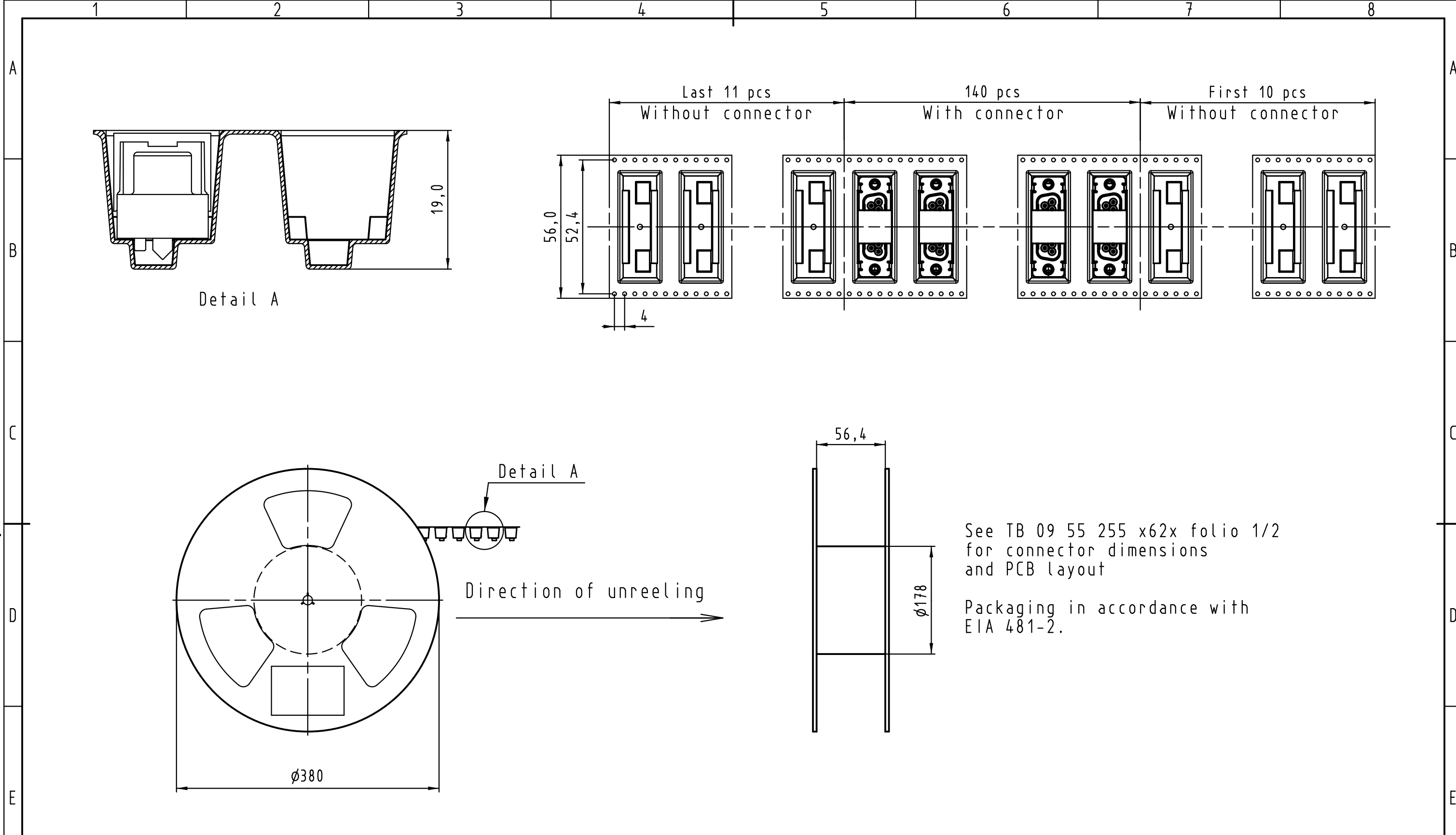
All rights reserved



Max. Temperature: 260° during 10 seconds.

0955 255 3621 741	1	M3	Black insulator	Reel Packaging: 140 connectors (See details on page2/2)
0955 255 3622 741	1	4-40 UNC		
0955 255 6621 741	2	M3		
0955 255 6622 741	2	4-40 UNC		
0955 255 7621 741	3	M3		
0955 255 7622 741	3	4-40 UNC		

Part number		PL	Screw lock	Index designation	
			Techn. Character.		Free size tolerances
		Dat.	Name	Scale	
		Detail.	25-Oct-11 Johnson.S	2:1	
		Insp.	17-Nov-11 Steven.W		
		Stand.	17-Nov-11 Steven.W		
EC04070 17-Nov-11 Johnson.S Mod. Dat. Name			Zhuhai HARTING Limited		D-Sub SMT, 15 poles Female, Straight with screw locks and ground pins
				TB 09 55 255 x62x	Page 1/2



All rights reserved

0955 255 3621 741	1	M3	Black insulator	Reel Packaging: 140 connectors
0955 255 3622 741	1	4-40 UNC		
0955 255 6621 741	2	M3		
0955 255 6622 741	2	4-40 UNC		
0955 255 7621 741	3	M3		
0955 255 7622 741	3	4-40 UNC		
Part number	PL	Screw lock	Index designation	

See TB 09 55 255 x62x folio 1/2 for connector dimensions and PCB layout

Packaging in accordance with EIA 481-2.

All Dimensions in mm Original Size DIN A 3	Techn. Character.			Free size tolerances	
		Dat.	Name	Scale	
	Detail.	25-Oct-11	Johnson.S	D-Sub SMT, 15 poles Female, Straight with screw locks and ground pins	
	Insp.	17-Nov-11	Steven.W		
Stand.	17-Nov-11	Steven.W			
EC04070	17-Nov-11	Johnson.S	Zhuhai HARTING Limited		<b>TB 09 55 255 x62x</b>
Mod.	Dat.	Name	Sub.		Page 2 / 2