

Max. Temperature: 260° during 10 seconds.

Table with columns for Part number, PL, Screw lock, Index designation, and technical specifications. Includes a table of part numbers and their corresponding PL and Screw lock values, and a table for technical character, date, name, and scale.

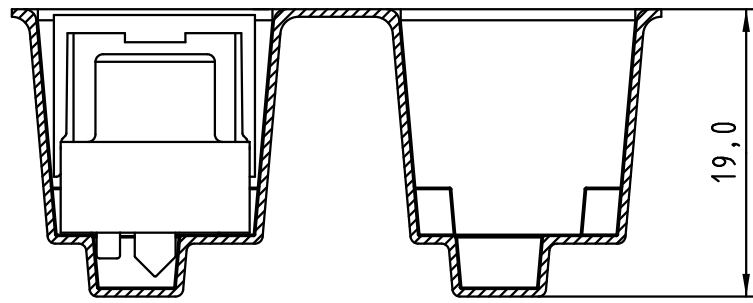
D-Sub SMT, 15 poles Female, Straight with screw locks and ground pins

TB 09 55 255 x62x Page 1/2

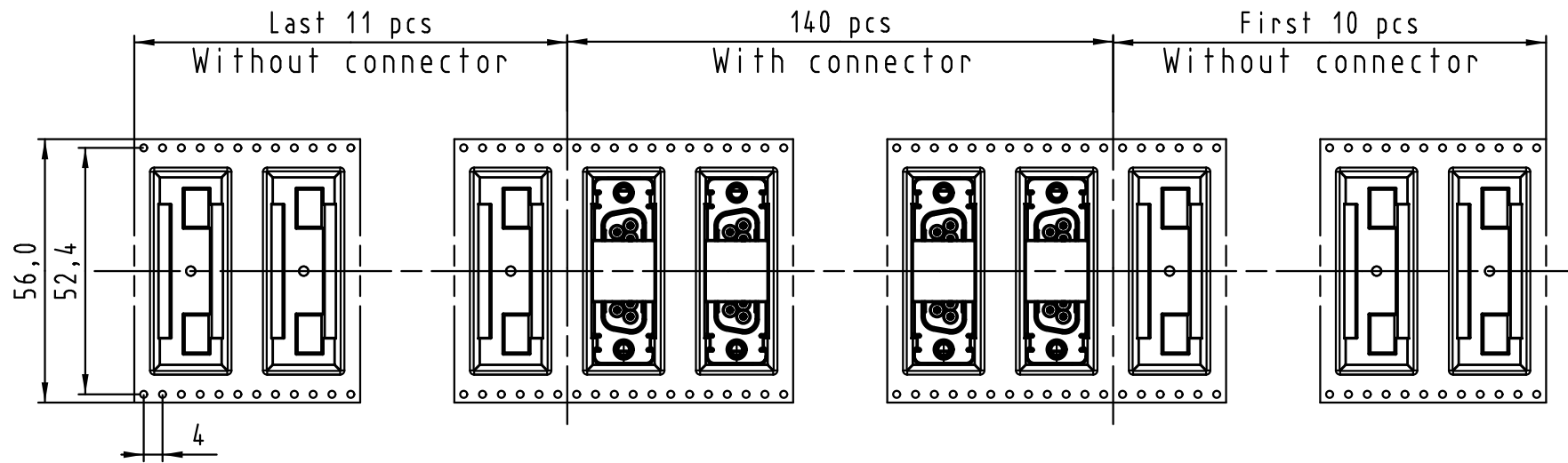
1 2 3 4 5 6 7 8

A

A

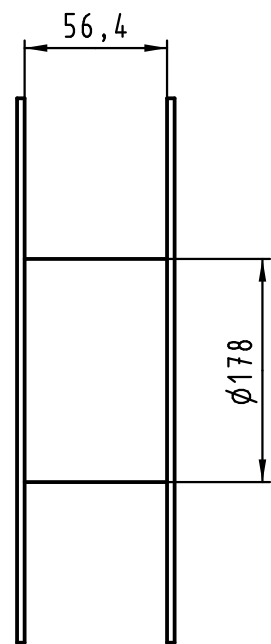
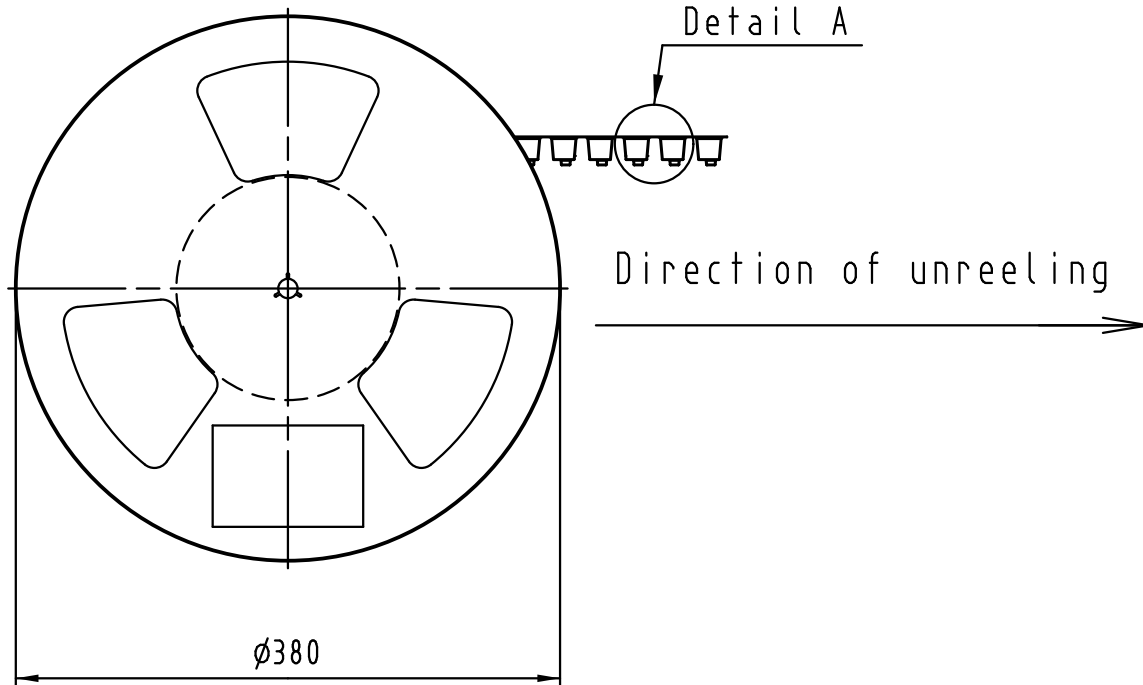


Detail A



C

C



See TB 09 55 255 x62x folio 1/2 for connector dimensions and PCB layout

Packaging in accordance with EIA 481-2.

All rights reserved

E

E

0955 255 3621 741	1	M3	Black insulator	Reel Packaging: 140 connectors
0955 255 3622 741	1	4-40 UNC		
0955 255 6621 741	2	M3		
0955 255 6622 741	2	4-40 UNC		
0955 255 7621 741	3	M3		
0955 255 7622 741	3	4-40 UNC		
Part number	PL	Screw lock	Index designation	

All Dimensions in mm Original Size DIN A 3	Techn. Character.			Free size tolerances	
		Dat.	Name	Scale	
	Detail.	25-Oct-11	Johnson.S	D-Sub SMT, 15 poles Female, Straight with screw locks and ground pins	
	Insp.	17-Nov-11	Steven.W		
Stand.	17-Nov-11	Steven.W			
EC04070	17-Nov-11	Johnson.S	Zhuhai HARTING Limited		TB 09 55 255 x62x
Mod.	Dat.	Name			Sub.

1 2 3 4 5 6 7 8