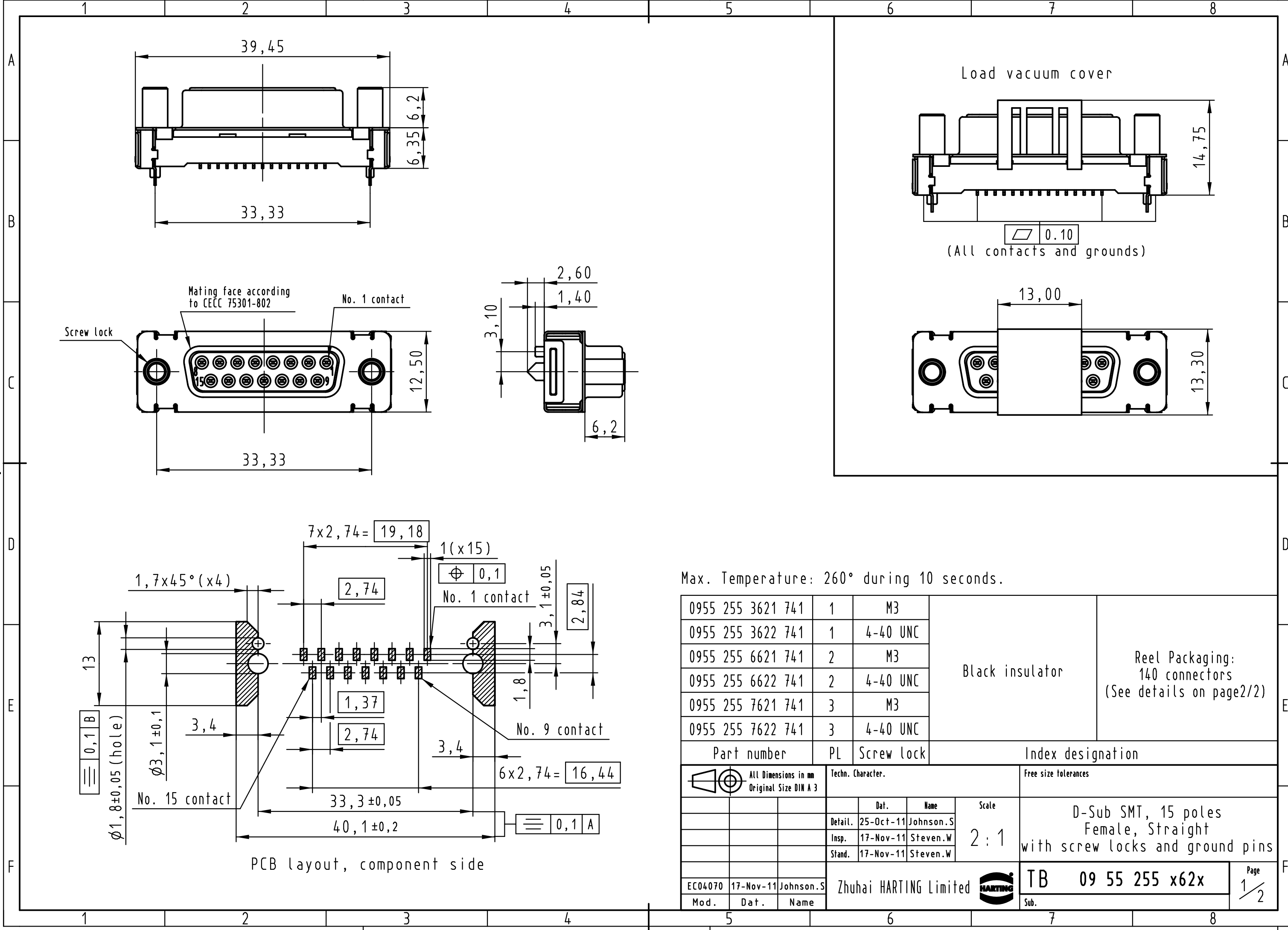
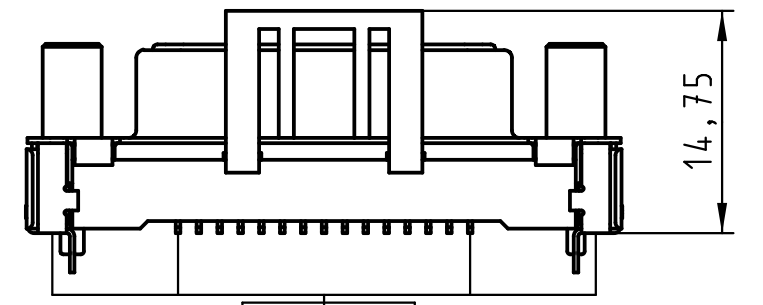


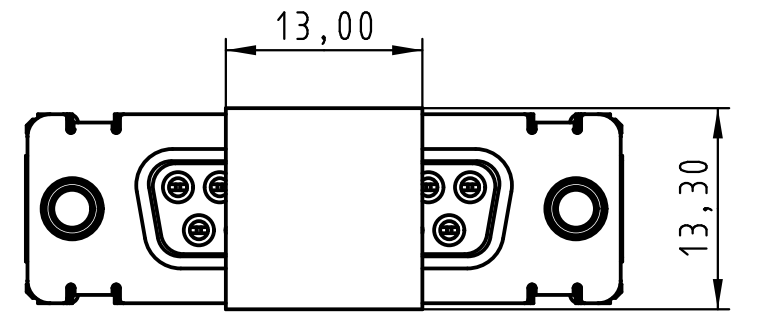
All rights reserved



Load vacuum cover



(All contacts and grounds)



Max. Temperature: 260° during 10 seconds.

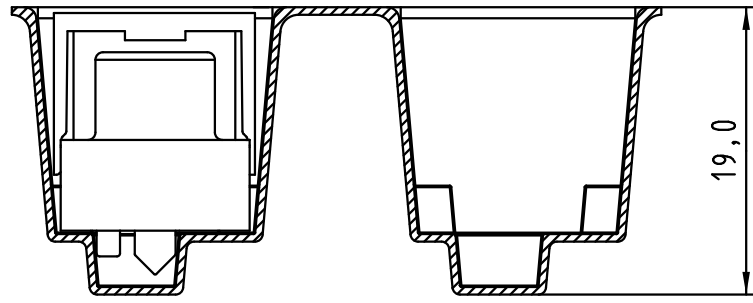
0955 255 3621 741	1	M3	Black insulator	Reel Packaging: 140 connectors (See details on page 2/2)
0955 255 3622 741	1	4-40 UNC		
0955 255 6621 741	2	M3		
0955 255 6622 741	2	4-40 UNC		
0955 255 7621 741	3	M3		
0955 255 7622 741	3	4-40 UNC		

Part number	PL	Screw lock	Index designation
-------------	----	------------	-------------------

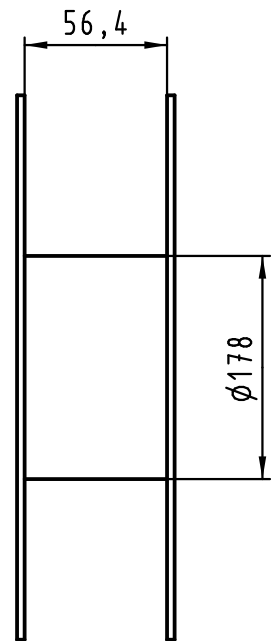
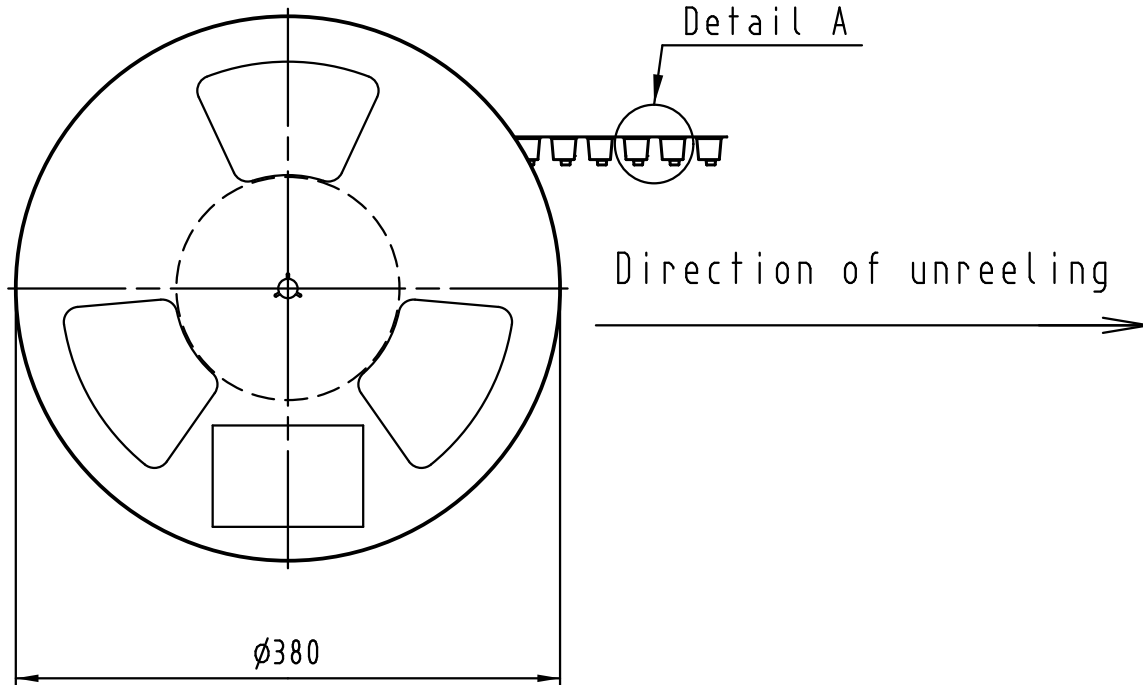
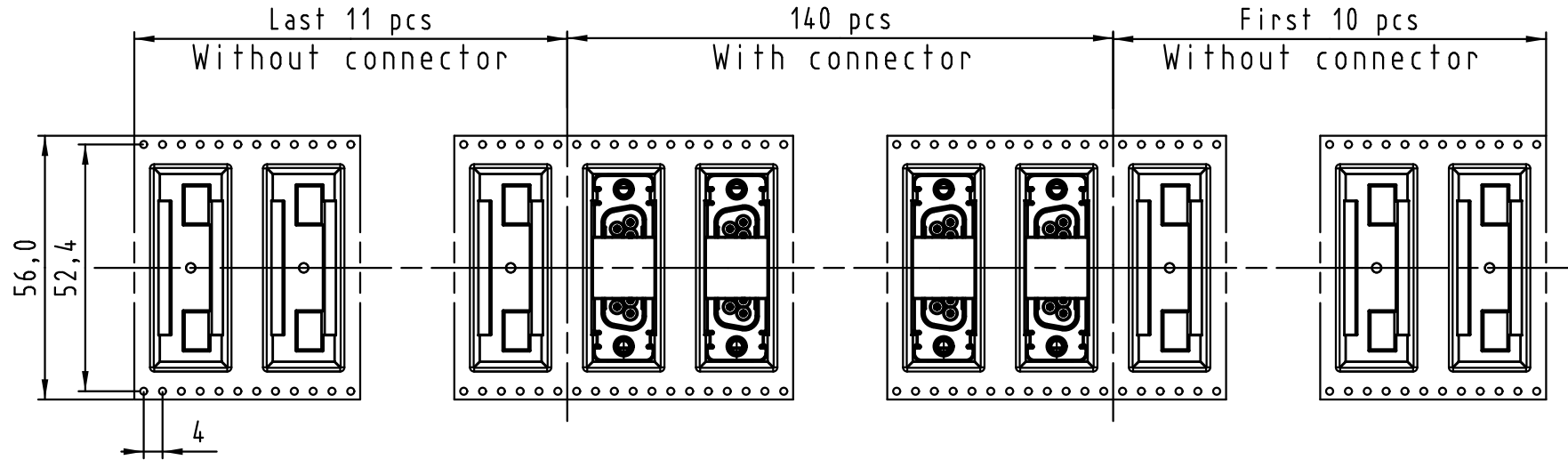
	All Dimensions in mm Original Size DIN A 3			Techn. Character.		Free size tolerances	
		Dat.	Name	Scale		D-Sub SMT, 15 poles Female, Straight with screw locks and ground pins	
		Detail.	25-Oct-11 Johnson.S	2:1			
		Insp.	17-Nov-11 Steven.W				
	Stand.	17-Nov-11 Steven.W					

EC04070	17-Nov-11	Johnson.S	Zhuhai HARTING Limited		TB 09 55 255 x62x	Page 1/2
Mod.	Dat.	Name	Sub.			

All rights reserved



Detail A



See TB 09 55 255 x62x folio 1/2 for connector dimensions and PCB layout

Packaging in accordance with EIA 481-2.

0955 255 3621 741	1	M3	Black insulator	Reel Packaging: 140 connectors
0955 255 3622 741	1	4-40 UNC		
0955 255 6621 741	2	M3		
0955 255 6622 741	2	4-40 UNC		
0955 255 7621 741	3	M3		
0955 255 7622 741	3	4-40 UNC		
Part number	PL	Screw lock	Index designation	

All Dimensions in mm Original Size DIN A 3	Techn. Character.			Free size tolerances	
		Dat.	Name	D-Sub SMT, 15 poles Female, Straight with screw locks and ground pins	
	Detail.	25-Oct-11	Johnson.S		
	Insp.	17-Nov-11	Steven.W		
	Stand.	17-Nov-11	Steven.W		
EC04070	17-Nov-11	Johnson.S	Zhuhai HARTING Limited		TB 09 55 255 x62x Sub.
Mod.	Dat.	Name			
					Page 2/2