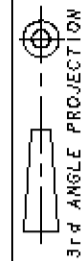


NUMBER
178751

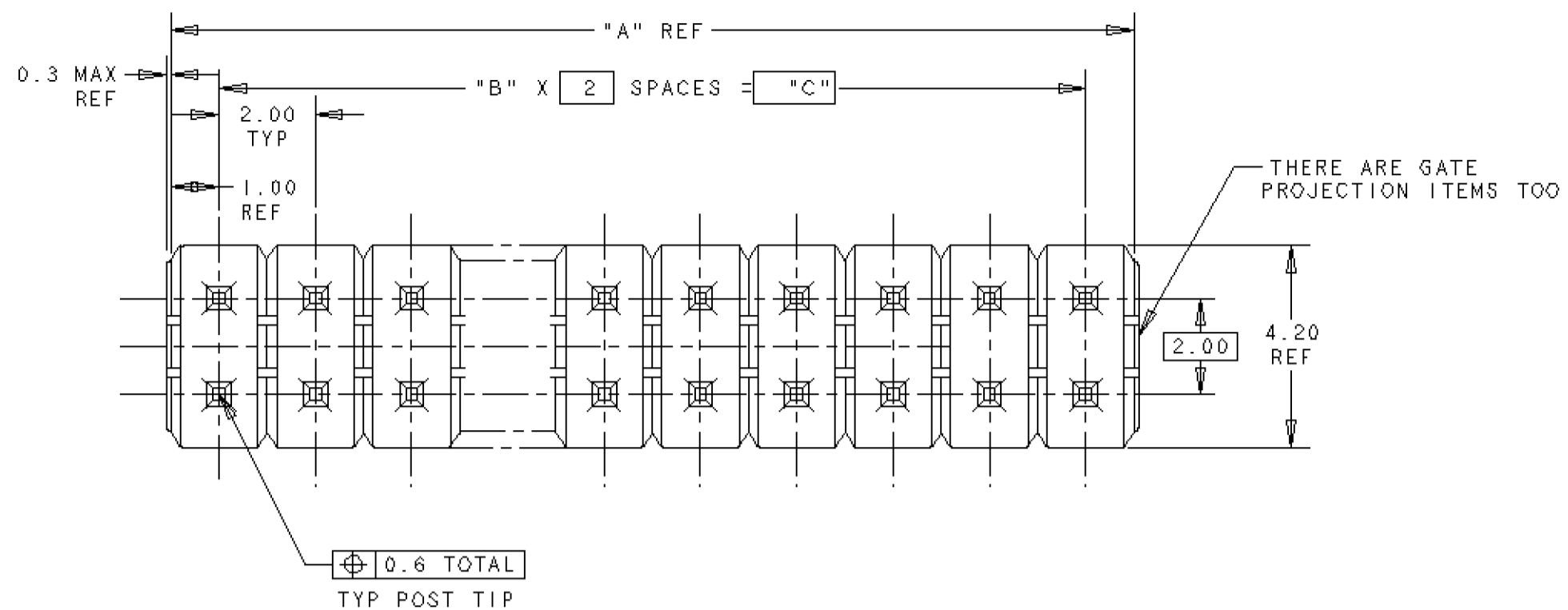


METRIC

CONFIDENTIAL INFORMATION

DIMENSIONS IN MILLIMETERS. DO NOT SCALE PRINT

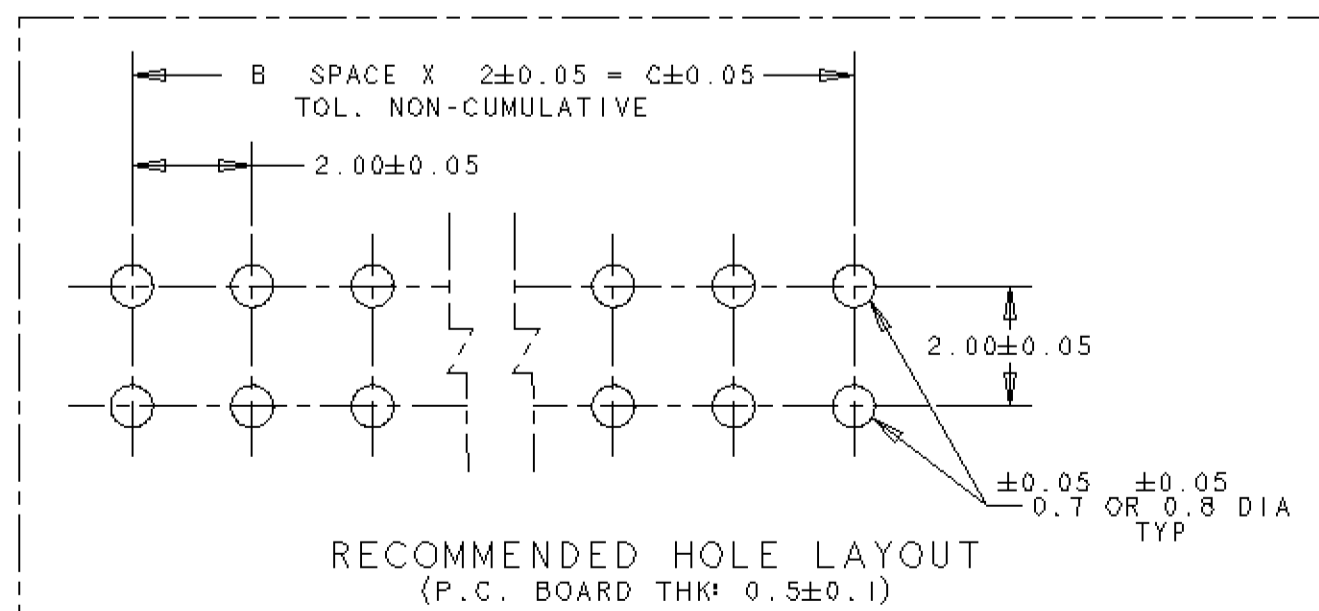
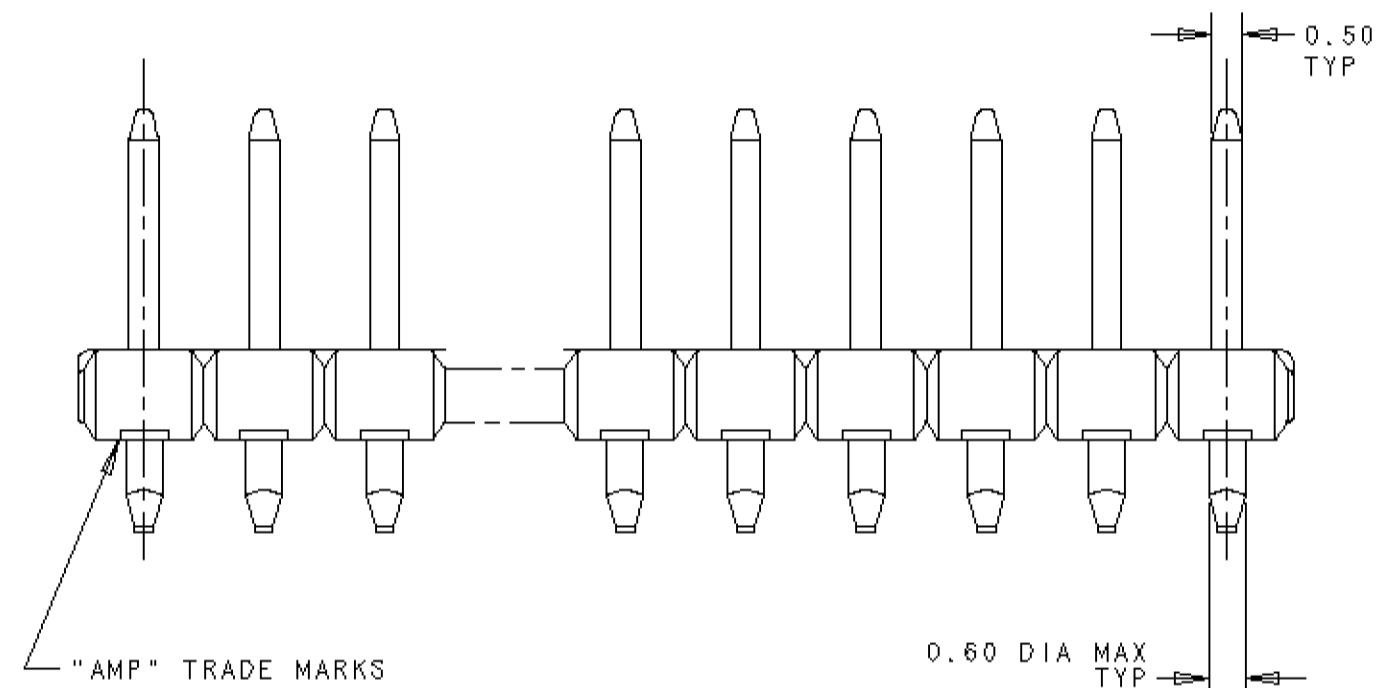
PRINT DIST



NOTES:

- 1 MATERIAL HOUSING: THERMOPLASTIC, UL94V-0, POST: BRASS
- 2 FINISH CONTACT AREA, 'D' MIN Au ON NICKEL 0.0013 MIN ALL OVER POST TINE: 0.001 MIN TIN-LEAD

THERE ARE GATE PROJECTION ITEMS TOO



0.00078	—	—	2	2	5-	-0
0.0002	—	—	2	2	4-	-9
48	24	50	50	4-	-8	
46	23	48	48	4-	-7	
44	22	46	46	4-	-6	
42	21	44	44	4-	-5	
40	20	42	42	4-	-4	
38	19	40	40	4-	-3	
36	18	38	38	4-	-2	
34	17	36	36	4-	-1	
32	16	34	34	4-	-0	
30	15	32	32	3-	-9	
28	14	30	30	3-	-8	
26	13	28	28	3-	-7	
OBSOLETE	24	12	26	26	3-	-6
	22	11	24	24	3-	-5
	20	10	22	22	3-	-4
OBSOLETE	18	9	20	20	3-	-3
	16	8	18	18	3-	-2
	14	7	16	16	3-	-1
	12	6	14	14	3-	-0
	10	5	12	12	2-	-9
	8	4	10	10	2-	-8
	6	3	8	8	2-	-7
	4	2	6	6	2-	-6
0.00078	2	1	4	4	2-	-5
48	24	50	50	2-	-4	
46	23	48	48	2-	-3	
44	22	46	46	2-	-2	
42	21	44	44	2-	-1	
40	20	42	42	2-	-0	
38	19	40	40	1-	-9	
36	18	38	38	1-	-8	
34	17	36	36	1-	-7	
32	16	34	34	1-	-6	
30	15	32	32	1-	-5	
28	14	30	30	1-	-4	
OBSOLETE	26	13	28	28	1-	-3
	24	12	26	26	1-	-2
	22	11	24	24	1-	-1
	20	10	22	22	1-	-0
	18	9	20	20	1-	-9
	16	8	18	18	1-	-8
OBSOLETE	14	7	16	16	1-	-7
	12	6	14	14	1-	-6
OBSOLETE	10	5	12	12	1-	-5
	8	4	10	10	1-	-4
OBSOLETE	6	3	8	8	1-	-3
	4	2	6	6	1-	-2
0.0002	2	1	4	4	178751-1	
STATUS	"D"	"C"	"B" SPACES	"A" REF	NO OF POS	ASS'Y P/N

Copyright ©1991 AMP MANUFACTURING (SINGAPORE) PTE LTD. ALL RIGHTS RESERVED.

AMP AMP MANUFACTURING (SINGAPORE) PTE. LTD.

WIRE RANGE: — mm² (AWG -) INSULATION DIA: — mm² NAME: AMPMODU 2MM PITCH POST HOR, V-TYPE, L=1.5

MATERIAL: SEE NOTE A FINISH: SEE NOTE A GENERAL TOLERANCE: 0< 10 : ±0.2 10< 30 : ±0.25 30< 100 : ±0.3 ANGLES : ±*

DR. 10APR91 I. ENOMOTO DE. 10APR91 I. ENOMOTO APP. SF LEONG

C REVISED FP00-0055-99 LWY LSC 1JUN90

LTR REVISION RECORD DR CHK DATE

SCALE: 8:1 REV. C SHEET 1 OF 1

CUSTOMER DRAWING