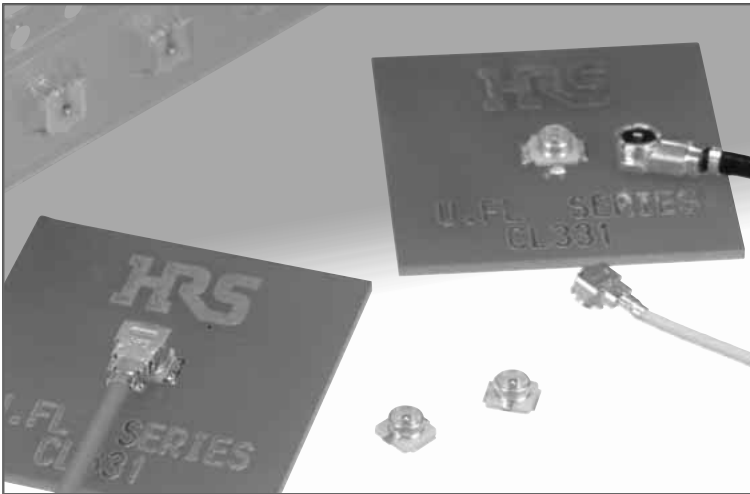


# Ultra Small Surface Mount Coaxial Connectors - 1.9mm or 2.4mm Mated Height

## U.FL Series



### ■ Features

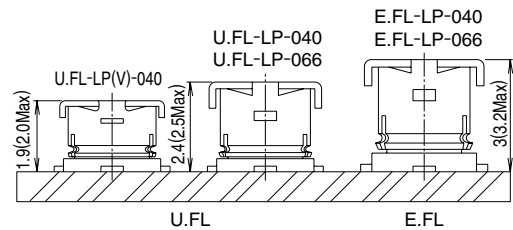
1. Nominal mated height of 1.9 or 2.4mm (Max. 2.0 or 2.5mm)
2. **Small mounting area**  
The receptacle occupies an area of 7.7mm<sup>2</sup>.
3. **Light weight**  
Receptacle: 15.7mg
4. **Accepts high frequency transmission.**  
To meet the frequency requirements of a wide variety of miniature devices, the connectors offer high frequency performance from DC to 6GHz, with a V.S.W.R. of 1.3 to 1.5 max.
5. **Automatic board placement**  
Packaged on tape-and-reel the receptacles can be placed with vacuum nozzles of the automatic placement equipment.
6. **Plugs are terminated with ultra-fine coaxial (fluorinated resin insulated) cable**  
Standard ultra-fine coaxial cable of 0.81mm diameter (single braid shielding) is used for the plug termination, assuring secure and stable connections.
7. **Simple connector mating / unmating**  
Use of available extraction tool assures correct disconnection of the plug and receptacle.
8. **Verification of the fully mated condition**  
Tactile click sensation confirms fully mated condition, assuring complete electrical and mechanical connection.

### ■ Applications

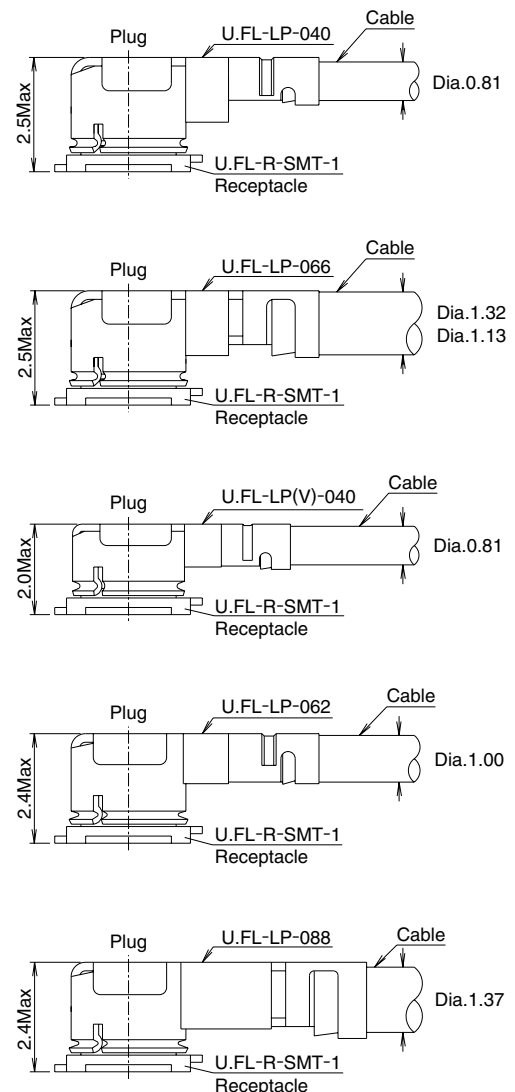
Cellular phones, PHS, mobile phones, wireless communication devices, electronic measuring instruments, GPS, wireless LAN, Bluetooth and any application requiring high frequency transmission using small coaxial connectors.

## Up to 6GHz Transmission Speed

### Mated height comparison (with E.FL series)



### ● Space Factor of Mated Connector



**U.F.L Series Ultra Small Surface Mount Coaxial Connectors - 1.9mm or 2.4mm Mated Height**

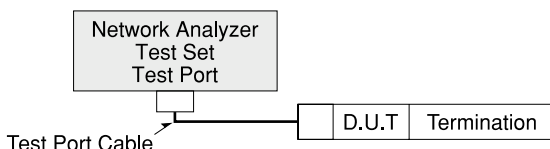
**Product Specifications**

|         |                                  |            |                             |                |                           |                |
|---------|----------------------------------|------------|-----------------------------|----------------|---------------------------|----------------|
| Ratings | Nominal characteristic impedance | 50 ohms    | Operating temperature range | -40°C to +90°C | Storage temperature range | -30°C to +70°C |
|         | Frequency range                  | DC to 6GHz | Operating humidity          | 90%RH max.     | Storage humidity          | 90%RH max.     |

| Item  | Specification  | Conditions  |           |
|---|--|---|-----------|
| 1. Contact resistance   | Center : 20 m ohms max.<br>Outer : 10 m ohms max.  | 10 mA max.  |           |
| 2. Insulation resistance  | 500 M ohms min.  | 100 V DC  |           |
| 3. Withstanding voltage   | No flashover or insulation breakdown.  | 200 V AC / 1 minute   |           |
| 4. V.S.W.R.*  | Part No.   | Up to 3GHz  | 3 to 6GHz |
|   | U.FL-LP-040 dia.0.81mm Coaxial Cable Assembly  | 1.3 Max   | 1.35 Max  |
|   | U.FL-LP(V)-040 dia.0.81mm Coaxial Cable Assembly   | 1.3 Max   | 1.3 Max   |
|   | U.FL-LP-066 dia.1.13mm Coaxial Cable Assembly  | 1.3 Max   | 1.4 Max   |
|   | U.FL-LP-066 dia.1.32mm Coaxial Cable Assembly  | 1.3 Max   | 1.5 Max   |
|   | U.FL-LP-062 dia.1mm Coaxial Cable Assembly   | 1.3 Max   | 1.3 Max   |
|   | U.FL-LP-088 dia.1.37mm Coaxial Cable Assembly  | 1.3 Max   | 1.4 Max   |
| 5. Durability<br>(mating / un-mating,<br>with corresponding plug) | Contact resistance<br>Center : 25 m ohms max.<br>Outer : 15 m ohms max.  | 30 cycles   |           |
| 6. Vibration  | No electrical discontinuity of 1μs min.  | Frequency: 10 to 100 Hz, single amplitude of 1.5mm, acceleration of 59m/s <sup>2</sup> , for 5 cycles in the direction of each of the 3 axis. |           |
| 7. Shock  | No damage, cracks or parts dislocation.  | Acceleration of 735 m/s <sup>2</sup> , 11ms duration, sine half-wave waveform, 3 cycles in each of 3 axes.                                    |           |
| 8. Humidity<br>(Steady state)                                     | No damage, cracks or parts dislocation.<br>Insulation resistance 10 M ohms min.(humidity high)<br>Insulation resistance 500 M ohms min.(dry) | 96 hours at temperature of 40°C and humidity of 95%.  |           |
| 9. Temperature cycle  | No damage, cracks or parts dislocation.<br>Contact resistance: 25 m ohms max. (Center)<br>15 m ohms max. (Outer)                             | Temperature: -40°C→+5 to +35°C→+90°C→+5 to +35°C<br>Time: 30min.→ 3min. →30min.→ 3min.<br>5 cycles  |           |
| 10. Salt spray  | No excessive corrosion   | 5% salt water solution, 48 hours  |           |

\*V.S.W.R. Measurement System

The above V.S.W.R. standard values were measured using the measurement connection shown below.



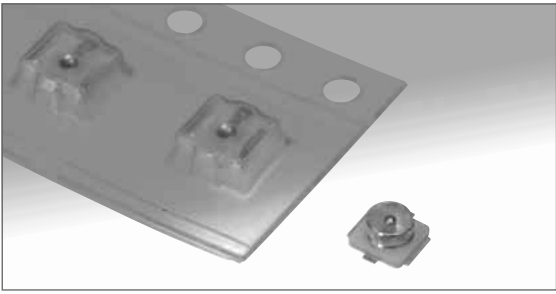
Note 1: Cable type connectors were measured with SMA conversion adapters attached to both ends of the harness product of a suitable 100cm cable.

Note 2: Board type connectors were mounted to a 50Ω glass epoxy board and measurements were conducted with SMA conversion adapters attached.

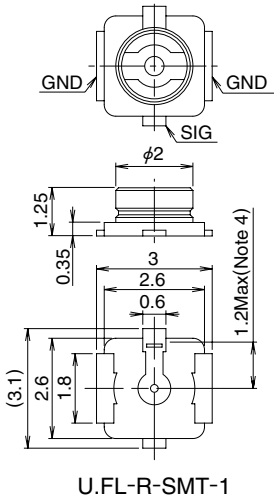
**Material / Finishes**

| Part                  | Material        |     | Finish        | Remarks |
|-----------------------|-----------------|-----|---------------|---------|
| Shell                 | Phosphor bronze |     | Silver plated | _____   |
| Male center contact   | Brass           |     | Gold plated   | _____   |
| Female center contact | Phosphor bronze |     | Gold plated   | _____   |
| Insulator             | Plug            | PBT | Color: Black  | UL94V-0 |
|                       | Receptacle      | LCP | Color: Beige  | UL94V-0 |

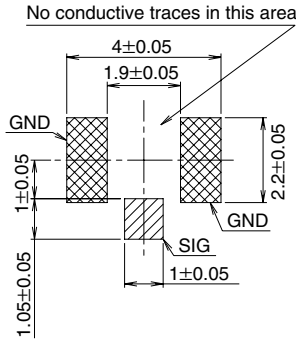
## Receptacles



- Note 1: Receptacles of (01) specification are sold by the bag with 100 pieces per bag. Please order in pack units.
- Note 2: Receptacles of (10) specification are sold by the reel (which contains 2,500 pieces). Please order in reel units.
- Note 3: Receptacles of (40) specification are sold by the reel (Which contains 4,000 pieces)
- Note 4: This area may be covered by insulating material.



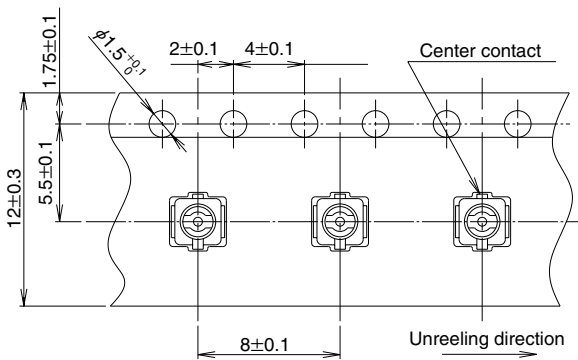
## Recommended PCB Mounting Pattern



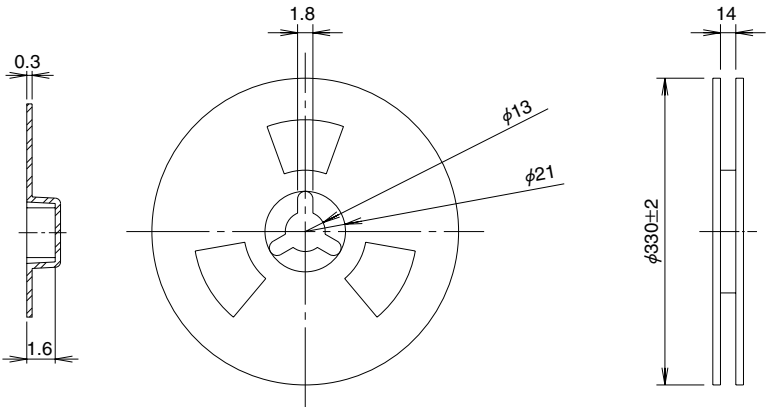
| Part No.          | CL No.        | Packaging                          | Weight / EA | RoHS |
|-------------------|---------------|------------------------------------|-------------|------|
| U.F.L-R-SMT-1(01) | 331-0472-2-01 | Bag packaging (100 pieces/bag)     | 15.7/mg     | YES  |
| U.F.L-R-SMT-1(10) | 331-0472-2-10 | Reel packaging (2,500 pieces/reel) |             |      |
| U.F.L-R-SMT-1(40) | 331-0472-2-40 | Reel packaging (4,000 pieces/reel) |             |      |

## Packaging Specifications

### Embossed Carrier Tape Dimensions



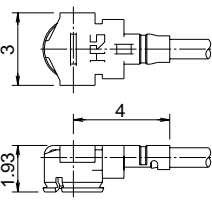
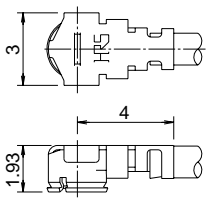
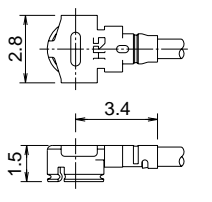
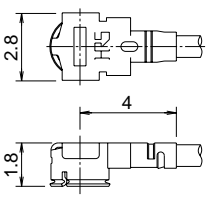
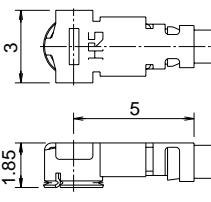
### Reel Dimensions



U.FL Series Ultra Small Surface Mount Coaxial Connectors - 1.9mm or 2.4mm Mated Height

## ■ Cable Assembly (Plug)



|                  | U.FL-LP-040   | U.FL-LP-066   | U.FL-LP(V)-040   | U.FL-LP-062   | U.FL-LP-088   |
|------------------|---|---|--|---|---|
| Part No.         |  |  |  |  |  |
| Mated Height     | 2.5mm Max.<br>(2.4mm Nom.)  | 2.5mm Max.<br>(2.4mm Nom.)  | 2.0mm Max.<br>(1.9mm Nom.)   | 2.4mm Max.<br>(2.3mm Nom.)  | 2.4mm Max.<br>(2.3mm Nom.)  |
| Applicable cable | Dia. 0.81mm<br>Coaxial cable  | Dia. 1.13mm and<br>Dia. 1.32mm<br>Coaxial cable                                   | Dia. 0.81mm<br>Coaxial cable   | Dia. 1mm<br>Coaxial cable   | Dia. 1.37mm<br>Coaxial cable  |
| Weight (mg)      | 53.7  | 59.1  | 34.8   | 45.5  | 71.7  |
| RoHS             | YES   |   |  |   |   |

## ● Cable Guide

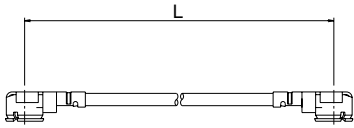
| Description                 | Cable Type | Cable Specification   |                     |                            |                 |                   |                        |                        |
|-----------------------------|------------|-----------------------|---------------------|----------------------------|-----------------|-------------------|------------------------|------------------------|
|                             |            | Inner Conductor*      | Dielectric Diameter | Outer Conductor*           | Jacket Diameter | Nominal Impedance | Nominal attenuation    |                        |
|                             |            |                       |                     |                            |                 |                   | At 3GHz                | At 6GHz                |
| Dia.0.81mm<br>Coaxial Cable | 04         | 7/0.05 SA<br>(AWG36)  | Dia.0.40<br>PFA     | Single<br>Shield TA[SA]    | Dia.0.81<br>PFA | 50 ohms           | 6.52dB/m<br>[6.45dB/m] | 9.52dB/m<br>[9.42dB/m] |
| Dia.1.13mm<br>Coaxial Cable | 068        | 7/0.08 SA<br>(AWG32)  | Dia.0.68<br>FEP     | Single<br>Shield TA[SA]    | Dia.1.13<br>FEP | 50 ohms           | 3.73dB/m<br>[3.43dB/m] | 5.44dB/m<br>[5.13dB/m] |
| Dia.1.32mm<br>Coaxial Cable | 066        | 7/0.08 SA<br>(AWG32)  | Dia.0.66<br>FEP     | Double<br>Shield TA        | Dia.1.32<br>FEP | 50 ohms           | 3.8dB/m                | 5.6dB/m                |
| Dia.1mm<br>Coaxial Cable    | 062        | 7/0.071 SA<br>(AWG33) | Dia.0.62<br>FEP     | Tape, single<br>Shield TAT | Dia.1<br>FEP    | 50 ohms           | 3.1dB/m                | 4.4dB/m                |
| Dia.1.37mm<br>Coaxial Cable | 088        | 7/0.102 SA<br>(AWG30) | Dia.0.88<br>FEP     | Single<br>Shield TA        | Dia.1.37<br>FEP | 50 ohms           | 2.8dB/m                | 4.3dB/m                |

(data as provided by cable suppliers, for reference only)

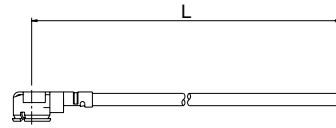
\* SA : Silver plated annealed copper wire, TA : Tin plated annealed copper wire, TAT : Tin plated copper wire alloyed with tin

## How to Specify Plug Cable Assembly

Double-Ended Cable Assembly



Single-Ended Cable Assembly



### Ordering Information

**U.FL - [1] LP - [2] - A - (L)**

①                      ②                      ③                      ④

|                    |   |
|--------------------|---|
| ① Series name      | U.FL  |
| ② Assembly type    | LP: Single ended<br>2LP: Double ended   |
| ③ Cable type       | 04 : Dia.0.81mm Coaxial Cable<br>068 : Dia.1.13mm Coaxial Cable<br>066 : Dia.1.32mm Coaxial Cable<br>062 : Dia.1 mm Coaxial Cable<br>088 : Dia.1.37mm Coaxial Cable |
| ④ Total length(mm) | Length(L)   |

### Standard Tolerances for (L)

| L                    | Standard Tolerance |
|----------------------|--------------------|
| L=35 to 200mm        | ± 4mm              |
| L=200 to 500mm       | ± 8mm              |
| L=500 to 1000mm      | ±12mm              |
| L=Longer than 1000mm | ±1.5% of (L)       |

Note1: Minimum available length (L) is 35mm

Note2: Contact nearest HRS representative if different tolerances are required.

Note3: Contact Nearest HRS representative if one end requires preparation.

| Part No. of Plug | Part No. of Cable Assembly | Description  | RoHS |
|------------------|----------------------------|--|------|
| U.FL-LP-040      | U.FL-2LP-04N1T-A-(L)       | Dia. 0.81mm double ended coaxial cable, color: white | YES  |
|                  | U.FL-2LP-04N2T-A-(L)       | Dia. 0.81mm double ended coaxial cable, color: black |      |
|                  | U.FL-LP-04N1T-A-(L)        | Dia. 0.81mm single ended coaxial cable, color: white |      |
|                  | U.FL-LP-04N2T-A-(L)        | Dia. 0.81mm single ended coaxial cable, color: black |      |
| U.FL-LP-066      | U.FL-2LP-068N1T-A-(L)      | Dia. 1.13mm double ended coaxial cable, color: gray  |      |
|                  | U.FL-2LP-068N2T-A-(L)      | Dia. 1.13mm double ended coaxial cable, color: black |      |
|                  | U.FL-LP-068N1T-A-(L)       | Dia. 1.13mm single ended coaxial cable, color: gray  |      |
|                  | U.FL-LP-068N2T-A-(L)       | Dia. 1.13mm single ended coaxial cable, color: black |      |
| U.FL-LP-066      | U.FL-2LP-066N1-A-(L)       | Dia. 1.32mm double ended coaxial cable, color: gray  |      |
|                  | U.FL-2LP-066N2-A-(L)       | Dia. 1.32mm double ended coaxial cable, color: black |      |
|                  | U.FL-LP-066N1-A-(L)        | Dia. 1.32mm single ended coaxial cable, color: gray  |      |
|                  | U.FL-LP-066N2-A-(L)        | Dia. 1.32mm single ended coaxial cable, color: black |      |
| U.FL-LP(V)-040   | U.FL-2LP(V)-04N1T-A-(L)    | Dia. 0.81mm double ended coaxial cable, color: white |      |
|                  | U.FL-2LP(V)-04N2T-A-(L)    | Dia. 0.81mm double ended coaxial cable, color: black |      |
|                  | U.FL-LP(V)-04N1T-A-(L)     | Dia. 0.81mm single ended coaxial cable, color: white |      |
|                  | U.FL-LP(V)-04N2T-A-(L)     | Dia. 0.81mm single ended coaxial cable, color: black |      |
| U.FL-LP-062      | U.FL-2LP-062N1D-A-(L)      | Dia. 1mm double ended coaxial cable, color: gray     |      |
|                  | U.FL-2LP-062N2D-A-(L)      | Dia. 1mm double ended coaxial cable, color: black    |      |
|                  | U.FL-LP-062N1D-A-(L)       | Dia. 1mm single ended coaxial cable, color: gray     |      |
|                  | U.FL-LP-062N2D-A-(L)       | Dia. 1mm single ended coaxial cable, color: black    |      |
| U.FL-LP-088      | U.FL-2LP-088N1T-A-(L)      | Dia. 1.37mm double ended coaxial cable, color: gray  |      |
|                  | U.FL-2LP-088N2T-A-(L)      | Dia. 1.37mm double ended coaxial cable, color: black |      |
|                  | U.FL-LP-088N1T-A-(L)       | Dia. 1.37mm single ended coaxial cable, color: gray  |      |
|                  | U.FL-LP-088N2T-A-(L)       | Dia. 1.37mm single ended coaxial cable, color: black |      |

Please contact Hirose Sales Representative for cable length and cable end treatment.

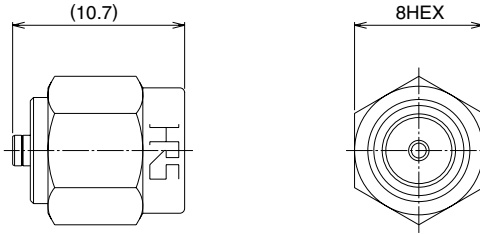
**U.FL Series Ultra Small Surface Mount Coaxial Connectors - 1.9mm or 2.4mm Mated Height**

**■ Conversion Adapters**

**● SMA Conversion Adapter  
 (Mating portion: U.FL side jack - SMA side plug)**



Note: The U.FL side mating portions has a lower lock retention force than the regular product, therefore, cannot be used for purposes other than performance measurements.

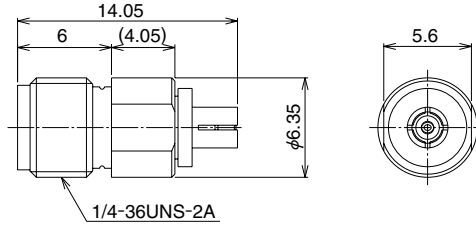


| Part No.       | CL No.        | RoHS |
|----------------|---------------|------|
| HRMP-U.FLJ(40) | 311-0300-2-40 | YES  |

**● SMA Conversion Adapter  
 (Mating portion: U.FL side plug - SMA side jack)**



Note: The U.FL side mating portions has a lower lock retention force than the regular product, therefore, cannot be used for purposes other than performance measurements.

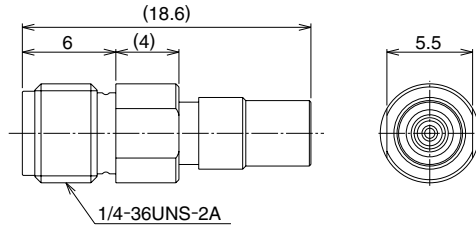


| Part No.       | CL No.        | RoHS |
|----------------|---------------|------|
| HRMJ-U.FLP(40) | 311-0301-5-40 | YES  |

**● SMA Conversion Adapter  
 (Mating portion: U.FL side plug - SMA side jack)**



Note: This connector is used by compressing the mated portion of U.FL side onto the U.FL-R-SMT-1 portion.

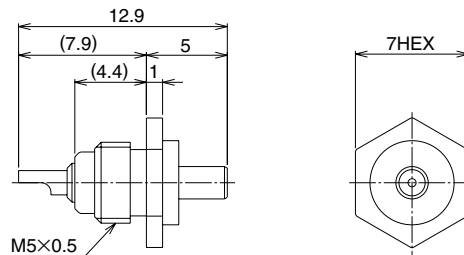


| Part No.           | CL No.        | RoHS |
|--------------------|---------------|------|
| HRMJ-U.FLP-ST1(40) | 311-0385-5-40 | YES  |

**■ Receptacle to Inspection**



This receptacle is used for inspecting the continuity, withstand voltage, and other aspects of the harness product.



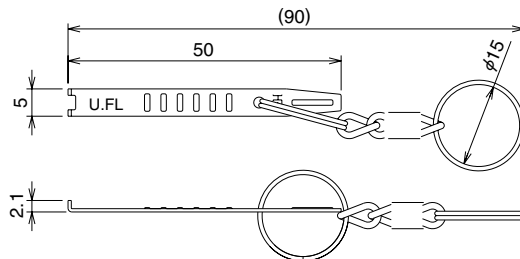
| Part No. | CL No.     | RoHS |
|----------|------------|------|
| U.FL-R-1 | 331-0466-0 | YES  |

**■ Plug Extraction Tool**

This jig is used for extraction from a mating condition.



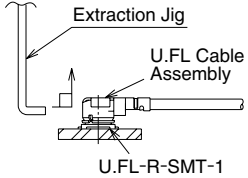
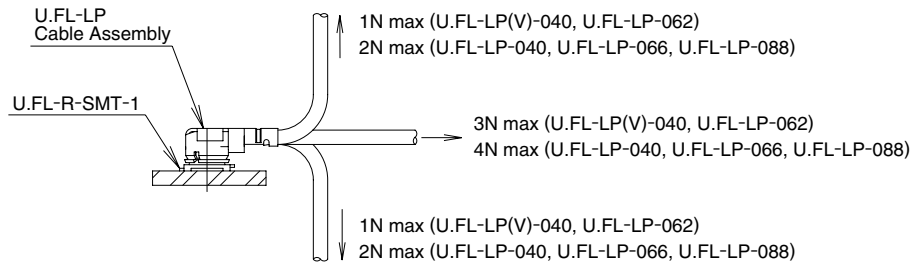
Note: Part No. U.FL-LP-N-2 for U.FL-LP-040/066/088.  
 Part No. U.FL-LP(V)-N-2 for U.FL-LP(V)-040/U.FL-LP-062.



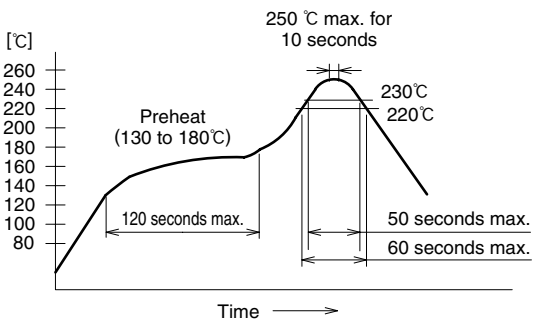
| Part No.       | CL No.     | RoHS |
|----------------|------------|------|
| U.FL-LP-N-2    | 331-0494-5 | YES  |
| U.FL-LP(V)-N-2 | 331-0493-2 |      |

## Usage Precautions

### 1. Plugs

|   |   |
|---|---|
| <p>(1) Mating / unmating</p>                                    | <p>1) To disconnect connectors, insert the end portion of U.FL-LP-N-2 and U.FL-LP(V)-N-2 under the connector flanges and pull off vertically, in the direction of the connector mating axis.<br/>                 2) To mate the connectors, the mating axes of both connectors must be aligned and the connectors can be mated. The "click" will confirm fully mated connection. Do not attempt to insert on an extreme angle.</p>  |
| <p>(2) Pull forces on the cable after connectors are mated.</p> | <p>After the connectors are mating, do not apply a load to the cable in excess of the values indicated in the diagram below.</p>    |
| <p>(3) Precautions</p>  | <p>Do NOT forcefully twist or deform wires.</p>   |

### 2. Receptacles

|   |   |
|---|---|
| <p>(1) Recommended reflow temperature profile</p> |  <ol style="list-style-type: none"> <li>① The temperature of the printed circuit board surface temperature at the points of contact with the terminals.</li> <li>② Reflow soldering should be performed at a printed circuit surface temperature of 250°C max.</li> <li>③ In individual applications the actual temperature may vary, depending on the solder paste type, volume / thickness and board size / thickness. Consult your solder paste and equipment manufacturer for specific recommendations.</li> </ol> |
| <p>(2) Recommended manual soldering</p>           | <p>Manual soldering: 350°C for 5 seconds</p>  |
| <p>(3) Recommended metal mask thickness</p>       | <p>0.1 to 0.12 mm</p>   |
| <p>(4) Reflow cycles</p>                          | <p>2 times</p>  |

### 3. Operating environment and storage conditions

|  |   |
|--|---|
| <p>(1) Operating environment</p>           | <p>The connectors are not designed to operate in the following environments:</p> <ul style="list-style-type: none"> <li>• Exposed to a excessive amounts of fine particles and dust</li> <li>• Regions and places having a high density of sulfur dioxide, hydrogen sulfide, nitrogen dioxide or other corrosive gasses.</li> <li>• Environments having large rapid variations in temperature.</li> </ul> |
| <p>(2) Storage conditions - Receptacle</p> | <p>Store in the Hirose Electric packaging.<br/>                 Temperature: -10 to +40°C, Humidity: 85% max.<br/>                 Use within 6 months of delivery.<br/>                 Receptacles for which the storage period has elapsed must be tested for solderability to the PC board mounting surface.</p>  |



Поставка электронных компонентов

**Юридический адрес организации:**  
198099, г. Санкт-Петербург, ул. Калинина, дом 2, кор. 4, лит А.  
**Фактический адрес организации:**  
198099, г. Санкт-Петербург, ул. Калинина, дом 2, кор. 4, лит А.  
ИНН 780277764  
КПП 780501001  
Р/С 40702810422510004035 ФАКБ "АБСОЛЮТ БАНК" (ЗАО) в Санкт-Петербурге К/С 30101810900000000703  
БИК 044030703  
**Телефон:** 8 (812) 309-44-11 (многоканальный)  
**Факс:** 8 (812) 309-44-11  
**Электронная почта:** [sales@timechips.ru](mailto:sales@timechips.ru)  
**Сайт:** [timechips.ru](http://timechips.ru)

## Информационное письмо

Компания «ТаймЧипс» - одна из наиболее динамично развивающихся компаний в сфере поставок электронных компонентов. Мы поставляем широкую номенклатуру электронных компонентов отечественных и импортных производителей, как напрямую, так и с крупных мировых складов, позволяющих охватить выборочную номенклатуру более 300 брендов, а также специализируемся на поставках дисплеев и является официальным дистрибьютором компании Shenzhen Startek Electronic Technology Co, на территории Российской Федерации.

Наличие собственной логистики позволяет в кратчайшие сроки доставлять товар нашим клиентам. В нашей компании имеется Конструкторский отдел, где наши специалисты проводят технические консультации клиентов, квалифицированную поддержку и помощь российским разработчикам. Осуществляем Поставки импортной продукции под контролем ВП МО РФ, на предприятия Оборонно-промышленного комплекса России. Система менеджмента качества компании соответствует требованиям ГОСТ ISO 9001-2011.

Благодаря нацеленности на результат, мы уверенно занимаем новые позиции на рынке, заинтересовывая Клиента не только актуальными ценами и гибким подходом, но и постоянным вниманием.

**Миссия** – обеспечение долгосрочного и взаимовыгодного партнерства с клиентами.

**Наша цель** – Обеспечение клиентам самого широкого ассортимента электронных компонентов и бесперебойности поставок.

**Мы - это развитие! Мы задаем темп! Мы разные, но вместе! Мы работаем для вас!**

Так же имеем прямые поставки от производителей:

TAI-SAW Пав-компоненты ([www.taisaw.com](http://www.taisaw.com))

TRANSCOM СВЧ-компоненты ([www.transcominc.com.tw](http://www.transcominc.com.tw))

Mini Circuits ВЧ-СВЧ-компоненты ([minicircuits.com](http://minicircuits.com))

SAMTEC- разъемы ([www.samtec.com](http://www.samtec.com))

4Star Разъемы РЧ (Даташиты по продукции 4Star, которые Вы сможете загрузить по этой ссылке: <https://yadi.sk/i/tPjnmGGrpmbYj>)

ULNION Преобразователи напряжения ([converterdc.com/](http://converterdc.com/))



**Отличные рекомендации на рынке, уверенность в качестве поставляемой продукции делают нас надежными партнерами для наших клиентов.**

**«ТаймЧипс» - это:**

- Гарантия качества поставляемой продукции;
- Широкий ассортимент;
- Минимальные сроки поставок;
- Техническая поддержка;
- Подбор комплектации;
- Индивидуальный подход;
- Гибкие цены.

**Модули, микросхемы, пассивные компоненты, Xilinx (XC), Altera (EP,EPF, EPM) и силовая электроника** – это наши ведущие позиции, на поставку которых мы гарантированно дадим Вам самые выгодные предложения!

**В структуру компании так же входит конструкторский отдел, который помогает разработчикам и конструкторам в решении следующих задач:**

- Оценка стоимости проекта по компонентам;
- Подбор оптимального решения при выборе компонента;
- Подбор аналогов;
- Техническая поддержка;
- Консультации у производителей;
- Поставка прототипов;

*С Уважением, Чернов Павел.*

*Руководитель отдела продаж ООО "ТАЙМЧИПС"*

*Официальный дистрибьютор Shenzhen Startek Electronic Technology Co.,Ltd в России (USB Display Modules , LED Displays, Serial Modules).*

<http://www.timechips.ru/>

<http://lcd-timechips.ru/>

**Телефон: +7 (812) 309-44-11 доб. 141**

**Факс: +7 (812) 309-44-11 доб. 152**

**Моб. Тел. +7 (905) 232-40-65**

**Skype: time.chips5**

**Электронная почта: [manager1@timechips.ru](mailto:manager1@timechips.ru)**

---