

In case of consideration for using Automotive equipment / device which demand high reliability, kindly contact our sales window correspondents.

COUNT	DESCRIPTION OF REVISIONS	BY	CHKD	DATE	COUNT	DESCRIPTION OF REVISIONS	BY	CHKD	DATE
△					△				
△					△				
△					△				

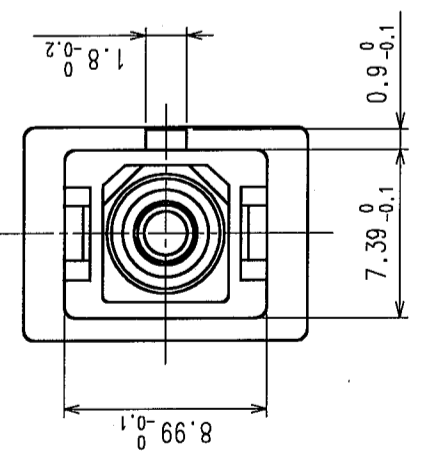
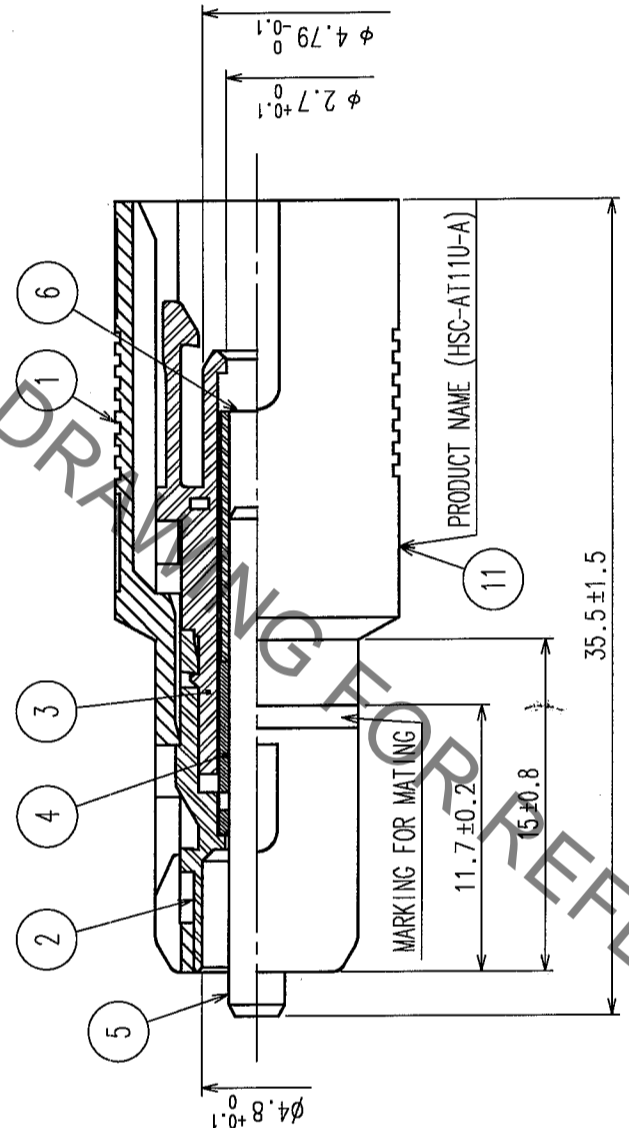
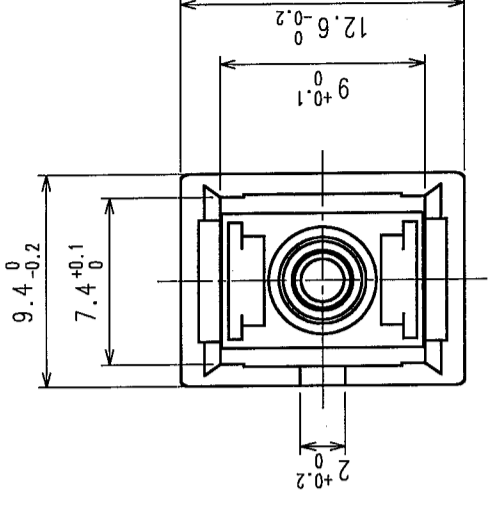
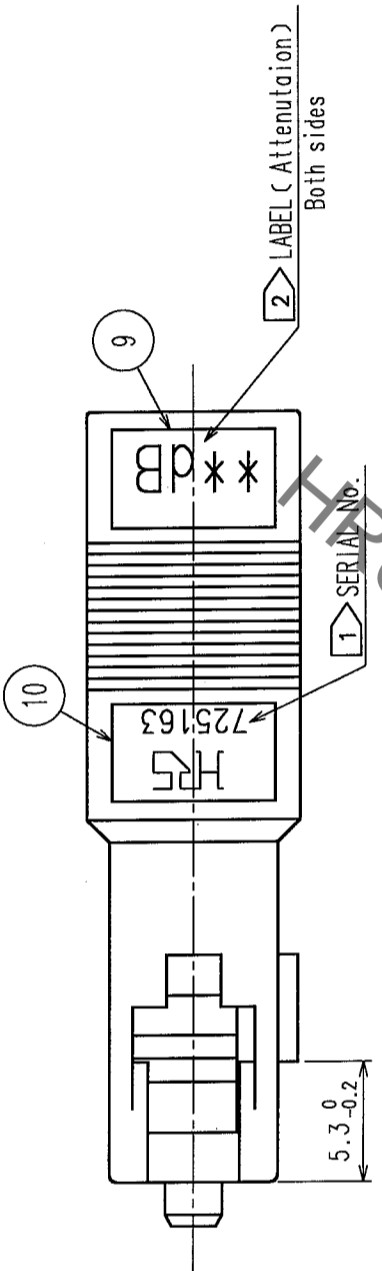
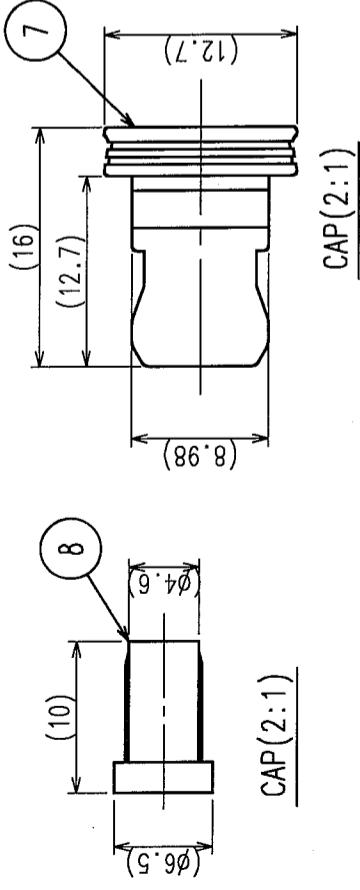


TABLE 1

* ATT.	PART NO.	HRS NO.	** ATT.	PART NO.	HRS NO.
00	0dB	HSC-AT11U-A00	10	10dB	HSC-AT11U-A10
01	1dB	HSC-AT11U-A01	11	11dB	HSC-AT11U-A11
02	2dB	HSC-AT11U-A02	12	12dB	HSC-AT11U-A12
03	3dB	HSC-AT11U-A03	13	13dB	HSC-AT11U-A13
04	4dB	HSC-AT11U-A04	14	14dB	HSC-AT11U-A14
05	5dB	HSC-AT11U-A05	15	15dB	HSC-AT11U-A15
06	6dB	HSC-AT11U-A06	16	16dB	HSC-AT11U-A16
07	7dB	HSC-AT11U-A07	20	20dB	HSC-AT11U-A20
08	8dB	HSC-AT11U-A08	25	25dB	HSC-AT11U-A25
09	9dB	HSC-AT11U-A09	30	30dB	HSC-AT11U-A30
					CL820-9510-6
					CL820-9511-9
					CL820-9512-1
					CL820-9513-4
					CL820-9514-7
					CL820-9515-0
					CL820-9516-2
					CL820-9517-7
					CL820-9518-8
					CL820-9519-0

NOTE 1 AN EXAMPLE OF SERIAL NO.
 2 THE SIGN ** CORRESPONDS TO THE ATTENUATION.
 3 PART NO. CORRESPONDING TO THE ATTENUATION ARE WRITTEN IN TABLE1.

NO.	MATERIAL	FINISH, REMARKS	NO.	MATERIAL	FINISH, REMARKS
5	Zirconia		11	Polyester	
4	Stainless Steel		10	Polyester	
3	Synthetic Resin		9	Polyester	
2	Synthetic Resin		8	Polyester Elastomer	Black
1	Zink Alloy Die Casting	Nickel Plated	7	Synthetic Resin	Black
			6	Zirconia	

CODE NO. (OLD)	DRAWN	DESIGNED	CHECKED	APPROVED	RELEASED
	T. Oshida	T. Oshida	M. Kaneko	M. Tachibana	
	04.1.20	04.1.20	04.1.21	04.1.21	

DRAWING NO.	EDC3-175583	PART NO.	HSC-AT11U-A**
SCALE	3 : 1	CODE NO.	CL820
UNITS	mm		

TO	