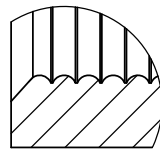
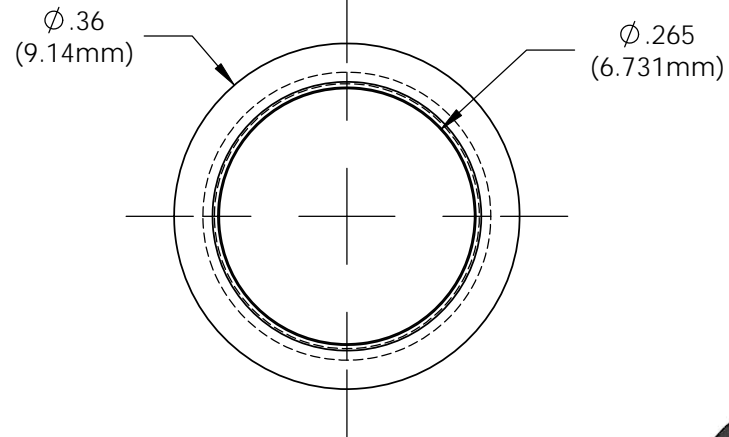
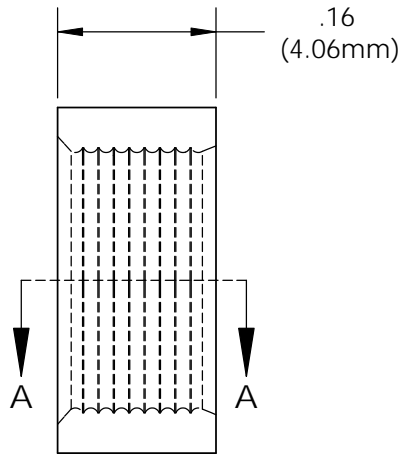


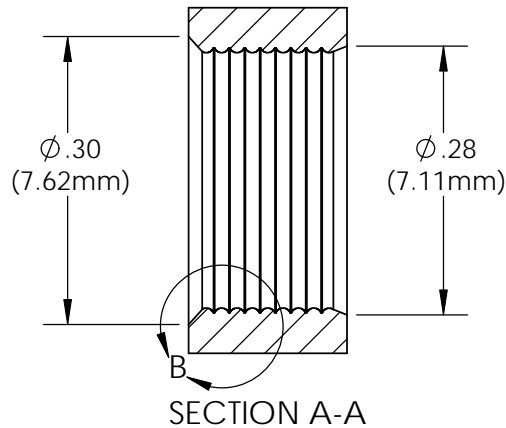
**NOTES:**

1. U.S. & Foreign Pat. Issued & Pend.

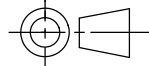
REVISIONS				
ECN #	REV	DESCRIPTION	DATE	INITIALS
	1	VARIOUS	7/94	JS
	2	WAS .275 IS .272	9/26/02	JS
	3	WAS .272 IS .265	10/17/02	JS
	001	REVISED PER ECR111009AZ01	2/11/10	KH
145	002	CHANGE IN MATERIAL	7/12/10	KH



DETAIL B  
SCALE 8 : 1



ISOMETRIC VIEW  
4:1

<small>UNLESS OTHERWISE SPECIFIED DIMENSIONS ARE IN INCHES: ANGLES ± 1°    DECIMALS .X ± .020                   .XX ± .010 FINISH        .XXX ± .005</small> <small>BREAK ALL CORNERS AND SHARP EDGES .050 MAX</small>	<b>MATERIAL</b> POLYPROPYLENE, BLACK		<b>VISUAL COMMUNICATIONS COMPANY</b> 190 Bosstick Boulevard, Suite 101 San Marcos, CA 92069 USA Phone (760) 560-1300 Fax (760) 560-1301 email vccsales@vcclite.com	
	<b>FINISH</b> SEE NOTES		<b>TITLE:</b> CLIPMOUNT RING RNG 268	
<small>THIRD ANGLE PROJECTION</small> 	<b>APPROVALS</b>	<b>DATE</b>	<b>SIZE</b> A	<b>DWG. NO.</b> RNG 268
	DRAWN K.Howard	2/11/10	CHECKED DPZ	2/22/10
DO NOT SCALE DRAWING			SCALE: 5:1	
			SHEET 1 OF 1	