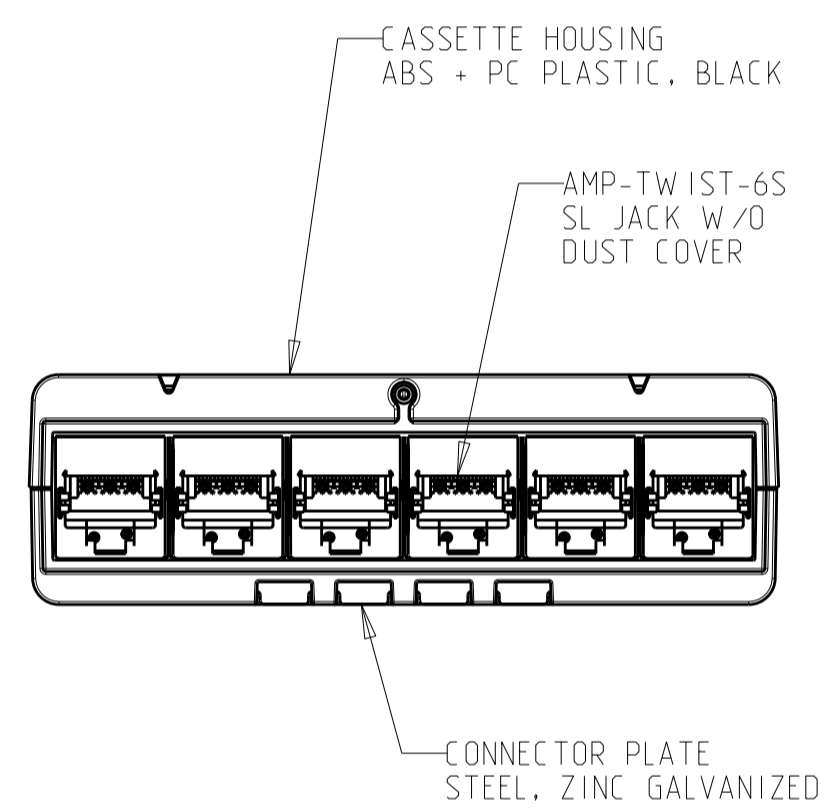
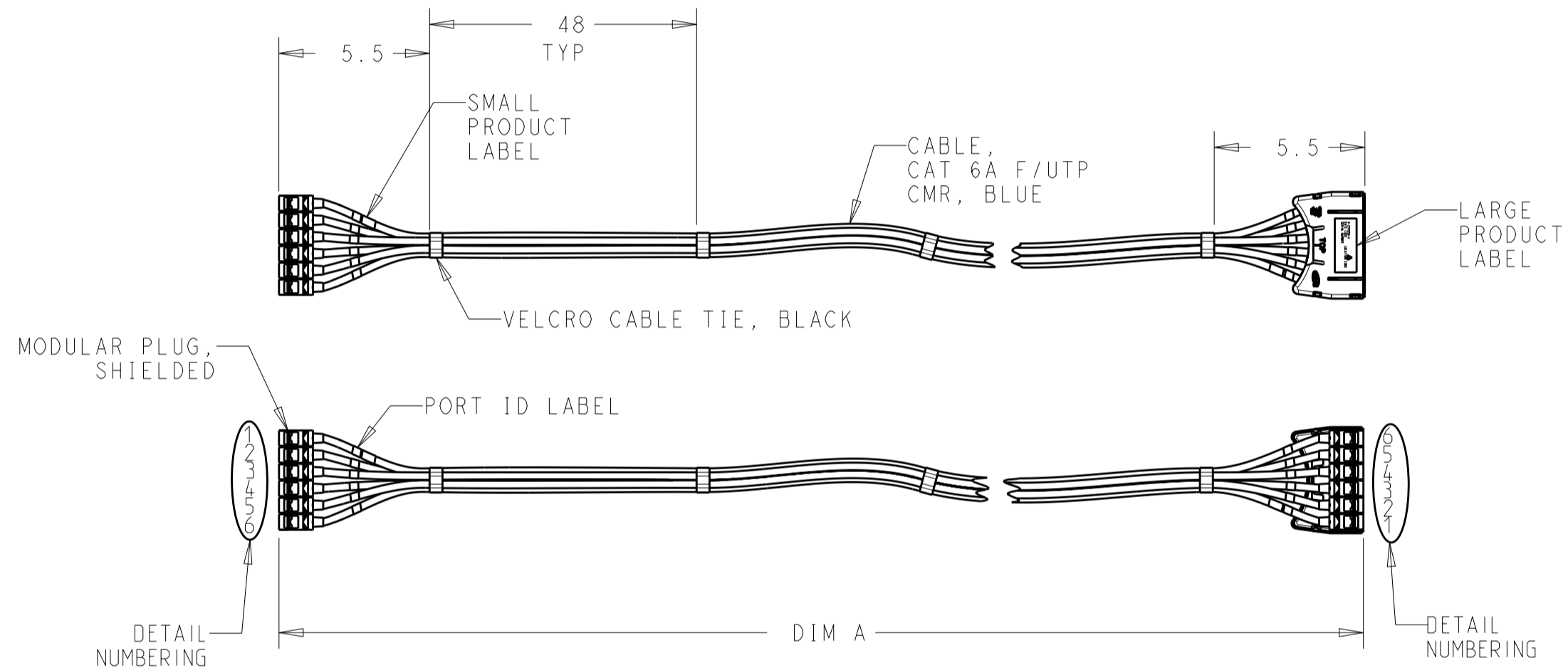


THIS DRAWING IS UNPUBLISHED. RELEASED FOR PUBLICATION 20
 © COPYRIGHT 20 BY TYCO ELECTRONICS CORPORATION. ALL INTERNATIONAL RIGHTS RESERVED.

LOC	DIST	REVISIONS			
P	LTR	DESCRIPTION	DATE	DWN	APVD
	A	RELEASE ECO-10-012390	21JUN2010	LH	DC

295	3540.00-3547.00	9-2111272-5
285	3420.00-3427.00	8-2111272-5
275	3300.00-3307.00	7-2111272-5
265	3180.00-3187.00	6-2111272-5
255	3060.00-3067.00	5-2111272-5
245	2940.00-2947.00	4-2111272-5
235	2820.00-2827.00	3-2111272-5
225	2700.00-2707.00	2-2111272-5
215	2580.00-2587.00	1-2111272-5
205	2460.00-2467.00	2111272-5
195	2340.00-2346.00	9-2111271-5
185	2220.00-2226.00	8-2111271-5
175	2100.00-2106.00	7-2111271-5
165	1980.00-1986.00	6-2111271-5
155	1860.00-1866.00	5-2111271-5
145	1740.00-1746.00	4-2111271-5
135	1620.00-1626.00	3-2111271-5
125	1500.00-1506.00	2-2111271-5
115	1380.00-1386.00	1-2111271-5
105	1260.00-1266.00	2111271-5
95	1140.00-1146.00	9-2111270-5
85	1020.00-1026.00	8-2111270-5
75	900.00-906.00	7-2111270-5
64	768.00-774.00	6-2111270-4
62	744.00-750.00	6-2111270-2
60	720.00-726.00	6-2111270-0
58	696.00-702.00	5-2111270-8
56	672.00-678.00	5-2111270-6
54	648.00-654.00	5-2111270-4
52	624.00-630.00	5-2111270-2
50	600.00-605.00	5-2111270-0
48	576.00-581.00	4-2111270-8
46	552.00-557.00	4-2111270-6
44	528.00-532.00	4-2111270-4
42	504.00-509.00	4-2111270-2
40	480.00-485.00	4-2111270-0
38	456.00-461.00	3-2111270-8
36	432.00-437.00	3-2111270-6
34	408.00-413.00	3-2111270-4
32	384.00-389.00	3-2111270-2
30	360.00-365.00	3-2111270-0
28	336.00-340.00	2-2111270-8
26	312.00-316.00	2-2111270-6
25	300.00-304.00	2-2111270-5
24	288.00-292.00	2-2111270-4
23	276.00-280.00	2-2111270-3
22	264.00-268.00	2-2111270-2
21	252.00-256.00	2-2111270-1
20	240.00-244.00	2-2111270-0
19	228.00-232.00	1-2111270-9
18	216.00-220.00	1-2111270-8
17	204.00-208.00	1-2111270-7
16	192.00-196.00	1-2111270-6
15	180.00-184.00	1-2111270-5
14	168.00-172.00	1-2111270-4
13	156.00-160.00	1-2111270-3
12	144.00-148.00	1-2111270-2
11	132.00-136.00	1-2111270-1
10	120.00-124.00	1-2111270-0
9	108.00-111.00	2111270-9
8	96.00-99.00	2111270-8
7	84.00-87.00	2111270-7
FEET, REF	DIM A	PART NO.

- 100% TESTING FOR EACH SINGLE ELEMENT IN ACCORDANCE WITH TIA 568C.2 CAT.6A CHANNEL.
- WIRING PATTERN IN ACCORDANCE WITH T568B.



THIS DRAWING IS A CONTROLLED DOCUMENT FOR TYCO ELECTRONICS CORPORATION. IT IS SUBJECT TO CHANGE AND THE CONTROLLING ENGINEERING ORGANIZATION SHOULD BE CONTACTED FOR THE LATEST REVISION.		DWN L. HALL 21JUN2010	Tyco Electronics Corporation Harrisburg, PA 17105-3608	
DIMENSIONS: INCHES		CHK D. CRAIG 21JUN2010	NAME BUNDLED CABLE ASSEMBLY CASSETTE TO MODULAR PLUG CAT 6A, F/UTP, CMR, BLUE	
TOLERANCES UNLESS OTHERWISE SPECIFIED: 0 PLC ±.75 1 PLC ±.50 2 PLC ±. 3 PLC ±. 4 PLC ±. ANGLES ±. FINISH		APVD D. CRAIG 21JUN2010	RESTRICTED TO	
MATERIAL		PRODUCT SPEC	SIZE A200779	CAGE CODE C-2111270
		APPLICATION SPEC	DRAWING NO	
		WEIGHT	SCALE NTS	
		CUSTOMER DRAWING	SHEET 1 OF 1 REV A	