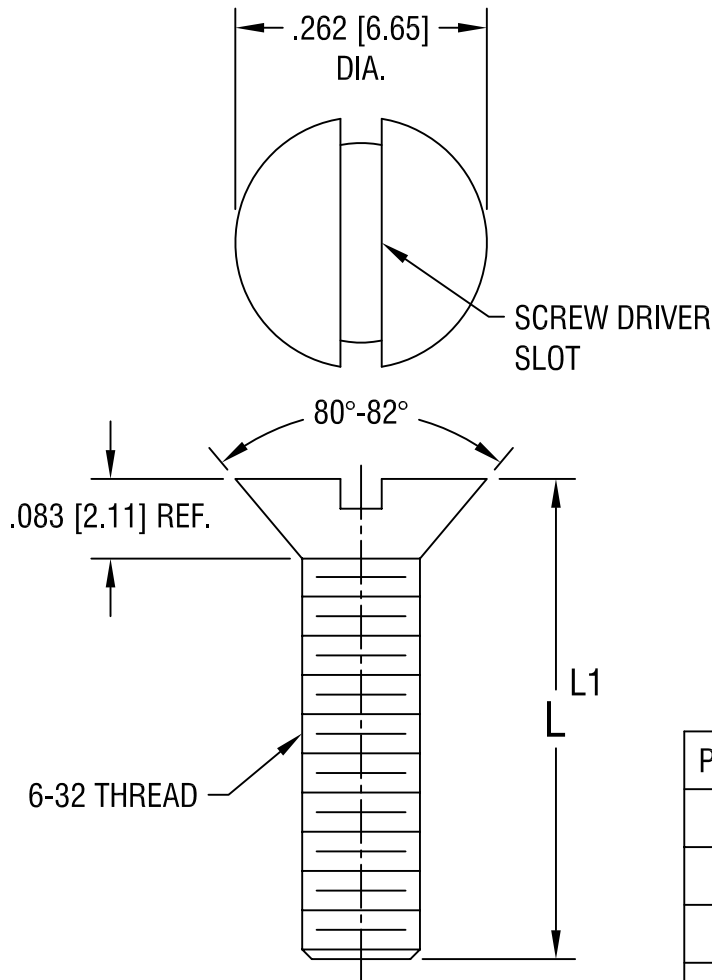


THIS DOCUMENT IS THE PROPERTY OF
KEYSTONE ELECTRONICS CORP. AND
SHALL NOT BE REPRODUCED, DISTRIBUTED
OR USED AS A BASIS FOR MANUFACTURE
WITHOUT PRIOR WRITTEN PERMISSION
FROM KEYSTONE ELECTRONICS CORP.



PART NO.	'L' DIM.	'L1' TOL. +0.0
9533	.187 [4.75]	-.020 [-0.50]
9534	.250 [6.25]	
9535	.375 [9.53]	
9536	.500 [12.70]	-.030 [-0.76]
9537	.625 [15.88]	
9538	.750 [19.05]	
9539	1.000 [25.40]	-.060 [-1.52]
9540	1.250 [31.75]	
9541	2.000 [50.80]	

KEYSTONE ELECTRONICS CORP.

ASTORIA, N.Y. 11105-2017

PART NAME

6-32 FLAT HEAD SCREW

MATERIAL

NYLON 6/6

FINISH

-

DRN BY

BOONE

DATE

3.1.04

APPD

LN

SCALE

5X

TOLERANCES

INCH [MM]

DECIMAL $\pm .017$ [± 0.43]

ANGULAR $\pm 1^\circ$

UNLESS OTHERWISE SPECIFIED

CODE

C/M

DWG NO.

9533-9541

DATE

DESCRIPTION

REV.