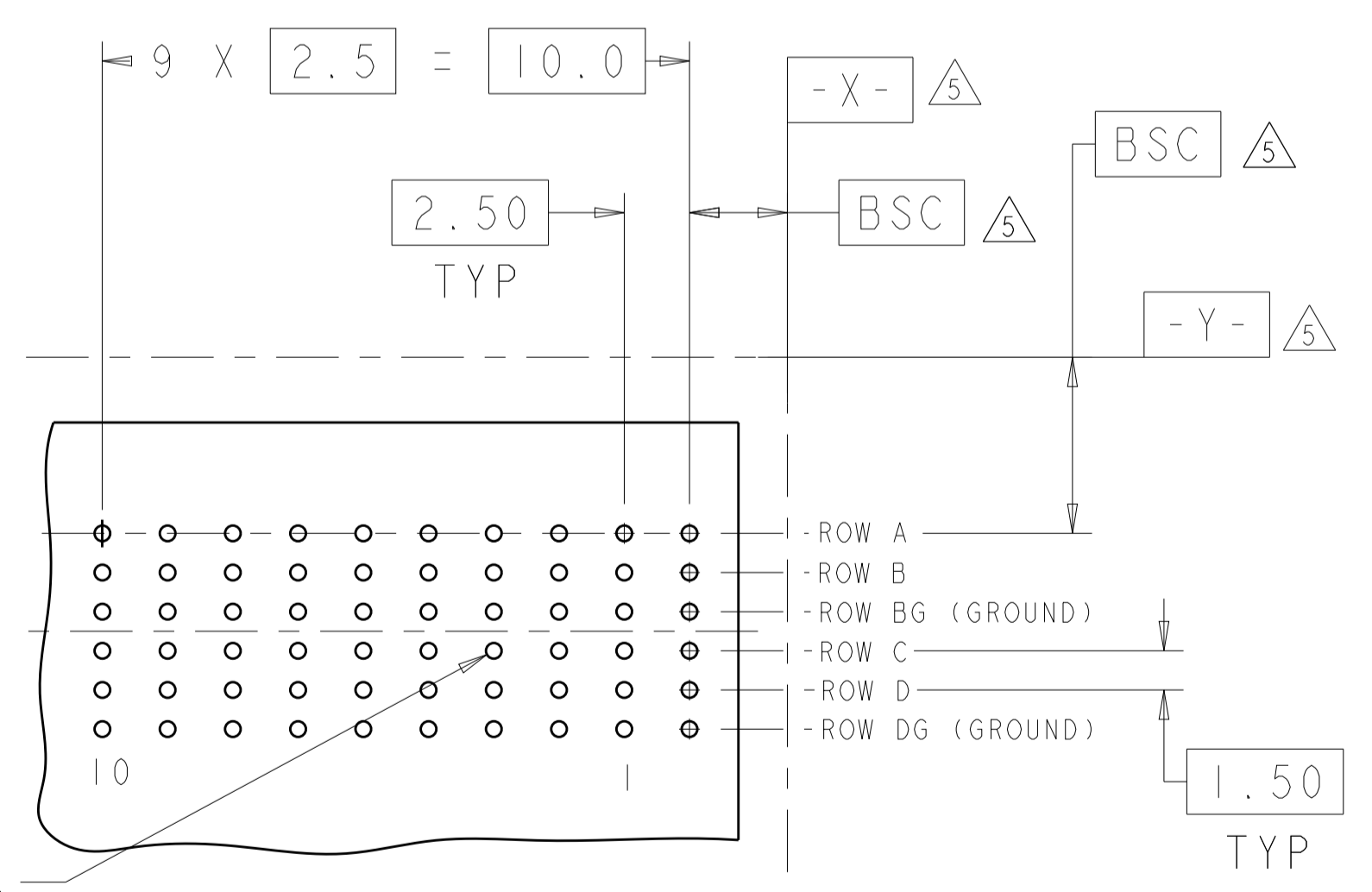
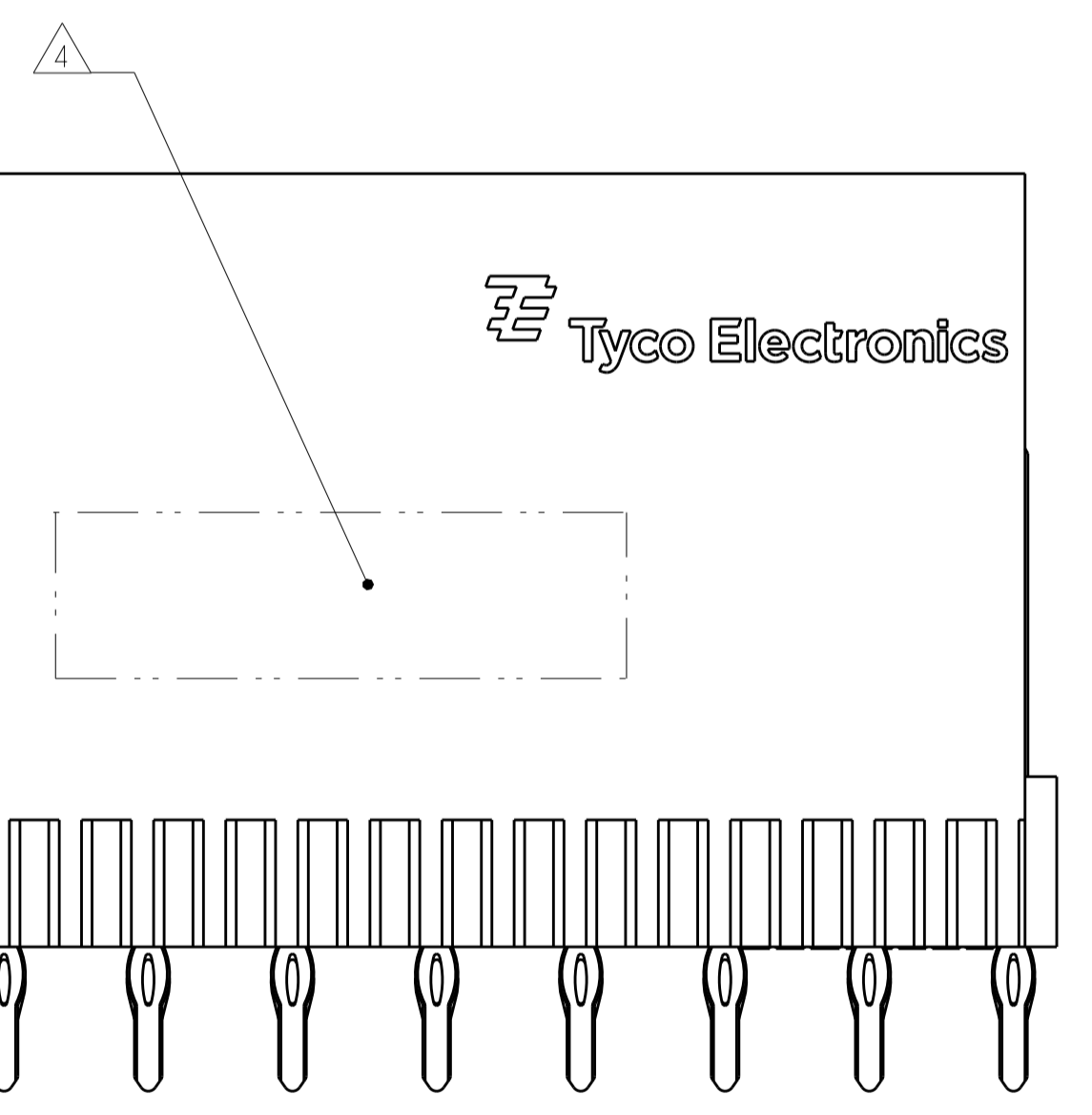
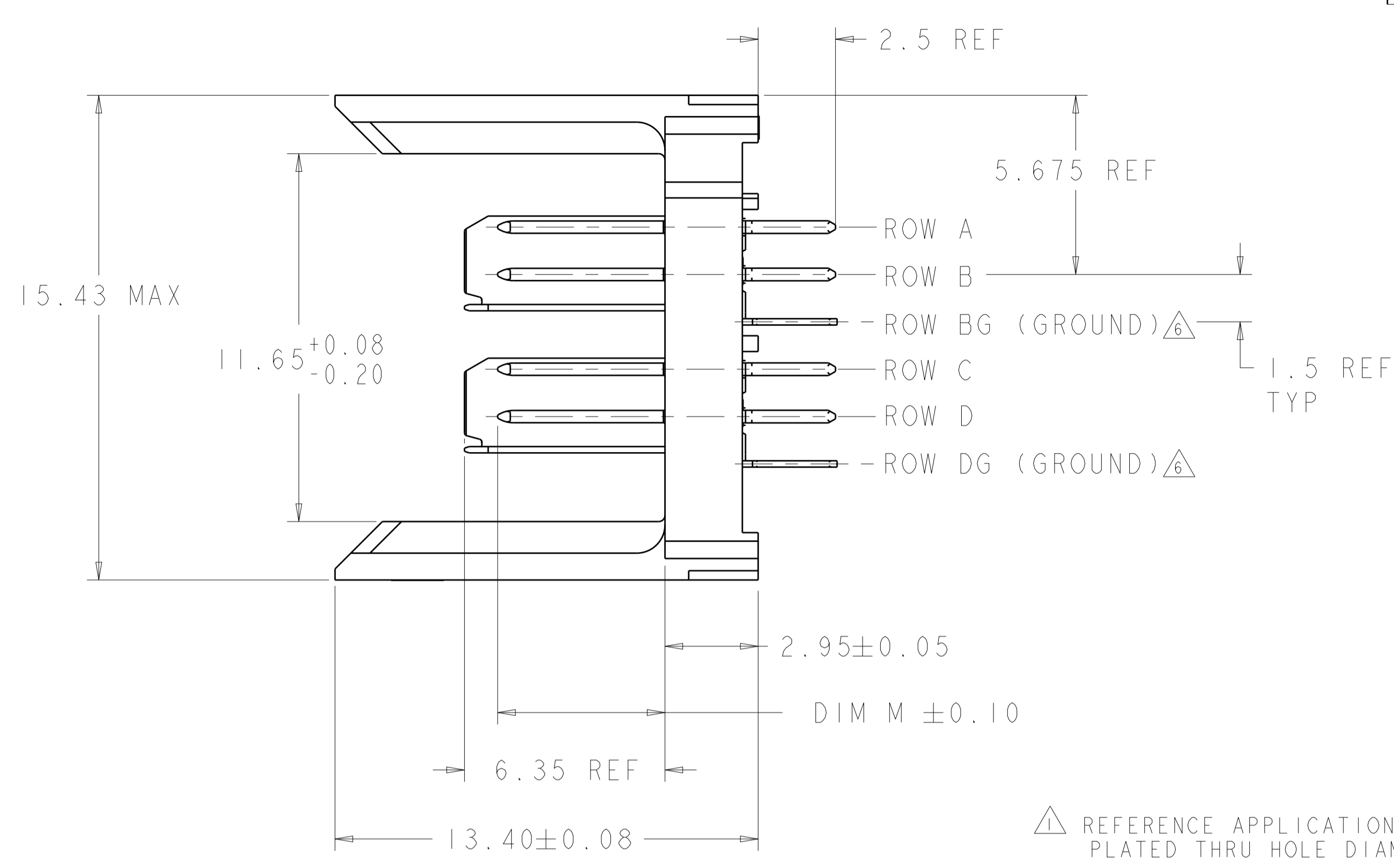
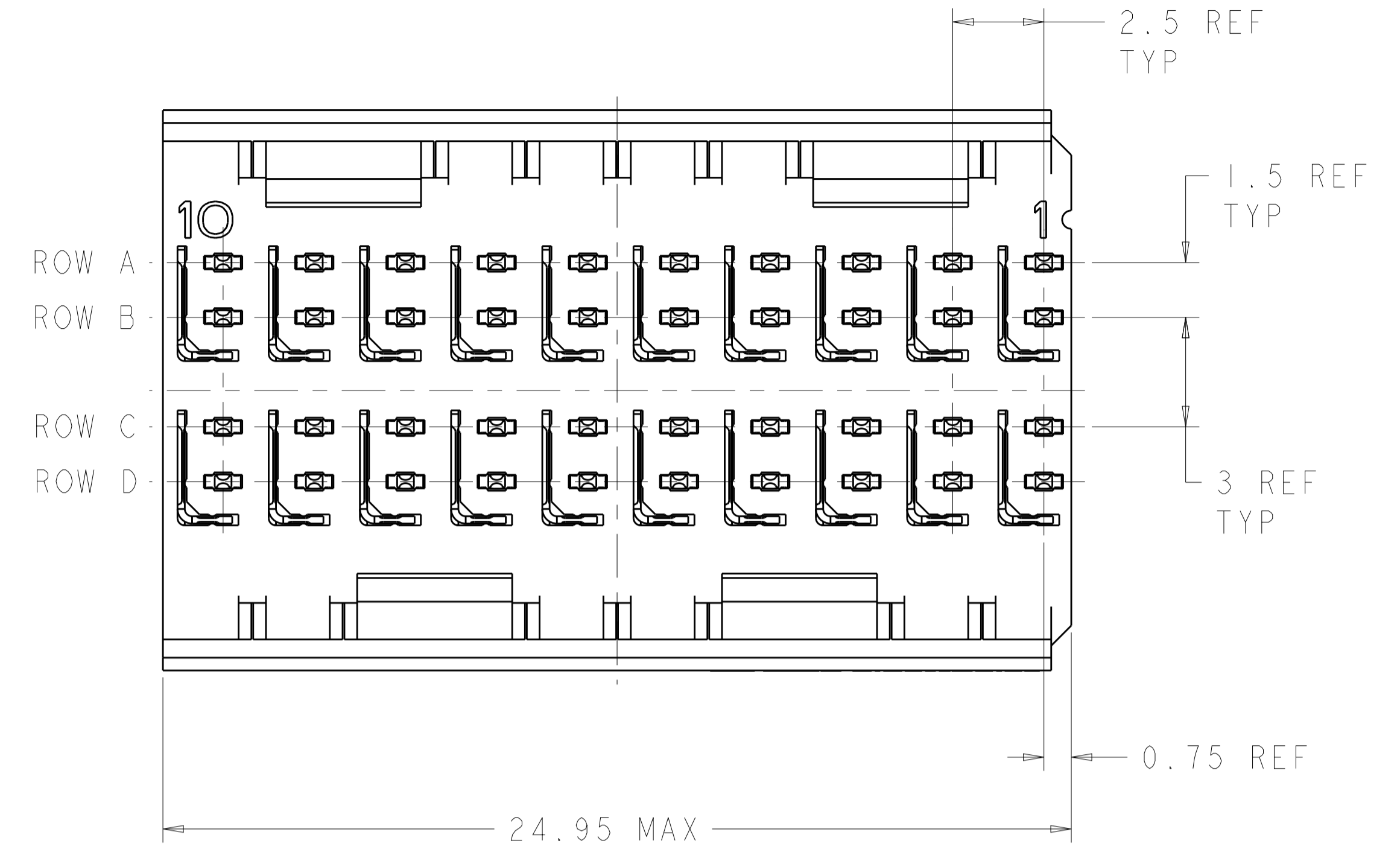


LOC		DIST		REVISIONS			
AD	00	REV	LYN	DESCRIPTION	DATE	DWN	APVD
		E1		REVISED PER ECO-13-003342	04MAR2013	KH	MH



$\oplus \text{ } \phi 0.05 \text{ } \textcircled{S} \text{ } X \text{ } Y$
 ALL PLATED THRU HOLES
 RECOMMENDED PC BOARD LAYOUT, BACKPLANE, COMPONENT SIDE SHOWN
 SCALE 4:1

- Δ REFERENCE APPLICATION SPEC 114-13059 FOR RECOMMENDED PLATED THRU HOLE DIAMETER AND PLATING THICKNESSES.
 - Δ MATERIAL:
 CONTACT AND SHIELD - PHOSPHOR BRONZE
 HOUSING - GLASS FILLED POLYESTER. UL 94V-0.
 - Δ FINISH: SIGNAL AND GROUND CONTACTS:
 MATING AREA: MEETS THE PERFORMANCE REQUIREMENTS OF PRODUCT SPECIFICATION 108-2055; BASED ON TELCORDIA GR-1217-CORE, APPLICATIONS IN UNCONTROLLED ENVIRONMENTS
 COMPLIANT PIN AREA: 0.5 μ m MIN BRIGHT TIN-LEAD OVER BASE PLATING
 - Δ CONNECTOR MARKED WITH PART NUMBER AND DATE CODE.
 - Δ DATUMS AND BASIC DIMENSIONS ESTABLISHED BY CUSTOMER.
 - Δ THE TWO GROUNDS IN EACH COLUMN ARE COMMONED.
7. CONTACT AREA LUBRICATED WITH BELLCORE APPROVED LUBRICANT. TECHNICAL REFERENCE: GR-1217-CORE, ISSUE 1, NOVEMBER 1995.

SUPERSEDED BY 6469025-2	3.80	1469025-2
	5.30	1469025-1
	DIM M	PART NUMBER

THIS DRAWING IS A CONTROLLED DOCUMENT.		DWN R.S.KLINE 11OCT2000	TE Connectivity
DIMENSIONS: mm		CHK R.PATTERSON 16AUG2007	
TOLERANCES UNLESS OTHERWISE SPECIFIED:		APVD N.SCHROLL 13SEP01	NAME
0 PLC	±	PRODUCT SPEC	HEADER ASSEMBLY, 2 PAIR, 2.5mm TAIL, 25mm, HMZd
1 PLC	±	APPLICATION SPEC	
2 PLC	±	WEIGHT	
3 PLC	±	Customer Drawing	
4 PLC	±	SCALE 8:1	SHEET 1 OF 1
ANGLES	±		REV E1
MATERIAL			
FINISH			