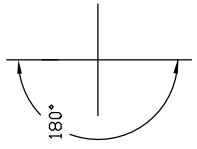
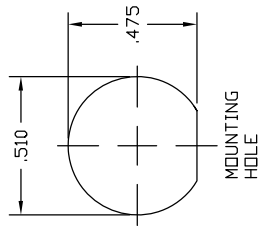
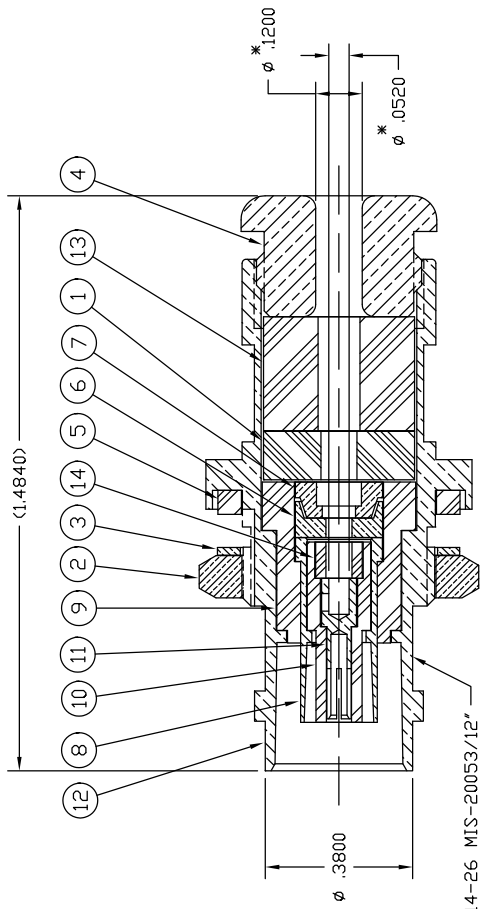


31-33114-26

DRAWING NO. THIRD ANGLE PROJ.

REV	DESCRIPTION	DATE	ECO	APPR
S	REDRAWN TO AUTOCAD WAS 12 "A" SIZE; ADD NOTES 3 THRU 6; ADD PLATE CODES AND CABLE ENTRY DIM'S; DEL DASH -3, -11, -12, -14, -15, -18, -19, -21, -22, -23, -24, -25, -27; ADD DIAL. (REF).	2/18/98	42364	CPM/
T	ADD ITAR AND ITARM TO DWG	3/13/12	48931	CPM/

- REVISIONS
- ITEMS 1, 2, 3, 4, 5, 6, 7, 11, 13, 14 ARE PACKAGED LOOSE. PACKAGE CONNECTOR IN BAG 999-226.
 - FOR CABLE ASSY INSTRUCTIONS SEE 9-9950-177.
 - PLATING MUST CONFORM TO AMPHENOL SPEC 349-50560. CONTACTS ARE GOLD PLATED, CLAMP NUTS (ITEMS 6 & 7) ARE SILVER PLATED, ALL OTHER METAL PARTS ARE NICKEL PLATED (REF).
 - DO NOT SCALE THIS DRAWING.
 - UNLESS OTHERWISE SPECIFIED, ALL DIMENSIONS ARE AFTER PLATING.
 - ASTERISK (*) INDICATES CABLE ENTRY DIMENSIONS.



POLARITY

MOUNTING HOLE

ITAR CONTROLLED

TECHNICAL DATA/INFORMATION RESTRICTED FOR USE UNDER THE RIGHTS/REQUIREMENTS OF U.S. STATE DEPARTMENT MANUFACTURING LICENSE AGREEMENT-MA 7516-10 U.S. EXPORT PERMITTED UNDER 22CFR125.46(x)(2)

ITAR CONTROLLED

THIS DOCUMENT CONTAINS TECHNICAL DATA AS DEFINED IN THE U.S. INTERNATIONAL TRAFFIC IN ARMS REGULATIONS (ITAR) SECTION 22 C.F.R. 120.10. THE TECHNICAL DATA MAY NOT BE EXPORTED, DISCLOSED, OR TRANSFERRED TO ANY FOREIGN PERSON, CORPORATION, ENTITY OR GROUP, AS DEFINED IN THE ITAR SECTION 22 C.F.R. WHETHER IN THE UNITED STATES OR ABROAD, WITHOUT THE PRIOR WRITTEN APPROVAL OF THE U.S. DEPARTMENT OF STATE.

PART NUMBER	QTY	ITEM	DESCRIPTION
3-5098-43	1	14	INSULATOR
3-5098-137	1	13	INSULATOR
3-3108-2NA	1	12	BODY
3-2818-27GA	1	11	CONTACT
3-2813-5	1	10	INSULATOR
3-2812-7	1	9	INSULATOR
3-2811-6GX	1	8	CONTACT
3-2808-31SA	1	7	CLAMP
3-2807-15SA	1	6	CLAMP
82-1535-4	1	5	GASKET
3-834-59NA	1	4	NUT
31-1677-NA	1	3	LOCKWASHER
31-10494-NA	1	2	HEX NUT
3-3521-227	1	1	GASKET
			FINISH

UNLESS OTHERWISE SPECIFIED, DIMENSIONS ARE IN INCHES AND TOLERANCES ARE:

2 PLACE DECIMAL ±.005 (0.127 mm)
 3 PLACE DECIMAL ±.001 (0.025 mm)
 ANGLES ± 1°

NOTICE - These drawings, specifications, or other data (1) are, and remain the property of Amphenol Corp. (2) must be returned upon request; and (3) are confidential and not to be disclosed to any person other than those to whom they are specifically directed. Amphenol Corp. reserves the right to change any other data by Amphenol Corp. or to any other person to anyone for any purpose is not to be regarded by implication or otherwise in any manner licensing, granting rights or permitting such holder or any other person to manufacture, use or sell any product or process in any way that may be related to or disclosed by said drawings, specifications, or other data.

DRAWN	POULIN	DATE	10/30/85
ENGINEER	D. ROYCE	DATE	2/17/98
APPROVED	D. ROYCE	DATE	2/17/98
CAD FILE	H:\DEPT611\TNC\031\ASSY\33114-26		

MATERIAL

REFERENCE

TITLE

TNC TYPE

S.H. MT

TRIAX CRIMP ON JACK

RG-188, 316 CABLES

Amphenol
 Amphenol Corporation
 RF/Microwave Operations
 Danbury, Conn. U.S.A. 06810

SCALE: 3:1

SHEET 1 OF 1

REV T