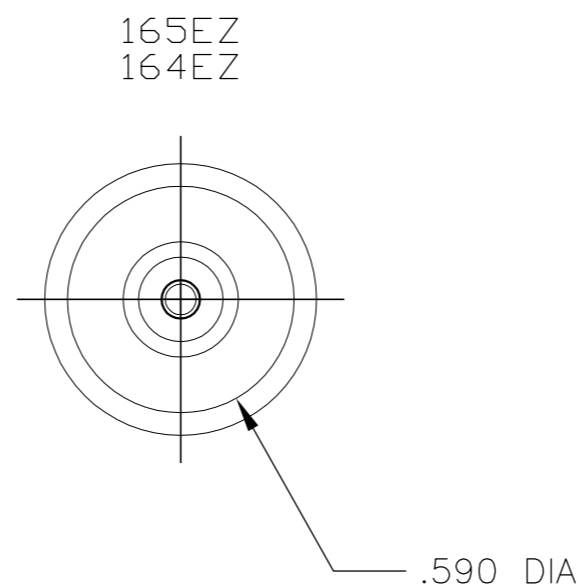
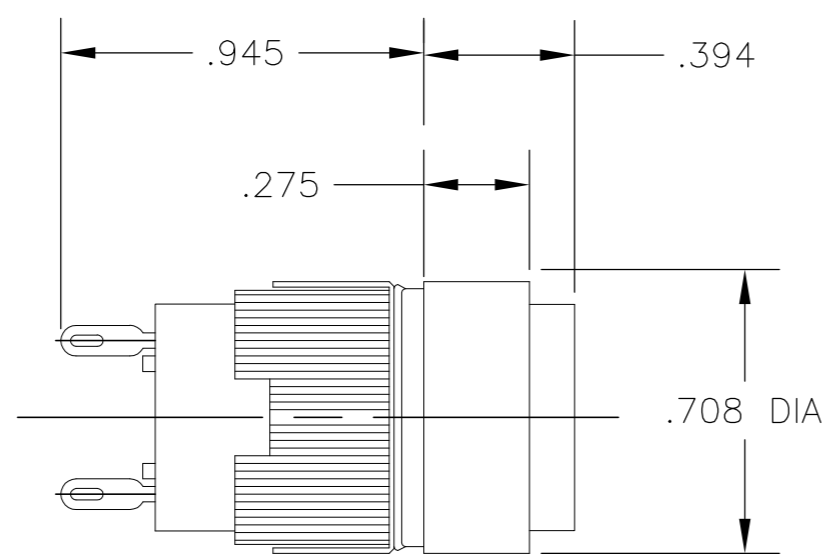
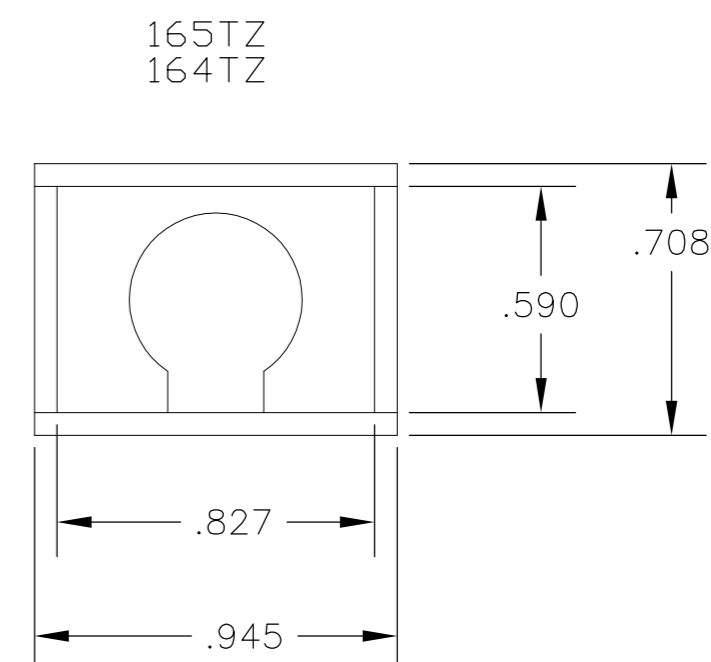
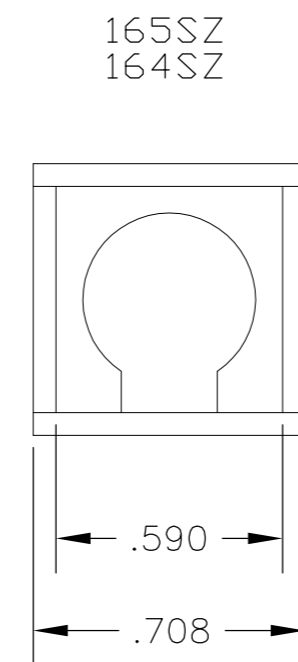


THIS DRAWING IS UNPUBLISHED. RELEASED FOR PUBLICATION
 © COPYRIGHT - By - ALL RIGHTS RESERVED.

| LOC | DIST | REVISIONS | | | |
|-----|------|-------------|---------------------------|---------|--------|
| P | LTR | DESCRIPTION | DATE | DWN | APVD |
| AD | 00 | B1 | REVISED PER ECO-11-005027 | 11MAR11 | RK HMR |



SIDE VIEW
(SEE NOTE 3)



SPECIFICATIONS:

- LAMP DISSIPATION: 1.2W MAX.
- INSULATION RESISTANCE: 100 MEGOHMS MIN.
- DIELECTRIC STRENGTH: 2000 VAC.
- OPERATING TEMPERATURE: -20°C TO +50°C
(-4°F TO +122°F).

NOTES:

- LAMP IS T 3/4 MIDGET FLANGE BASE TYPE (LAMP NOT SUPPLIED).
- 164 IS NON-DILTIGHT SERIES, 165 IS DILTIGHT SERIES.
- VIEWS INCLUDE PLASTIC SHROUDS FOR AVAILABLE LENS SETS, (NOT SUPPLIED).

- 4 THE PLATINGS CONTAINED IN THIS PART SHALL CONTAIN NO LEAD.
- 5 PRELIMINARY PART, NOT RELEASED FOR PRODUCTION.

| | | |
|-------------|--------------|----------|
| 1571542-4 | 165TZ | 4 5 |
| 1571542-3 | 164TZ | |
| 1571542-2 | 164SZ | |
| 1571542-1 | 164EZ | |
| 5-1437569-9 | 165TZ | |
| 5-1437569-3 | 165SZ | |
| 4-1437569-6 | 165EZ | |
| 4-1437569-1 | 164TZ | |
| 3-1437569-2 | 164SZ | |
| 1437569-8 | 164EZ | |
| PART No. | MODEL NUMBER | COMMENTS |

REF AUGAT 81091

| DIMENSIONS: | | TOLERANCES UNLESS OTHERWISE SPECIFIED: | | DWN | | S KIRCORIAN | | 5-18-94 | | TE Connectivity | |
|-------------|--|--|--|------------------|--|------------------|--|-----------|--|-----------------|--|
| INCHES | | | | CHK | | W THIA | | 5-19-94 | | NAME | |
| 0 PLC ± - | | 1 PLC ± - | | APVD | | W THIA | | 5-19-94 | | PILOT LIGHT | |
| 2 PLC ± - | | 3 PLC ± .010 | | PRODUCT SPEC | | APPLICATION SPEC | | | | 164/165 Z | |
| 4 PLC ± - | | ANGLES ± - | | WEIGHT | | SIZE | | CAGE CODE | | DRAWING NO | |
| FINISH | | | | - | | A2 | | 00779 | | 2-1437569-4 | |
| MATERIAL | | | | CUSTOMER DRAWING | | SCALE | | SHEET | | RESTRICTED TO | |
| - | | | | - | | NTS | | 1 OF 1 | | REV B1 | |