

6

5

4

3

2

1

E

E

D

D

C

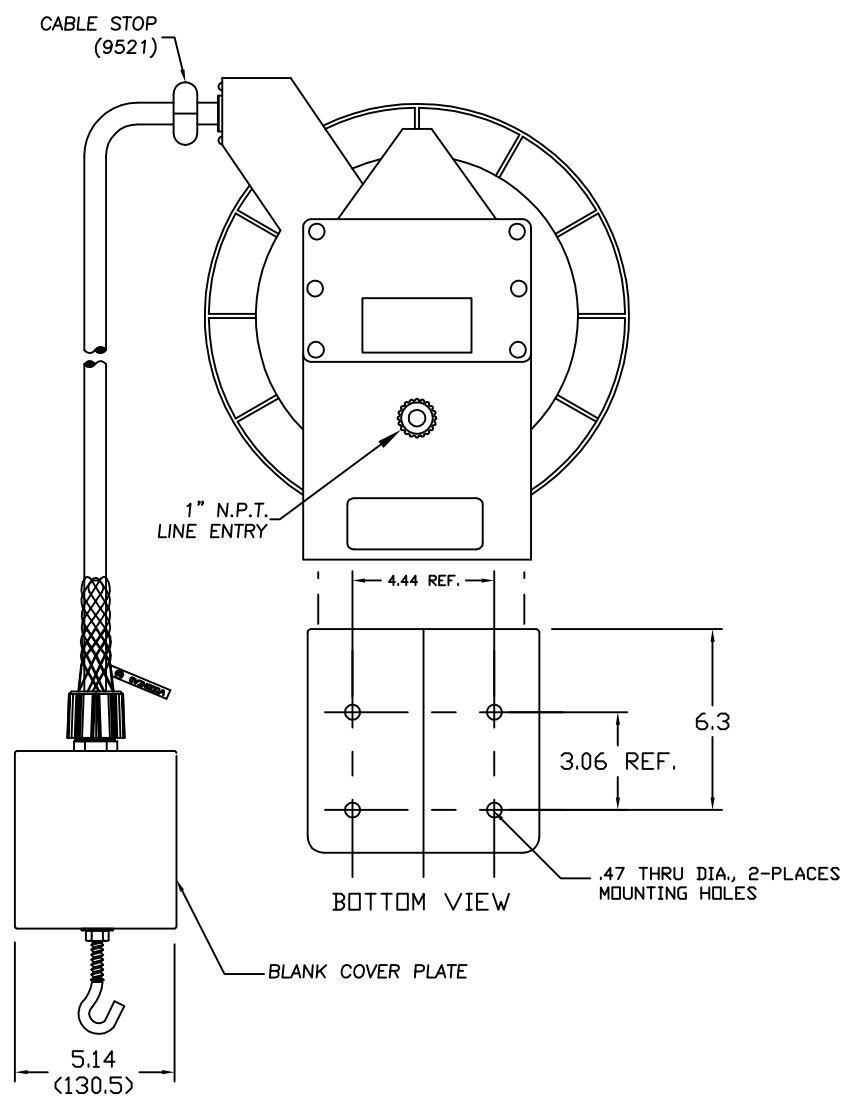
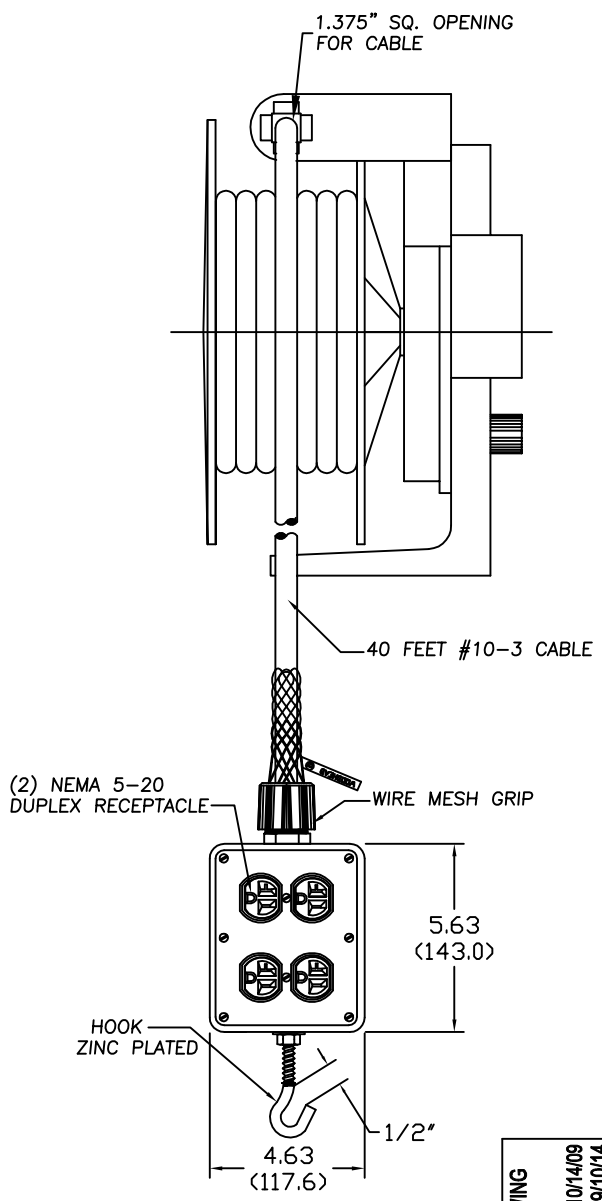
C

B

B

A

A



RELEASE CUST DRAWING
 EC NO: WNA2010-0284
 DRWN: TVICKERS 10/14/09
 CHKD: HK 2009/10/14
 APPR: DTITUS 2009/11/06

QUALITY SYMBOLS
 ▽=0
 ▽C=0

GENERAL TOLERANCES (UNLESS SPECIFIED)		
	mm	INCH
4 PLACES	±---	±---
3 PLACES	±---	±.05
2 PLACES	±---	±.010
1 PLACE	±---	±.020
ANGULAR ±.5°		
DRAFT WHERE APPLICABLE MUST REMAIN WITHIN DIMENSIONS		

DIMENSION STYLE IN/(MM)	
DRAWN BY	DATE
TV	2009/10/14
CHECKED BY	DATE
HK	2009/10/14
APPROVED BY	DATE
DTITUS	2009/11/06
MATERIAL NO.	1300830886
SIZE	A

SCALE NTS	DESIGN UNITS INCH	THIRD ANGLE PROJECTION
TITLE 92434 W/40' #10/3 W/(2) 5-20 DUPLEX RECEPTACLES & MESH		
MOLEX INCORPORATED		
DOCUMENT NO. SD-130083-015	SHEET NO. 1 OF 2	
THIS DRAWING CONTAINS INFORMATION THAT IS PROPRIETARY TO MOLEX INCORPORATED AND SHOULD NOT BE USED WITHOUT WRITTEN PERMISSION		

6

5

4

3

2

1