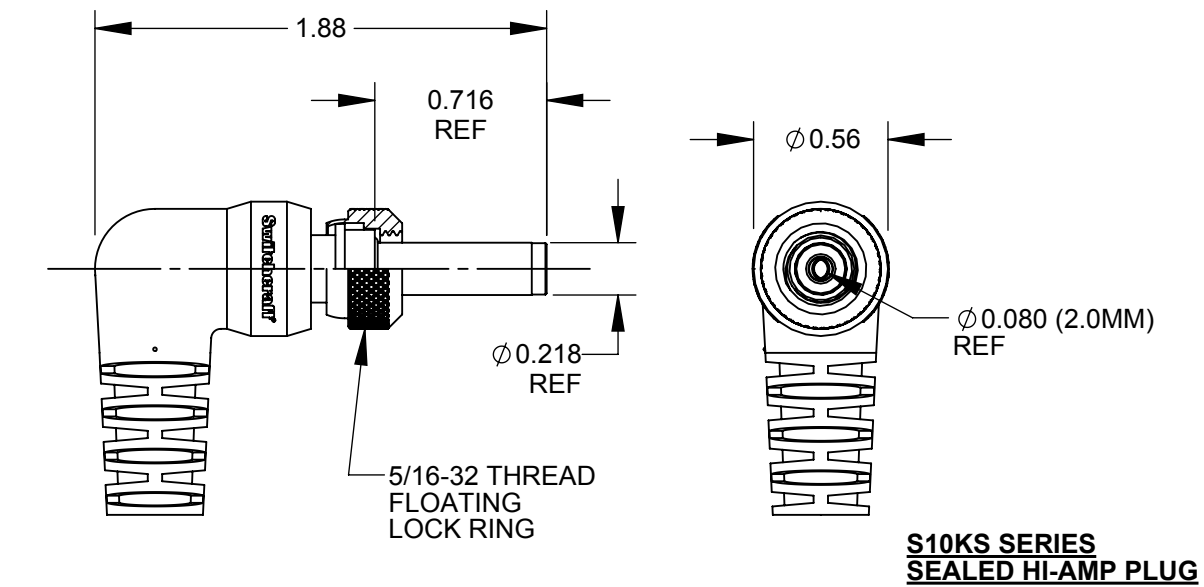


WIRING TABLE	
POWER PLUG	WIRE COLOR
TIP	RED
SLEEVE	BLACK



C A R A 0 7 9 8 4

CABLE ASSEMBLY ———— STRIP AND TIN 1/2 INCH BY 1/4 INCH

RIGHT ANGLE ————

79 INCHES (2 METERS) OF CABLE

761KS - SEALED 0.100 (2.5MM) ϕ ID

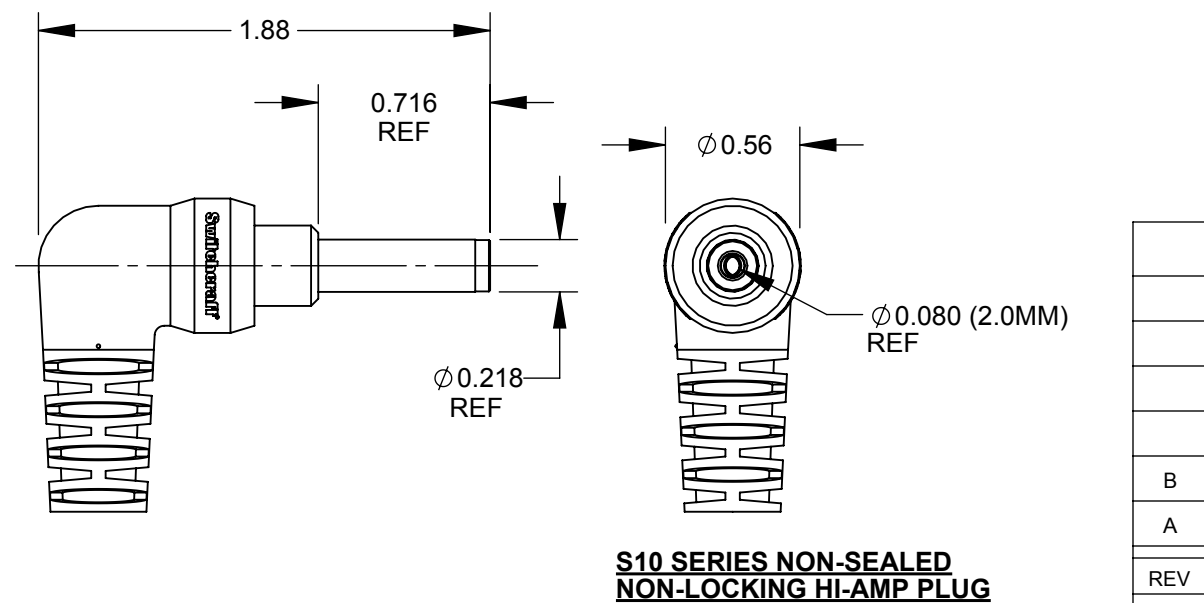
767KS - SEALED 0.084 (2.1MM) ϕ ID

S761KS - SEALED 0.080 (2.0MM) ϕ ID

S10KS- HI AMP - SEALED 0.080(2.0MM) ϕ ID

S10 - HI AMP NON-SEALED - 0.080(2.0MM) ϕ ID NON-LOCKING

CUSTOMER DRAWING



UNLESS OTHERWISE SPECIFIED 1. ALL DIMENSIONS IN INCHES - TWO PLACE DECIMALS ±0.02 - THREE PLACE DECIMALS ±0.005					THIS DRAWING DESCRIBES A DESIGN CONSIDERED PROPRIETARY IN NATURE, DEVELOPED AND MANUFACTURED BY SWITCHCRAFT INC. AND IS RELEASED ON A CONFIDENTIAL BASIS FOR IDENTIFICATION PURPOSES ONLY.							
					SIZE	WIDTH	MULT	LBS/M	TEMPER	FINISH		MATERIAL
DO NOT SCALE DRAWING					FIRST USED ON				SCALE 1.25:1		Switchcraft®	
					DATE DRAWN	BY	CHKD	APVD	SPEC No.			
B	27615	11-30-15	TO	TJK	3/19/15	AB	AB	TJK	SHEET 1 OF 1		PART No. CARA_07984	
A	27477	4/2/15	TJK	TJK	NAME CABLE ASSEMBLY - MOLDED RIGHT ANGLE POWER PLUGS, RoHS		REV B					
REV	ECO NUMBER	DATE	BY	APVD								

Mouser Electronics

Authorized Distributor

Click to View Pricing, Inventory, Delivery & Lifecycle Information:

[Switchcraft:](#)

[CARAS10KS07984](#) [CARAS1007984](#) [CARA761KS07984](#) [CARAS761KS07984](#)