

Temperature Compensated Crystal Oscillators (TCXO, VCTCXO) Surface Mount Type TCXO (LSI Type) KT2520 Series



2.5×2.0mm



RoHS Compliant

Features

- Miniature SMD type (2.5×2.0×0.8mm)
- Freq. temp. characteristics:
: $\pm 2.0 \times 10^{-6}/-30$ to $+85^\circ\text{C}$
: $\pm 0.5 \times 10^{-6}/-30$ to $+85^\circ\text{C}$ (for GPS)
- 1.68 to 3.63V drive available
- Reflow compatible
- Operating Temp. -40 to $+105^\circ\text{C}$ (Option)
- Ultra low supply current 800 μA typ.
Conditions of 26MHz and 1.0Vp-p (Option)
- AEC-Q200 qualified
- AEC-Q100 qualified (Option)

Applications

- Mobile Communications, W-LAN
- Low power radio communications
- GPS Unit

How to Order

KT2520K 26000 A C W 18 T xx
① ② ③ ④ ⑤ ⑥ ⑦ ⑧

① Series

② Output Frequency

③ Freq. Temp. Chrst.

A	$\pm 0.5 \times 10^{-6}$
B	$\pm 1.0 \times 10^{-6}$
C	$\pm 1.5 \times 10^{-6}$
D	$\pm 2.0 \times 10^{-6}$

④ Lower Operating Temp.

C	-30°C
E	-20°C
G	-10°C

⑤ Upper Operating Temp.

W	$+85^\circ\text{C}$
V	$+80^\circ\text{C}$
U	$+75^\circ\text{C}$

⑥ Supply Voltage

18	1.8V	28	2.8V
30	3.0V	33	3.3V

⑦ Voltage Control Function

T	TCXO
Other*	VCTCXO

* Customer Spec.

⑧ Option Code

Packaging (Tape & Reel 12000 pcs./ reel)

Specifications

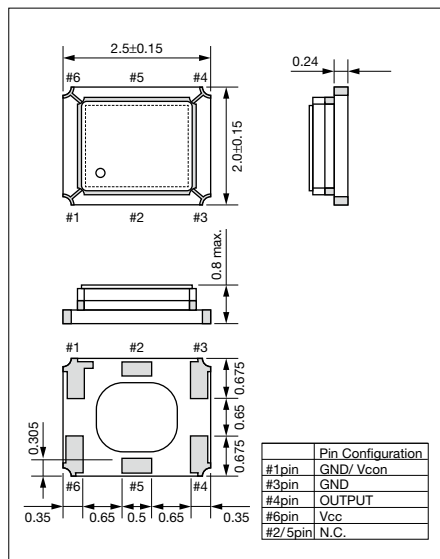
Item	Symbol	Conditions	Min.	Max.	Units
Output Frequency Range	fo		10	52	MHz
Frequency Tolerance	f _{tol}	vs Temperature	-0.5/ -2	+0.5/ +2	$\times 10^{-6}$
		vs Load	-0.2	+0.2	
		vs Voltage	-0.2	+0.2	
Frequency Aging	f _{age}	Per Year	-1	+1	$\times 10^{-6}$
Storage Temperature Range	T _{stg}		-40	+85	$^\circ\text{C}$
Operating Temperature Range	T _{use}		-30	+85	$^\circ\text{C}$
Voltage Control Range	f _{cont}	Positive	± 8	± 15	$\times 10^{-6}$
Supply Voltage	V _{CC}		1.68	3.63	V
Output Level	V _{pp}	Clipped Sine*, Load: 10k ohm // 10pF	0.8	—	Vp-p
Current Consumption	I _{CC}		—	2	mA
Harmonics	—		—	-5	dBc

* : A DC-cut capacitor is not embedded in this crystal oscillator. Connect a DC-cut capacitor ($\geq 1\text{nF}$) to the line-out terminal of the oscillator.

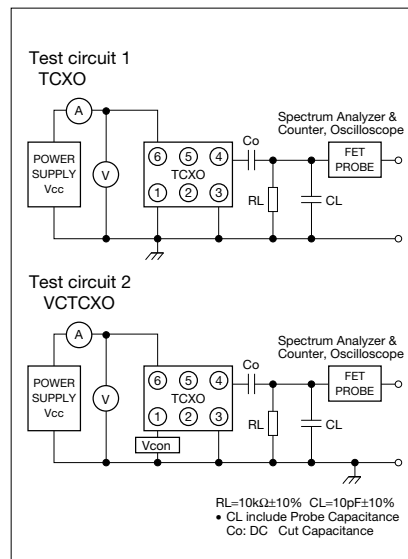
* Please contact us for other specifications.

Dimensions

(Unit: mm)



Test Circuit



Recommended Land Pattern

(Unit: mm)

