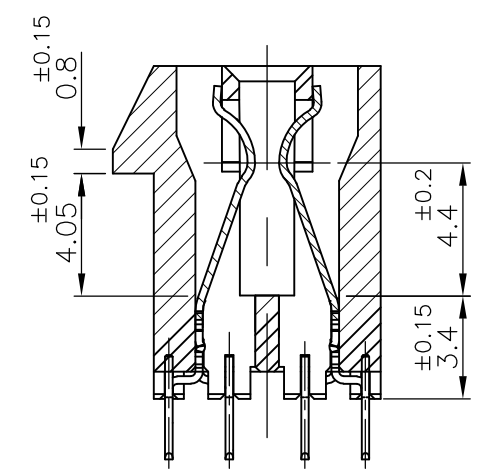
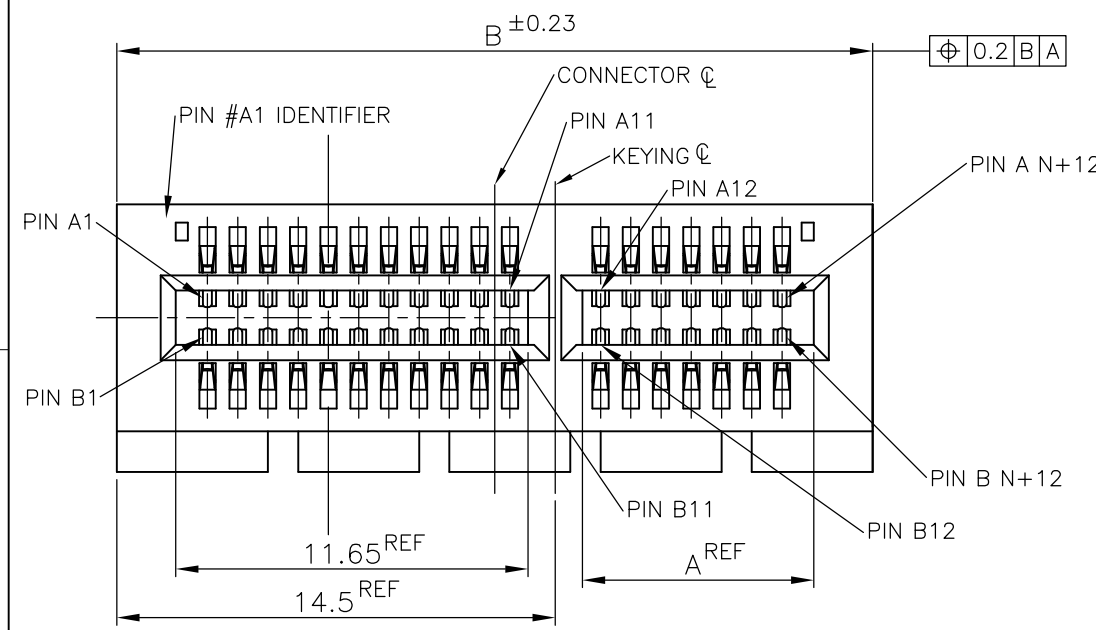
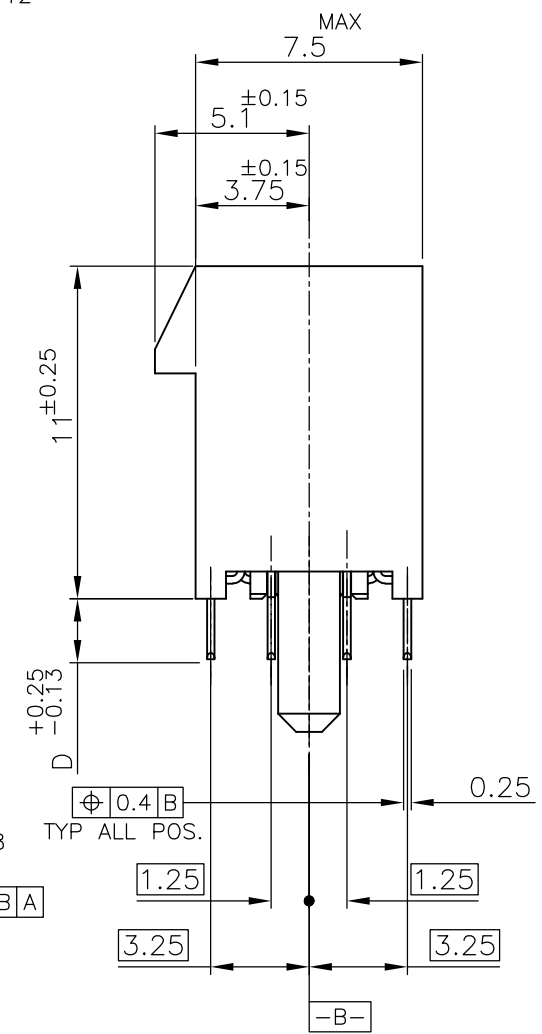
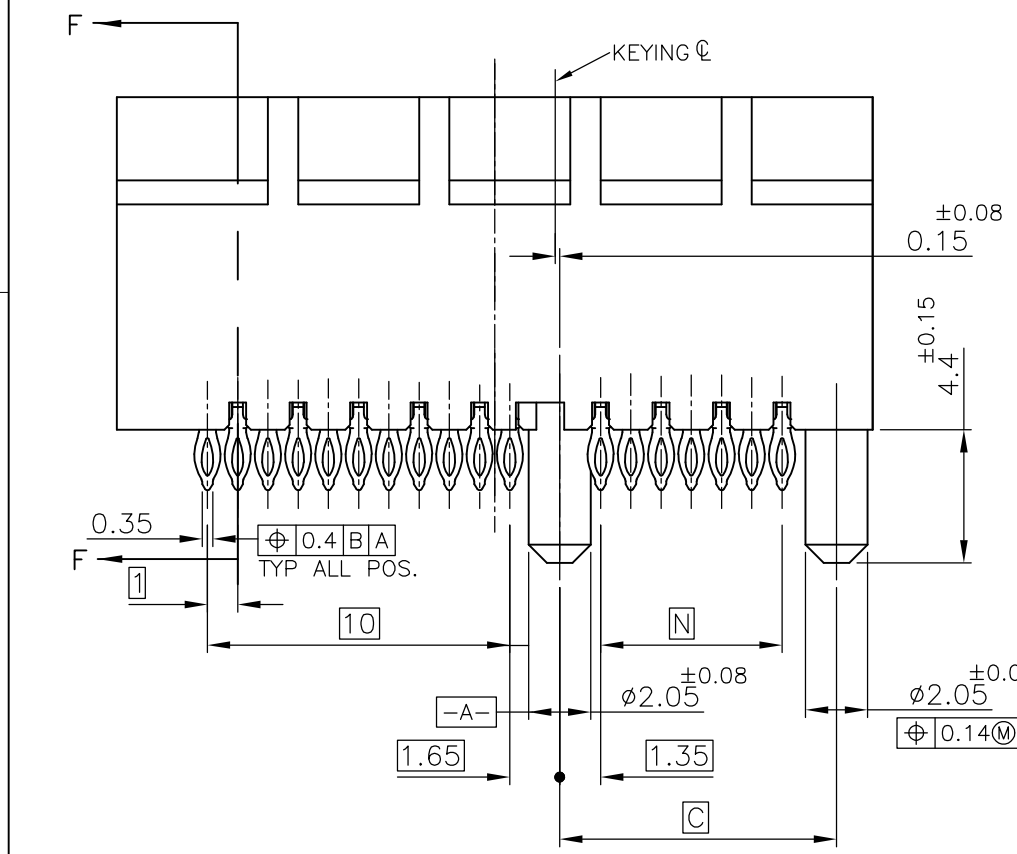


THIS DRAWING IS UNPUBLISHED. RELEASED FOR PUBLICATION JUN , 2005.
 © COPYRIGHT 2005 By - ALL RIGHTS RESERVED.

LOC	DIST	REVISIONS					
J	/	P	LTR	DESCRIPTION	DATE	DWN	APVD
		G		PER ECR-12-013972	31JAN2013	AZ	AC

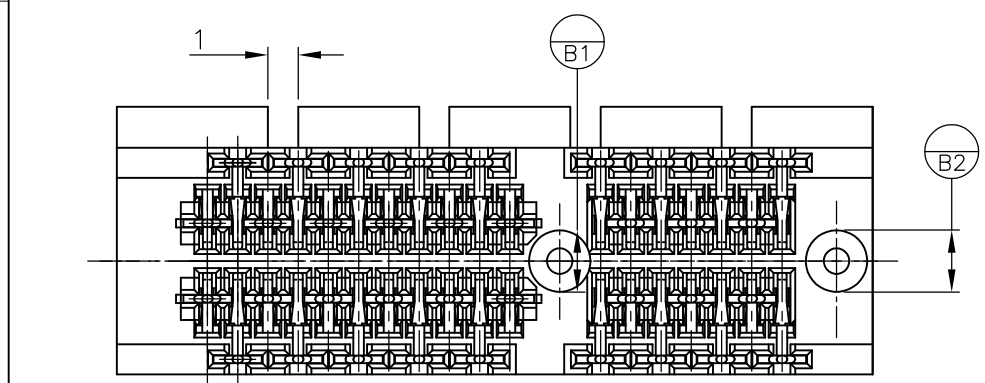


- ① MATERIAL;
HOUSING: HIGH TEMPERATURE THERMO PLASTIC
UL94V-0, COLOR; BLACK
CONTACT: COPPER ALLOY
- ② FINISH;
CONTACT AREA: GOLD PL.0.76μm MIN OVER NICKEL PL.
COMPLIANT PIN ACTION AREA: 0.5μm MIN MATTE TIN OVER NICKEL PL.
- ③ NOT SPECIFY BY PCI EXPRESS STANDARD
- ⑤ FINISH;
CONTACT AREA: GOLD PL.0.76μm MIN OVER NICKEL PL.
COMPLIANT PIN ACTION AREA: 0.5μm MIN BRIGHT TIN-LEAD OVER NICKEL PL.
- ⑫ FINISH;
CONTACT AREA: GOLD PL.0.38μm MIN OVER NICKEL PL.
COMPLIANT PIN ACTION AREA: 0.5μm MIN MATTE TIN OVER NICKEL PL.



13 CONNECTOR HAS MET THE REQUIREMENTS PER PCI EXPRESS GEN 2 TECHNICAL DOCUMENT.
 14 THE 2.0mm PF VERSIONS ARE GEN2 AND GEN3 COMPLIANT.

	⑫	PRODUCING	70	↑	73.15	89	71.65	164	16	5-	↑	-4
OBSOLETE		PRODUCING	70		73.15	89	71.65	164	16	3-		-4
OBSOLETE	⑤	PRODUCING	37		40.15	56	38.65	98	8	3-		-3
	③	PRODUCING	128		131.15	147	129.65	280		1-		-5
		PRODUCING	70		73.15	89	71.65	164	16	1-		-4
		PRODUCING	37	3.25	40.15	56	38.65	98	8	1-1871058	↑	-3
		PRODUCING	20	↑	23.15	39	21.65	64	4	1-	↑	-2
		PRODUCING	6	3.25	9.15	25	7.65	36	1	1-		-1
	③	PRELIMINARY	76	↑	79.15	95	77.65	176	16			-7
		PRODUCING	128		131.15	147	129.65	280				-5
		PRODUCING	70		73.15	89	71.65	164	16			-4
		PRODUCING	37	2.0	40.15	56	38.65	98	8	1871058-3		
		PRODUCING	20	↑	23.15	39	21.65	64	4		↑	-2
	②	PRELIMINARY	6	2.0	9.15	25	7.65	36	1	1871058-1		
FINISH	TOOLING STATUS	N	D	C	B	A	POS.	PORT	P/N			

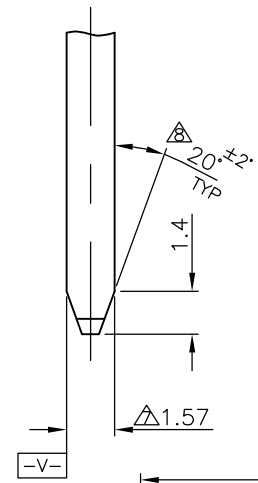
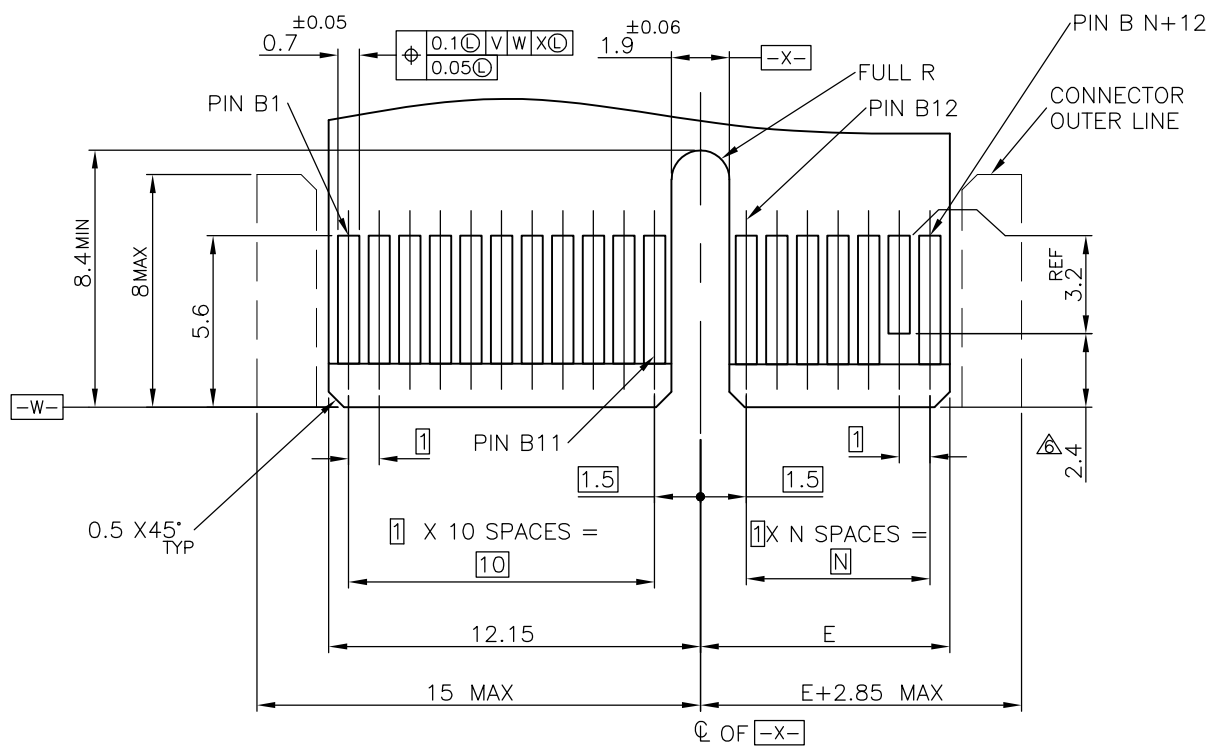


THIS DRAWING IS A CONTROLLED DOCUMENT.

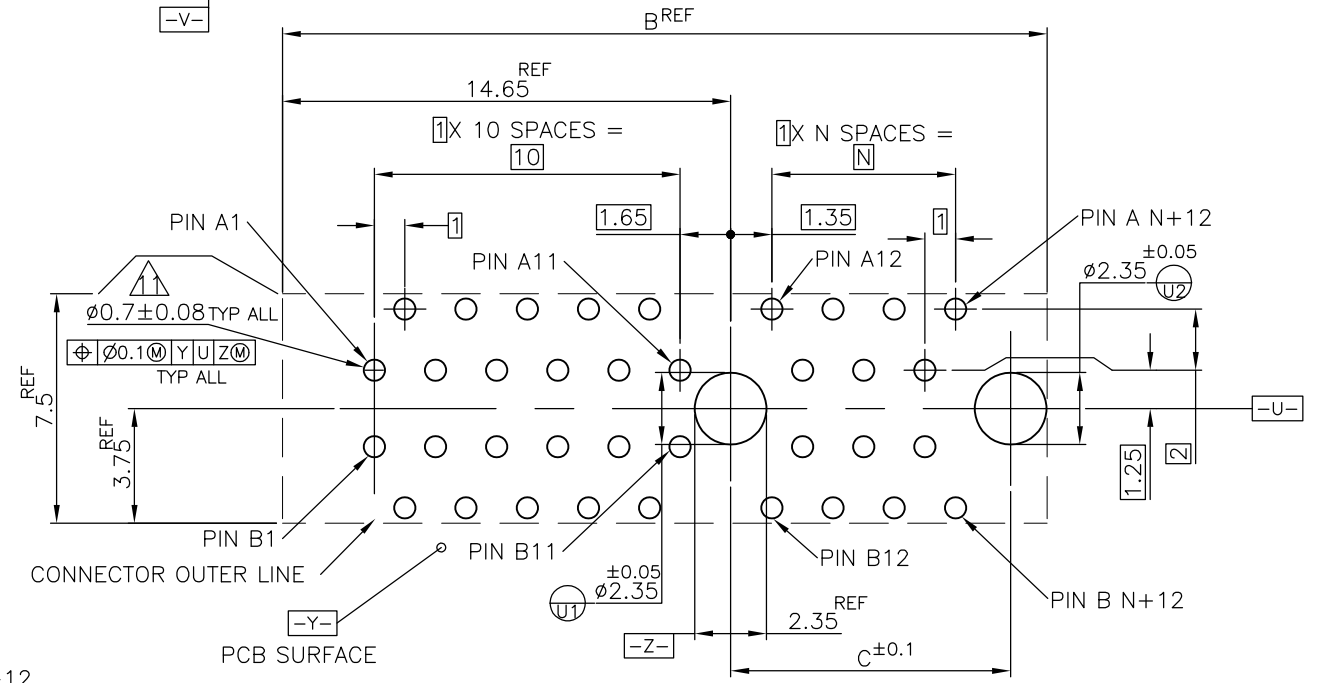
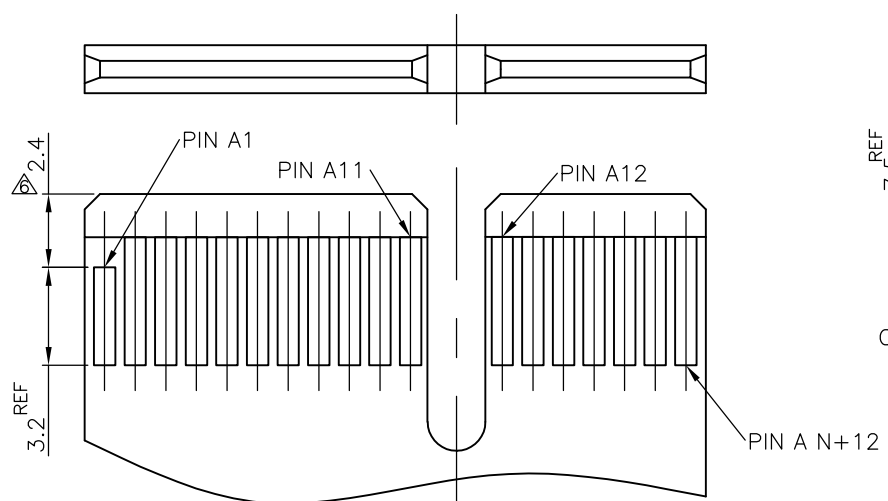
DIMENSIONS: 単位: 耗 mm	TOLERANCES UNLESS OTHERWISE SPECIFIED: 一般公差 ±0.3 ±2	DWN T.KATANO 02DEC05	TE Connectivity
	0-PLC ± 1-PLC ± 2-PLC ± 3-PLC ± 4-PLC ± ANGLES ±	CHK R.MURAYAMA 02DEC05	
MATERIAL 材料	FINISH 仕上	APVD K.KODAIRA 02DEC05	NAME 名称 PCI EXPRESS CARD EDGE CONN. WITH COMPLIANT PIN V-TYPE
	SEE NOTE 2	PRODUCT SPEC 製品規格 108-78340	SIZE A3
		APPLICATION SPEC 取付適用規格	CAGE CODE 00779
		WEIGHT	DRAWING NO 番号 C-1871058
		CUSTOMER DRAWING	RESTRICTED TO
			SCALE 尺度 4:1
			SHEET 1 OF 2
			REV G

THIS DRAWING IS UNPUBLISHED. RELEASED FOR PUBLICATION JUN ,2005.
 © COPYRIGHT 2005 By - ALL RIGHTS RESERVED.

LOC	DIST	REVISIONS		
J		P	LTR	DATE
		-	-	-
		DESCRIPTION		DWN
		SEE SHEET 1		APVD



- THIS DIMENSION IS ONLY APPLIED TO PRSNT PINS.
- CARD THICKNESS APPLIES ACROSS TABS AND INCLUDES PLATING AND/OR METALIZATION.
- CHAMFER EDGES MUST BE FREE OF CUTTING BURRS.
- 9 NO TIE BAR PERMITTED FROM CARD EDGE TO LEADING EDGE OF PAD FOR PRSNT PIN.
- APPLICATION NOTE;
GOLD CONTACT PAD : ELECTROLESS GOLD PLATING 0.05μm MIN. OVER ELECTROLESS Ni PLATING 2μm MIN.
- DRILLED HOLE DIA.: 0.77 TO 0.83
COPPER PLATING: 0.025 TO 0.075mm.
FINISHED HOLE DIA. AFTER PLATING: 0.62 TO 0.78 DIA.



PCB PATTERN LAYOUT (THICKNESS : 1.6mm MIN)

MODULE LAYOUT(MATING PART ONLY)

NOT SPECIFY BY PCI EXPRESS STANDARD

A1,B17,B31,B48,B81,B139	130.15	131.15	147	128	280	
A1,B17,B31,B48,B81,B87	78.15	79.15	95	76	176	16
A1,B17,B31,B48,B81	72.15	73.15	89	70	164	16
A1,B17,B31,B48	39.15	40.15	56	37	98	8
A1,B17,B31	22.15	23.15	39	20	64	4
A1,B17	8.15	9.15	25	6	36	1
PRSNT PIN	E	C	B	N	POS.	PORT

THIS DRAWING IS A CONTROLLED DOCUMENT.		DWN
DIMENSIONS: 單位: 耗 mm		CHK
TOLERANCES UNLESS OTHERWISE SPECIFIED: 一般公差		APVD
0-PLC ± ±0.13		PRODUCT SPEC 製品規格
1-PLC ± ±		APPLICATION SPEC 取付適用規格
2-PLC ± ±		WEIGHT
3-PLC ± ±		CUSTOMER DRAWING
4-PLC ± ±		SCALE 尺度 8:1
ANGLES ±		SHEET 2 of 2
FINISH 仕上		REV G

STE TE Connectivity

NAME 名称: PCI EXPRESS CARD EDGE CONN. WITH COMPLIANT PIN V-TYPE

SIZE: A3 CAGE CODE: 00779 DRAWING NO: 1871058

RESTRICTED TO: -