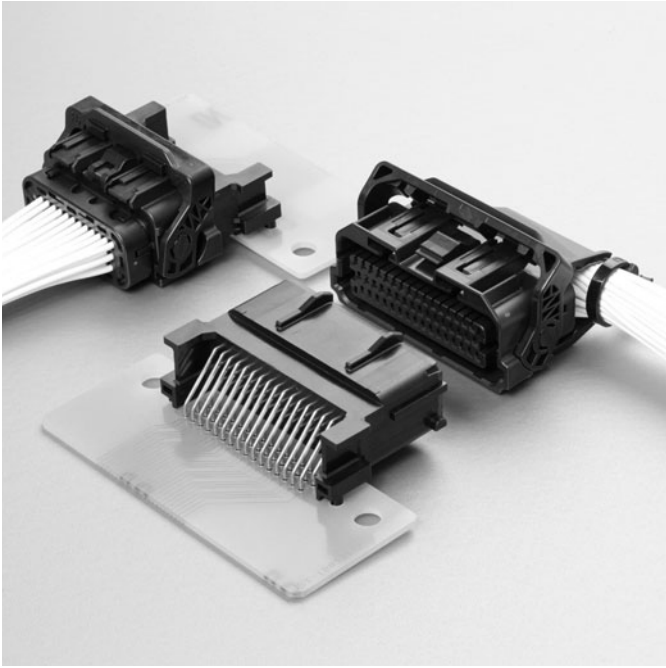


ZRO CONNECTOR

Board-to-wire



This connector is an interface connector, 48 and 36 circuits sealed and lever type.

Features

●Improvement of Operability

The lever is adopted to decrease the connector mating force. The fixing part to PC board is snap fit configuration in consideration of the workability when assembling.

●Sealed

Mat seal is adopted for improving the workability of wire seal part.

●Durability

Heat resistant specification corresponding to 120°C.

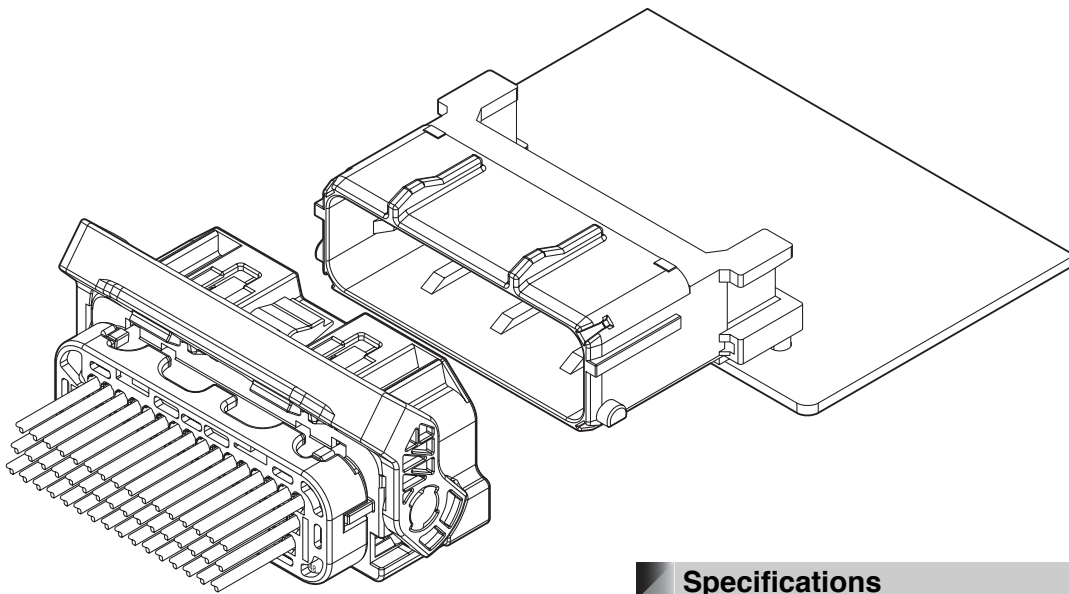
●Reduced waste structure

Low cost and low resources are realized by abolishing use of the wire rod pin and the alignment board.

●Variations

This connector is available in two kinds of keying codes. If the harness cover of an option is used, the harness can be taken out from the side.

Circuits: Lineup of 48 and 36 circuits.



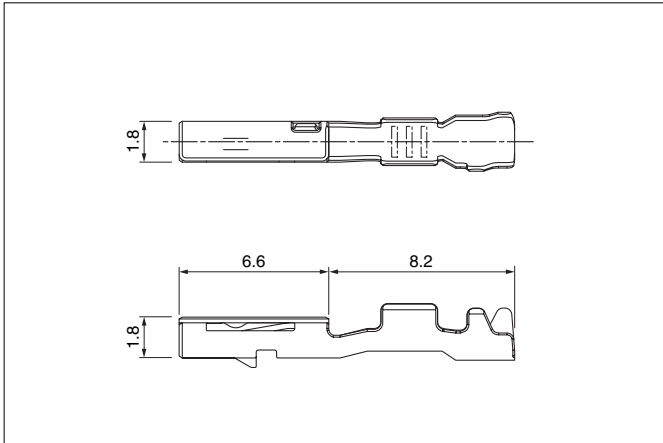
Specifications

- Current rating: Power/ 7 A DC
Signal/ 5 A DC
- Voltage rating: 50 V DC
- Temperature range: -40°C to +120°C
(including temperature rise in applying electrical current)
- Contact resistance: Initial value/ 8 mΩ max.
After environmental tests/ 16 mΩ max.
- Insulation resistance: 100 MΩ min.
- Withstanding voltage: 1,000 VAC/minute
- Applicable wire: AVSS 0.3 mm² to 0.85 mm²
AESSX-f 0.3 mm² to 0.75 mm²

* Compliant with ELV/RoHS.

* Contact JST for details.

Female terminal



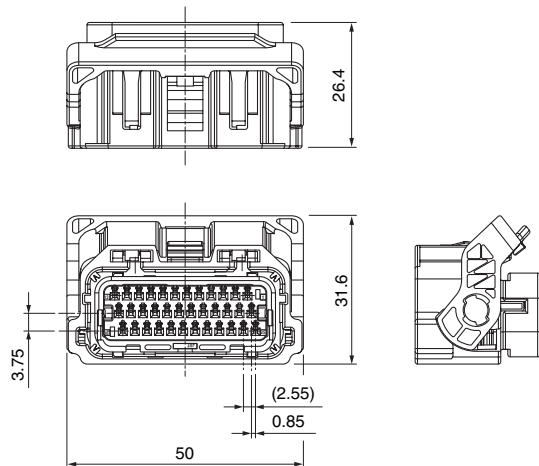
Model No.	Applicable wire range		Q'ty/reel
	Conductor (mm ²)	Insulation O.D. (mm)	
SZRO-A021T-M0.64	0.3 to 0.5	1.4 to 1.7	7,500
SZRO-A031T-M0.64	0.75 to 0.85	1.8 to 1.9	7,000

Material and Finish

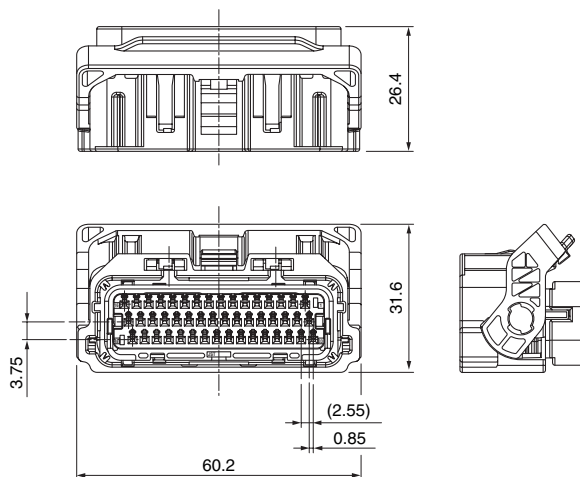
Copper alloy, tin-plated (reflow treatment)

Female connector

• 36 circuits



• 48 circuits



Circuits	Model No.	Key Code	Applicable wire range (mm ²)	Q'ty/box	Housing Color	Wire seal Color
36	36ZRO-B-1A	A	0.5 to 0.85	512	Black	Brown
	36ZRO-B-1B	B	0.5 to 0.85	512	Gray	Brown
	36ZRO-B-2A	A	0.3 to 0.85 (Note)	512	Black	Red
	36ZRO-B-2B	B	0.3 to 0.85 (Note)	512	Gray	Red
48	48ZRO-B-1A	A	0.5 to 0.85	384	Black	Brown
	48ZRO-B-1B	B	0.5 to 0.85	384	Gray	Brown
	48ZRO-B-2A	A	0.3 to 0.85 (Note)	384	Black	Red
	48ZRO-B-2B	B	0.3 to 0.85 (Note)	384	Gray	Red

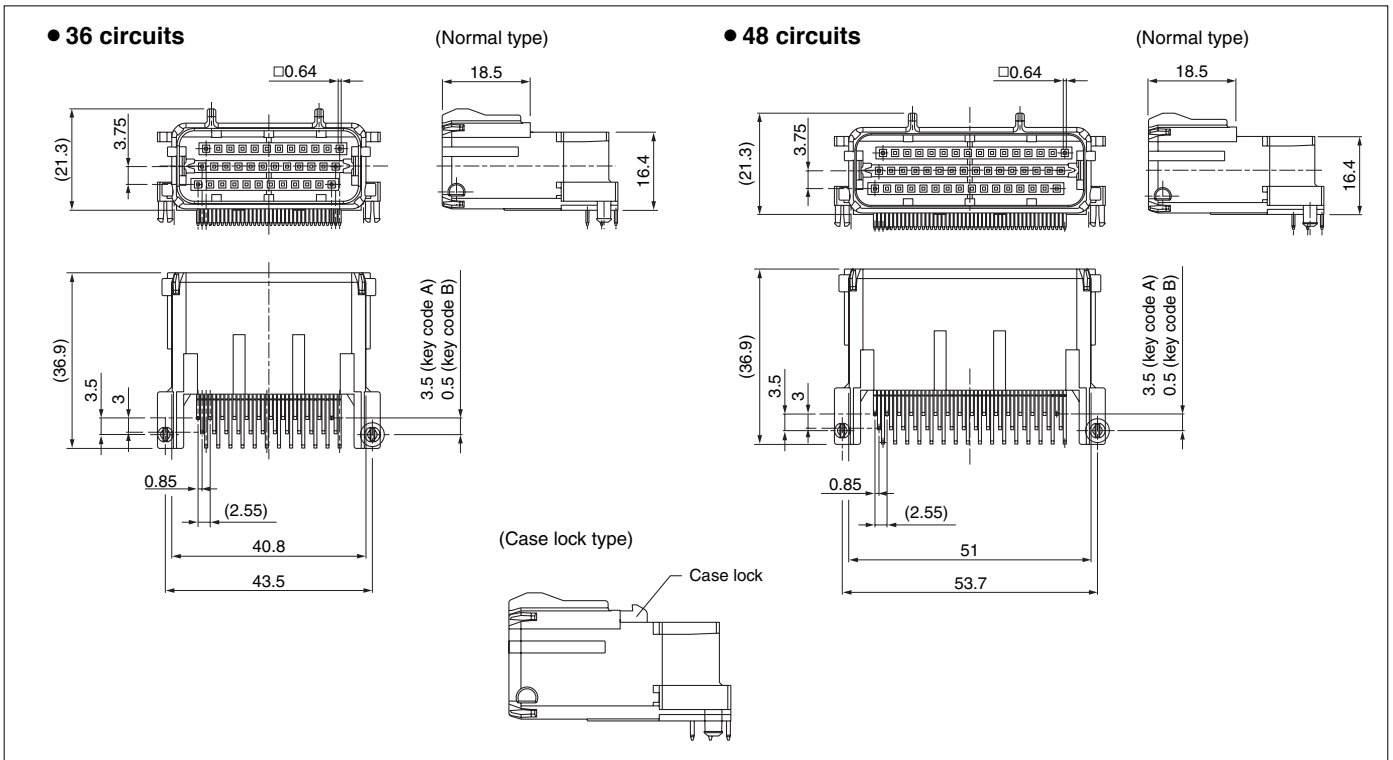
Material

Housing: Glass-filled PBT
Seal: Silicone
Lever: POM

Note: There is a limit to an arrangement and number of wires when 0.75mm² and 0.85mm² wires applied. Refer to the drawing or contact JST for details.

ZRO CONNECTOR

Male connector

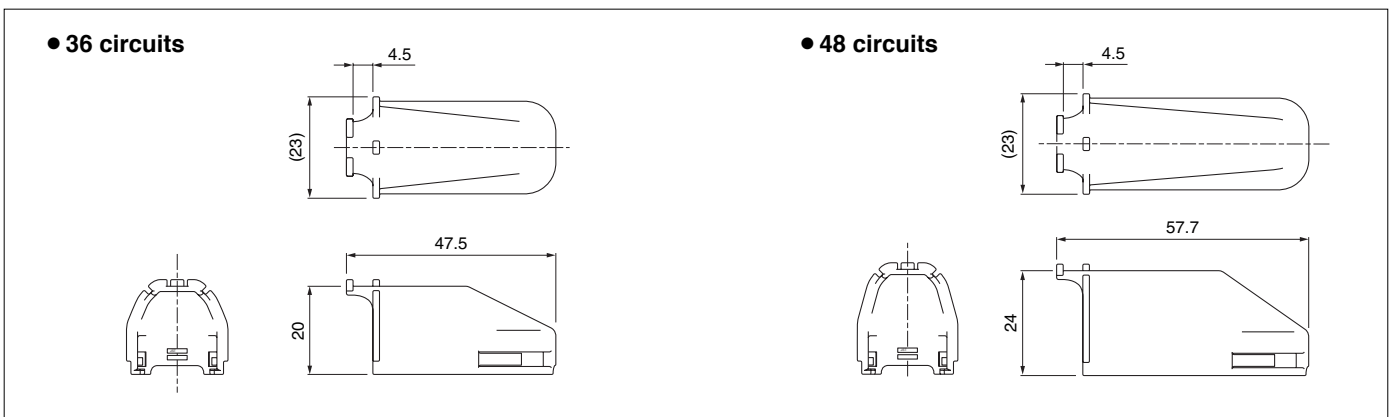


Type	Circuits	Model No.	Key Code	Q'ty/box	Housing Color
Normal	36	S36B-ZROK-2A-R	A	240	Black
		S36B-ZROH-2B-R	B		Gray
	48	S48B-ZROK-2A-R	A	192	Black
		S48B-ZROH-2B-R	B		Gray
Case lock	36	S36B-ZROK-3A-R	A	240	Black
		S36B-ZROH-3B-R	B		Gray
	48	S48B-ZROK-3A-R	A	192	Black
		S48B-ZROH-3B-R	B		Gray

Material and Finish

Housing: Glass-filled PBT
Pin: Brass, tin-plated (reflow treatment)

Harness cover

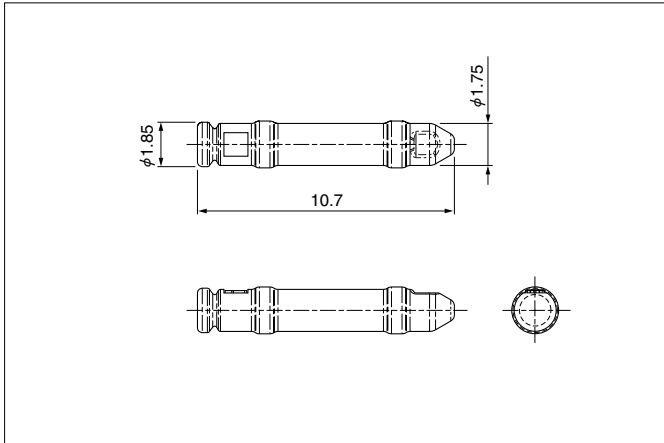


Circuits	Model No.	Q'ty/box	Housing Color
36	ZROHC-36H-K-1	900	Black
48	ZROHC-48H-K-1	600	Black

Material

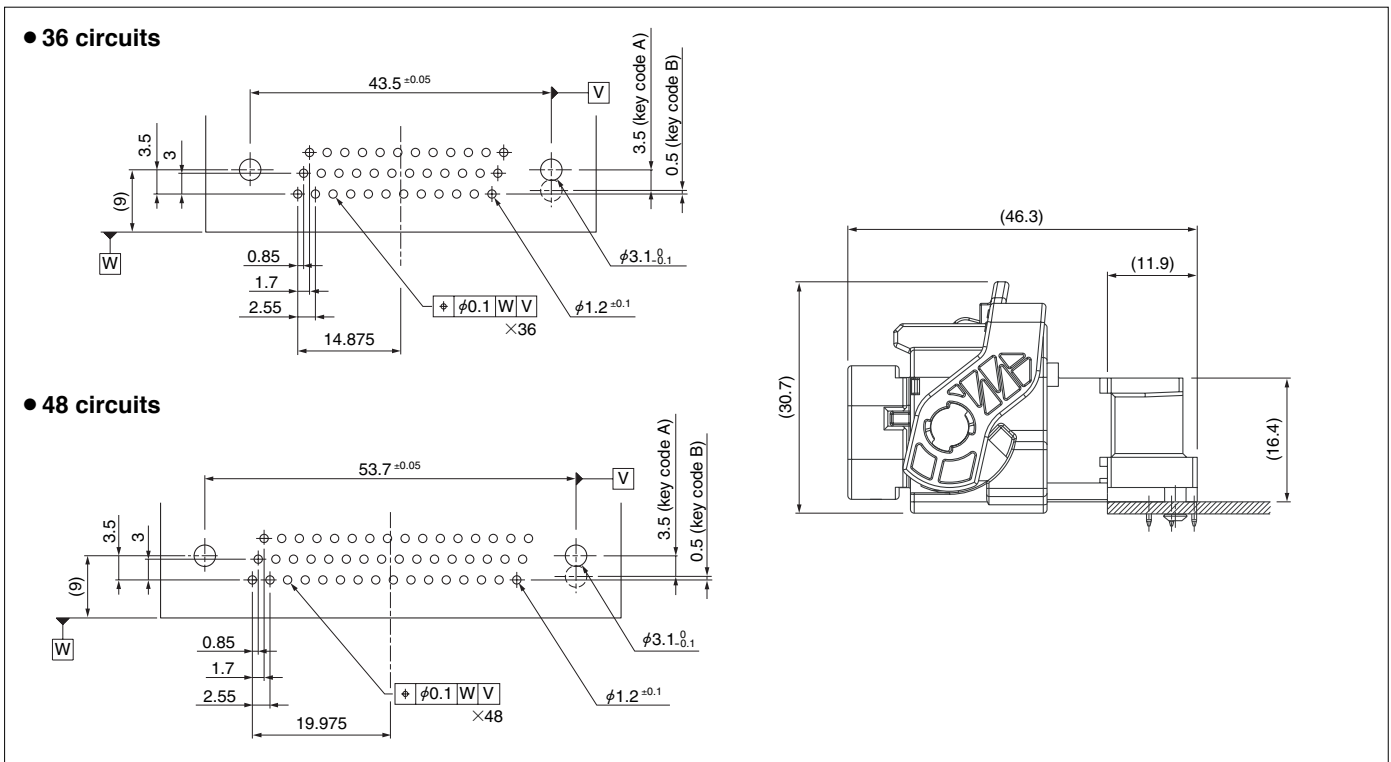
PBT

Dummy plug



Model No.	Q'ty/box
WPHDP-H-1A-H	7,000
Material	
PBT, gray	

PC board layout, Assembly layout



Crimping machine, Applicator

Strip terminal	Crimping machine	Crimp applicator MKS-L	
		Dies	Crimp applicator with dies
SZRO-A021T-M0.64	AP-K2N	MK/SWPH-A021-064	APLMK SWPH-A021-064
SZRO-A031T-M0.64		MK/SZRO-A031-064	APLMK SZRO-A031-064

Note: When crimping operation is conducted using an applicator and die set other than the above, JST cannot guarantee the performance of the terminal.

Mouser Electronics

Authorized Distributor

Click to View Pricing, Inventory, Delivery & Lifecycle Information:

JST:

[48ZRO-B-1A\(N\)](#) [SZRO-A021T-M0.64](#)