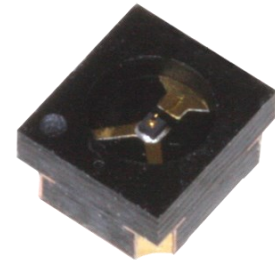


# Infrared Light Emitting Diode

OPR2800T



## Features:

- High-power GaAIAs
- Matches PLCC-2 footprint
- 875 nm wavelength
- Wide beam angle
- Wide operating temperature range (-40° C to +100° C)

## Description:

The **OPR2800T** is a GaAIAs infrared LED mounted in a surface mount chip carrier (SMCC) package with a flat lens window that allows a wide beam angle. The SMCC format has a lower height profile than the PLCC-2 package and mounts in the same footprint. The device is suitable for use in single device or array applications. The OPR2800T is spectrally matched to the OPR5500 phototransistor.

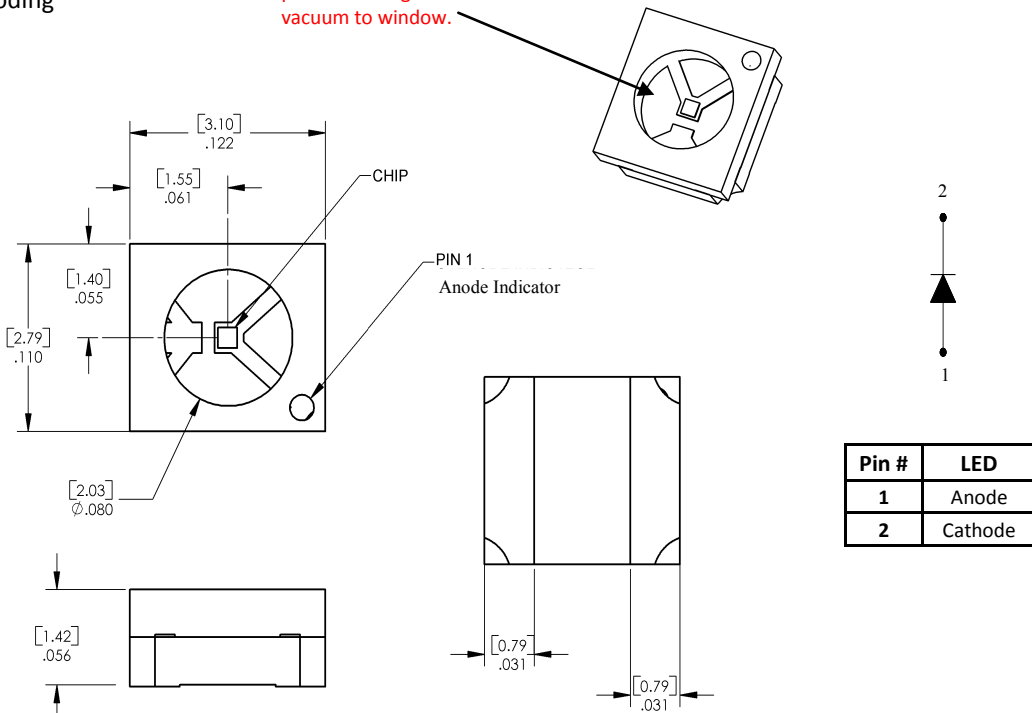
See Application Bulletin 237 for handling instructions.

## Applications:

- Non-contact position sensing
- Datum detection
- Machine automation
- Optical encoding

**Warning: Front Window is pressure sensitive. Do not apply pressure or high vacuum to window.**

Ordering Information			
Part Number	LED Peak Wavelength	Total Beam Angle	Packaging
OPR2800T	875 nm	100°	Tape & Reel



Pin #	LED
1	Anode
2	Cathode



General Note  
TT Electronics reserves the right to make changes in product specification without notice or liability. All information is subject to TT Electronics' own data and is considered accurate at time of going to print.

OPTEK Technology, Inc.  
1645 Wallace Drive, Carrollton, TX 75006 | Ph: +1 972 323 2200  
www.optekinc.com | www.ttelectronics.com

# Infrared Light Emitting Diode

OPR2800T



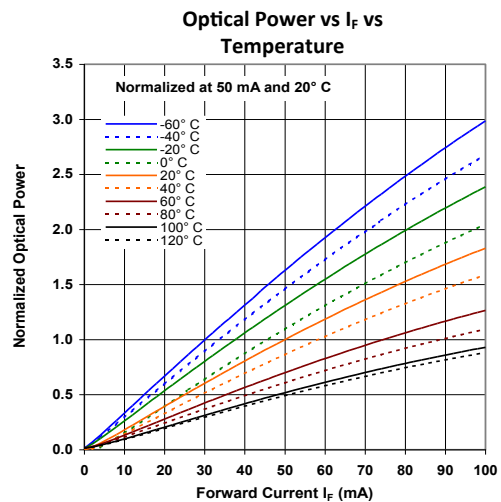
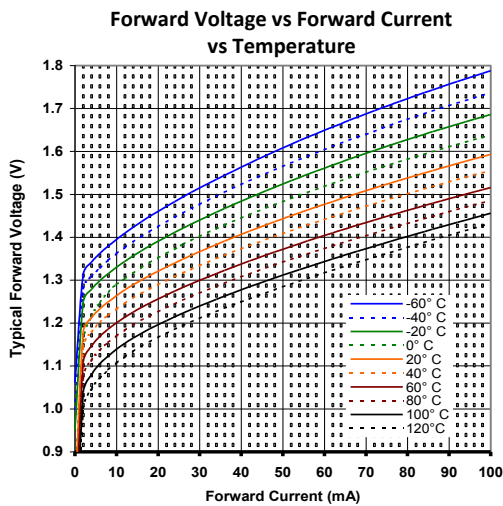
Absolute Maximum Ratings ( $T_A = 25^\circ\text{C}$ unless otherwise noted)	
Storage Temperature Range	$-55^\circ\text{C}$ to $+125^\circ\text{C}$
Operating Temperature Range	$-40^\circ\text{C}$ to $+100^\circ\text{C}$
Reverse Voltage	30 V
Continuous Forward Current	50 mA
Solder reflow time within $5^\circ\text{C}$ of peak temperature is 20 to 40 seconds <sup>(1)</sup>	$250^\circ\text{C}$
Power Dissipation	$130\text{ mW}^{(2)}$

Electrical Characteristics ( $T_A = 25^\circ\text{C}$ unless otherwise noted)						
SYMBOL	PARAMETER	MIN	TYP	MAX	UNITS	TEST CONDITIONS
$E_{e(APT)}$	Apertured Radiant Incidence	0.2	-	-	$\text{mW}/\text{cm}^2$	$I_F = 20\text{ mA}^{(3)}$
$V_F$	Forward Voltage	-	-	1.50	V	$I_F = 50\text{ mA}$
$I_R$	Reverse Current	-	-	100	$\mu\text{A}$	$V_R = 2.0\text{ V}$
$\lambda_p$	Wavelength at Peak Emission	-	875	-	nm	$I_F = 10\text{ mA}$
$\theta_{HP}$	Emission Angle at Half Power Points	-	100	-	Degree	$I_F = 20\text{ mA}$
$t_r, t_f$	Output Rise Time, Output Fall Time	-	-	500	ns	$I_{F(PK)} = 100\text{ mA}$ , $PW = 10\ \mu\text{s}$ , $D.C. = 10.0\%$

Notes:

- Solder time less than 5 seconds at temperature extreme.
- Derate linearly at  $1.39\text{ mW}/^\circ\text{C}$  above  $25^\circ\text{C}$ .
- $E_{e(APT)}$  is a measurement of the apertured radiant incidence upon a sensing area  $0.081''$  ( $2.06\text{ mm}$ ) in diameter, perpendicular to and centered on the mechanical axis of the lens and  $0.590''$  ( $14.99\text{ mm}$ ) from the measurement surface.  $E_{e(APT)}$  is not necessarily uniform within the measured area.

### OPR2800T



General Note  
 TT Electronics reserves the right to make changes in product specification without notice or liability. All information is subject to TT Electronics' own data and is considered accurate at time of going to print.

OPTEK Technology, Inc.  
 1645 Wallace Drive, Carrollton, TX 75006 | Ph: +1 972 323 2200  
[www.optekinc.com](http://www.optekinc.com) | [www.ttelectronics.com](http://www.ttelectronics.com)