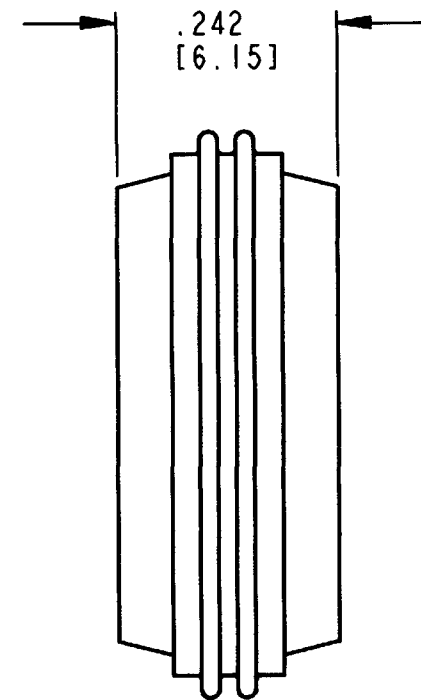
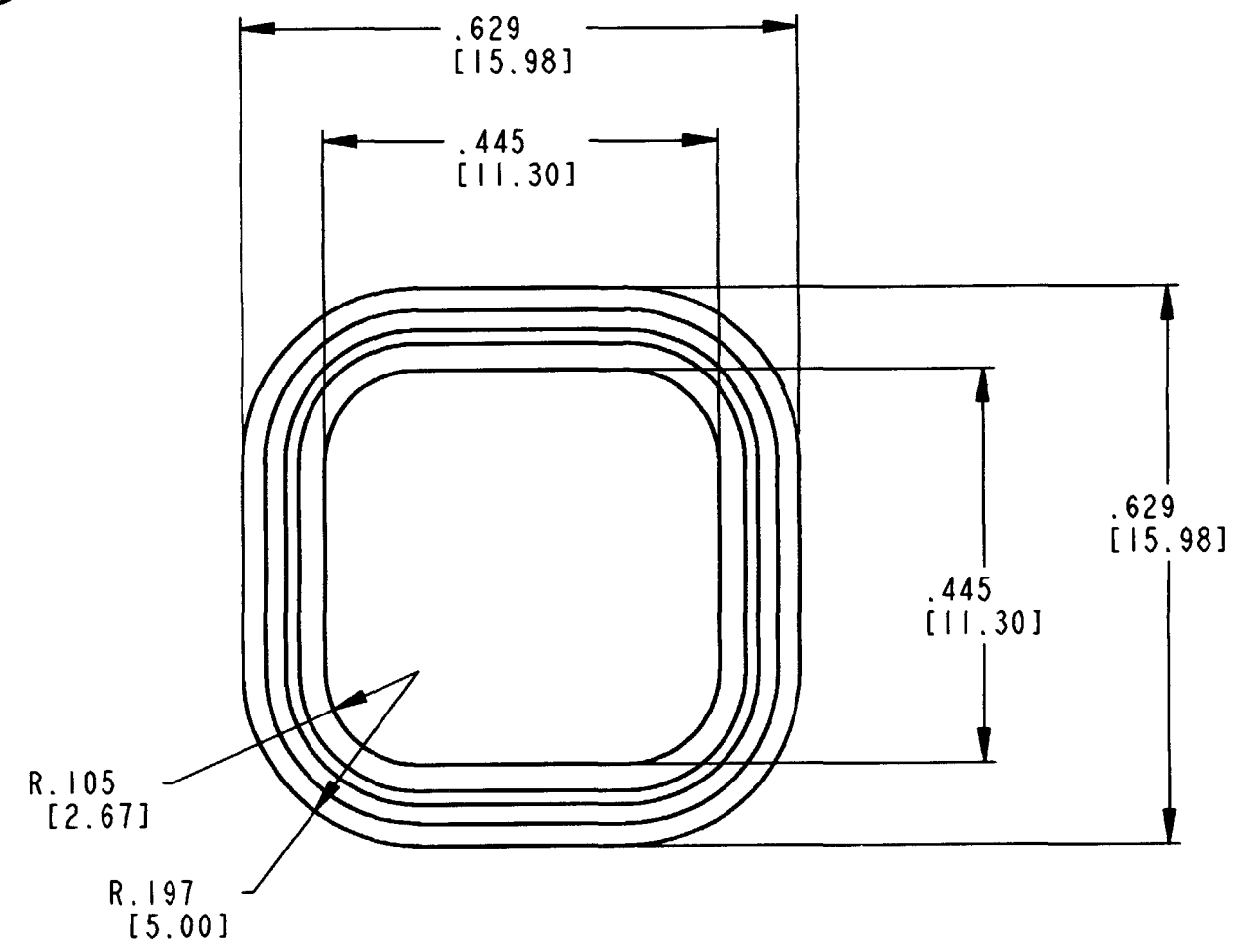


REV A	1010-070-0606	REVISIONS		
SYM	DESCRIPTION	DATE	APPROVED	
NC	NEW RELEASE PER E.O. P15223			
A	REVISED PER E.O. P15966	3-26-99	RDR	



- NOTES: 1. ALL DIMENSIONS ARE IN INCHES (MILLIMETERS).
2. ALL DIMENSIONS ARE $\pm .025$ (0.63) UNLESS OTHERWISE SPECIFIED.
3. CONSULT FACTORY FOR CONTACT SPECIFICATION AND APPLICATION.
4. USE ON P/N DT06-6S-P012 AND ALL SEAL RETENTION MODIFICATIONS.

SIGNATURE & DATE	
DR	D.SPENCER 23MAR99
CHK	<i>Spencer 3-26-99</i>
PE	<i>R. Reed 3-29-99</i>
APPD	<i>R. Reed 3-26-99</i>
SCALE	5:1 WT

FRONT SEAL
FOR 6 WAY PLUG
DT SERIES

ENVELOPE

CP	MATL. CODE
The Deutch Company DEUTSCH I.P.D. 3850 INDUSTRIAL AVE. HEMET, CALIF. 92545	
B	1010-070-0606
DWG SIZE	CODE 11139 SHEET OF