

## Interactive Catalog Supplements Catalog PDFs

If you need detailed product information, or help choosing the right product for your application, see our [Interactive Catalog](#). Use the [Interactive Catalog](#) to access the most complete and up-to-date information available.

The [Interactive Catalog](#) provides an extensive collection of product specifications, application data, and technical literature that can be searched based on criteria you select.

This PDF catalog information was published in November 2000.



Sensing and Control  
[Interactive  
Catalog...](#)

**Click this icon to try  
the Interactive Catalog.**

---

### Sensing and Control

Honeywell Inc.

11 West Spring Street

Freeport, IL 61032

# Limit and Enclosed Switches

## International Compact Limit Switches

LS Series



### FEATURES

- Ideal source of replacement parts for imported machine tools or transplant factories.
- Temperature range -20 °C to 70 °C (-2 °F to 158 °F)
- Mode of operation is field adjustable
- NEMA 1, 3, 3R, 4, 6, 12, and 13

### CIRCUITRY

<p>Two-Circuit Double-Break</p>	10A – 125, 250, 480 VAC 0.8A – 125 VDC, 0.4A – 250 VDC ½ HP – 125 VDC, 1 HP – 250 VAC
---------------------------------	---------------------------------------------------------------------------------------------

### INTERNATIONAL LISTINGS ORDER GUIDE

Description	Yamatake	O.F. max.	P.T. max.	O.T. max.	D.T. max.
Standard	ILS1-J	1360g	20°	30°	12°
Low Pretravel	ILS19-J	1360g	7°	30°	3°

### HIGH OVERTRAVEL SWITCH WITH ACTUATOR



Characteristics: O.F. – Operating Force; P.T. – Pretravel; O.T. – Overtravel; D.T. – Differential Travel

### ORDER GUIDE

Description	Catalog Listing	O.F. max.	P.T. max.	O.T. min.	D.T. max.
High Overtravel	1LS-J50	3.43 kg-cm	30°	60°	15°
High Overtravel	<b>1LS-J500</b>	3.43 kg-cm	20°	55°	12°
High Overtravel Low Pretravel	1LS-J550	3.43 kg-cm	10°	62°	5°

### TOP BALL PLUNGER



### ORDER GUIDE

Description	Catalog Listing	O.F. max.	P.T. max.	O.T. min.	D.T. max.
Top Ball Plunger	2LS-J6	2,720 g	1.7mm	4.0mm	0.15mm
Replacement Head	9PA-J66				
Contact Block	2MN11-J				

### OPTIONAL INDICATOR

Limit switch cover with indicator module can be ordered separately or as a complete switch by adding “E” or “EC” to catalog listings (ex. 1LS1-JE).



### ORDER GUIDE

Voltage	Catalog Listing	Additional Letter for Complete Switch
100/200 VAC Neon	LS-29PA1	<b>E</b> ex. 1LS1-JE
12 to 125 VAC/DC LED	LS-29PAEC	<b>EC</b> ex. 1LS1-JEC

**Note:** The lamp module on back of cover can be easily rotated to monitor either the N.O. or the N.C. contacts.

# Limit and Enclosed Switches

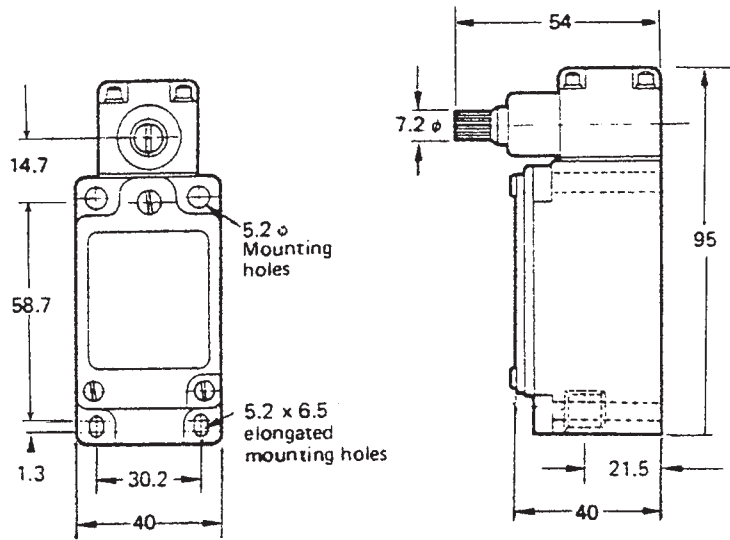
## International Compact Limit Switches

LS Series

### MOUNTING DIMENSIONS

(For reference only)

Key:  $\frac{0,0}{0.00} = \frac{\text{mm}}{\text{inches}}$



### Conduit Thread

“PG” specifies PG 13,5 thread e.g. 1LS1-4PG

“C” specifies 20 mm thread e.g. 1LS1-4C

(Minimum order quantities may be required for optional conduit threads.)

Limit/Enclosed