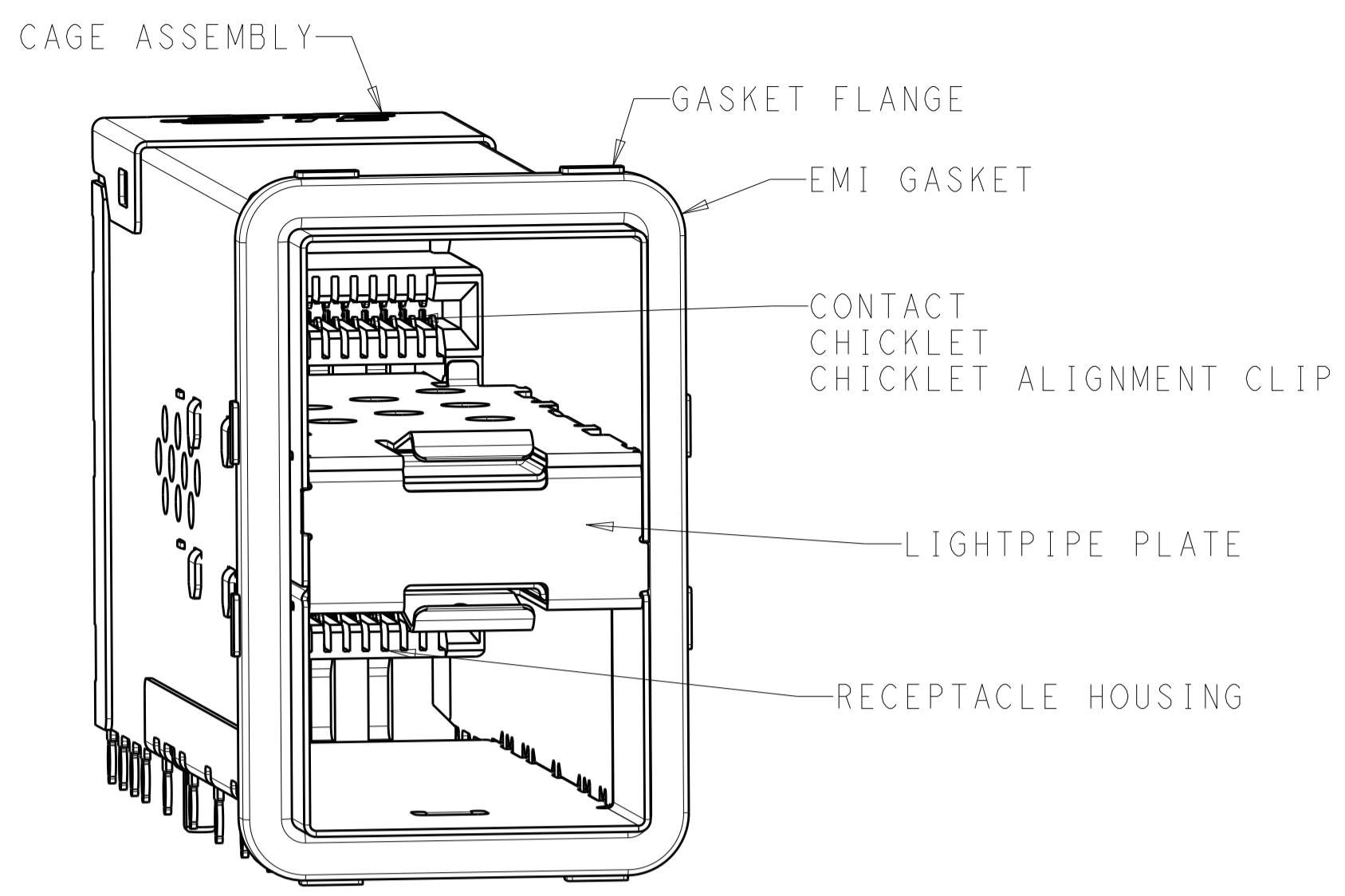
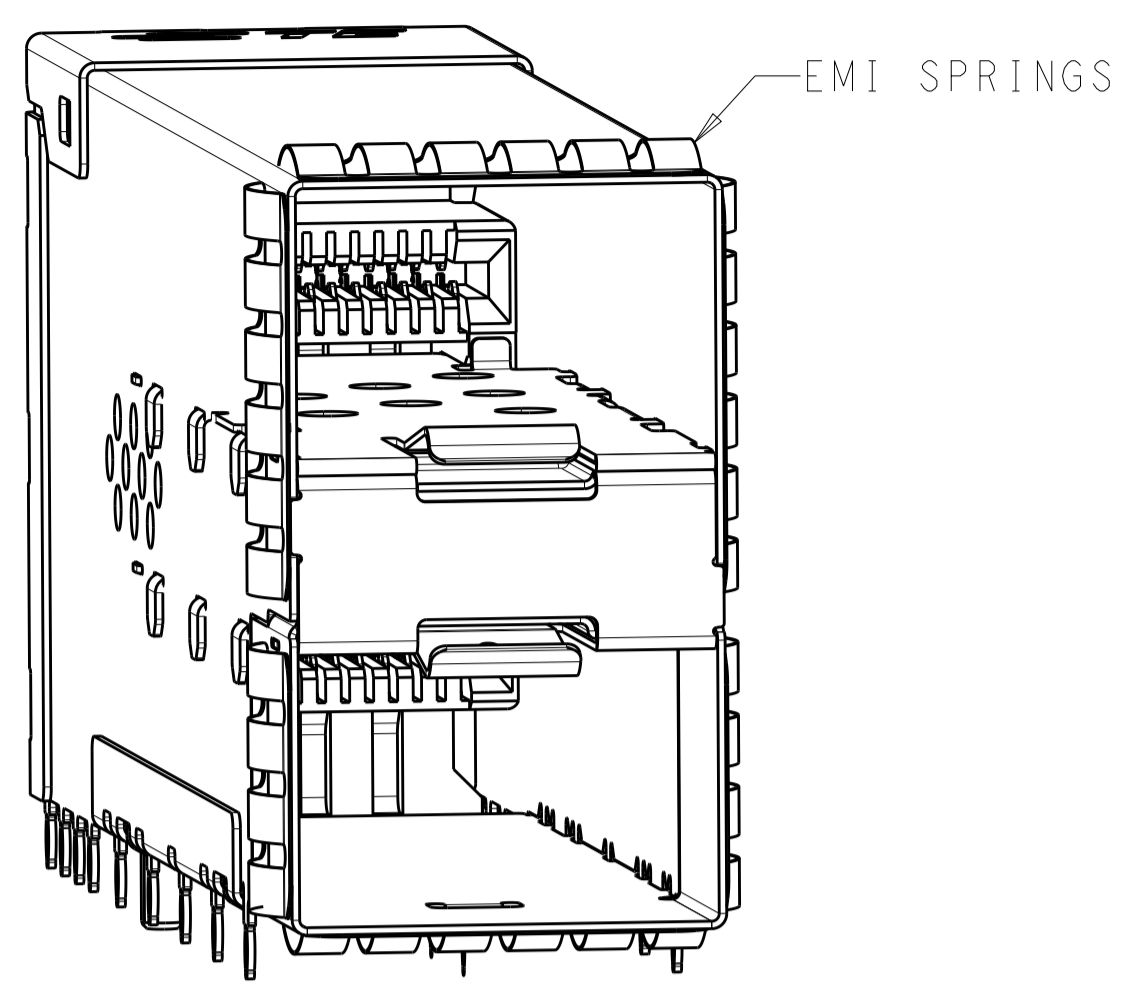


LOC	DIST	REVISIONS			
P	LTN	DESCRIPTION	DATE	DWN	APVD
1		INITIAL RELEASE	26FEB2019	JW	SH



2349202-1  
SCALE 4:1



2349202-5  
SCALE 4:1

- MATERIALS:  
 CAGE ASSEMBLY - NICKEL-SILVER ALLOY PER ASTM B 122  
 CONNECTOR HOUSING - LCP, BLACK, UL 94V-0 RATED  
 CHICKLET - LCP, BLACK, UL 94V-0 RATED  
 CHICKLET ALIGNMENT CLIP - LCP, BLACK, UL 94V-0 RATED  
 CONTACT - COPPER ALLOY  
 EMI GASKET - ELASTOMERIC  
 GASKET FLANGE - STAINLESS STEEL  
 EMI SPRINGS - PHOSPHOR BRONZE PER ASTM B 103,  
 0.8µm MIN TIN PER ASTM B 545  
 LIGHT PIPE - POLYCARBONATE  
 LIGHT PIPE PLATE - STAINLESS STEEL

- CONTACT FINISH:  
 CONFORMS TO THE REQUIREMENTS OF PRODUCT SPECIFICATION 108-2481, BASED ON EIA/ECA-364-1000.01A, (CONTROLLED ENVIRONMENT APPLICATIONS) ON MATING INTERFACE, TIN ON NEEDLE EYE

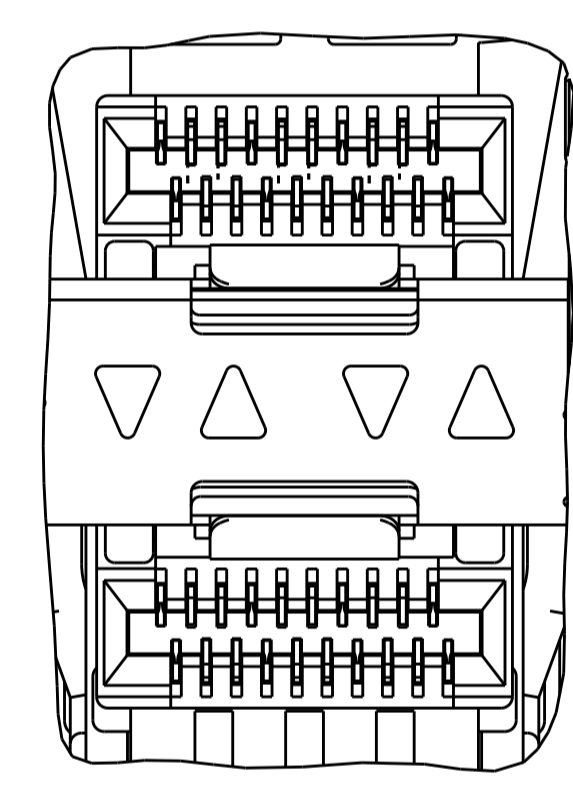
- PCB MINIMUM THICKNESS = 1.5mm

△4 FOR HOLE SIZE AND PLATINGS,  
 SEE APPLICATION SPECIFICATION 114-13319

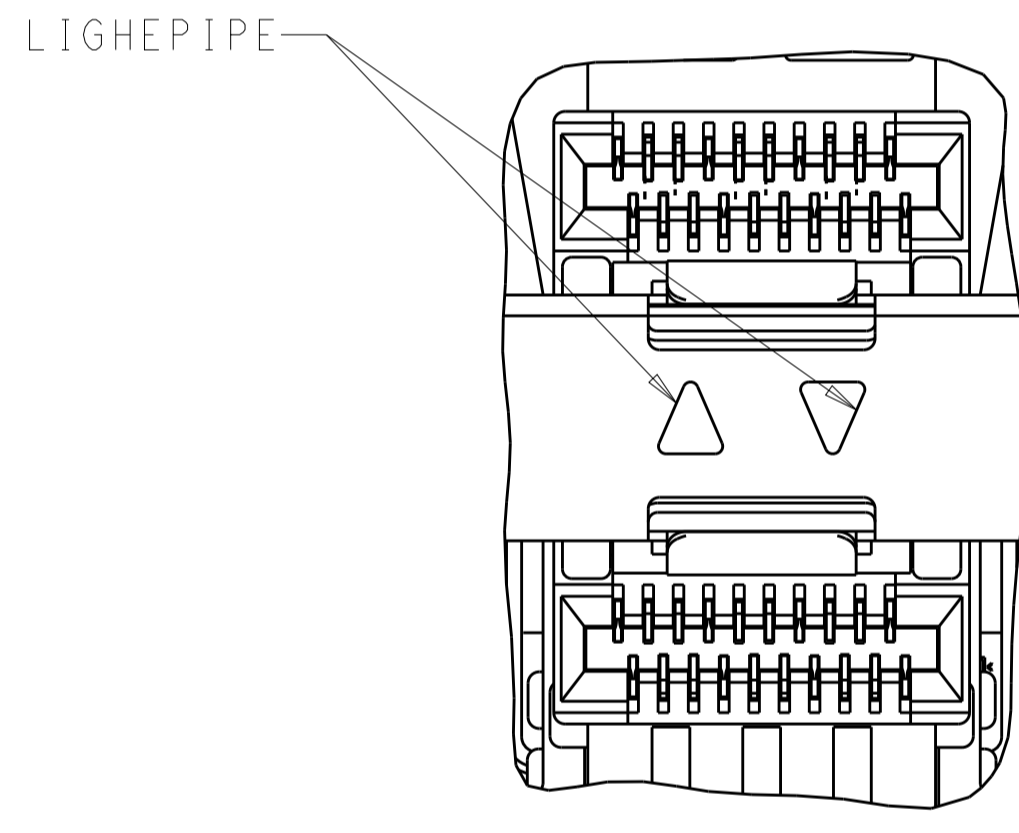
△5 LIGHT PIPE PAD LAYOUT IS FOR 0805 LOW PROFILE  
 LED PACKAGE WITH A HEIGHT OF 0.8mm

△6 DIMENSIONS APPLY FOR EMI SPRINGS ONLY

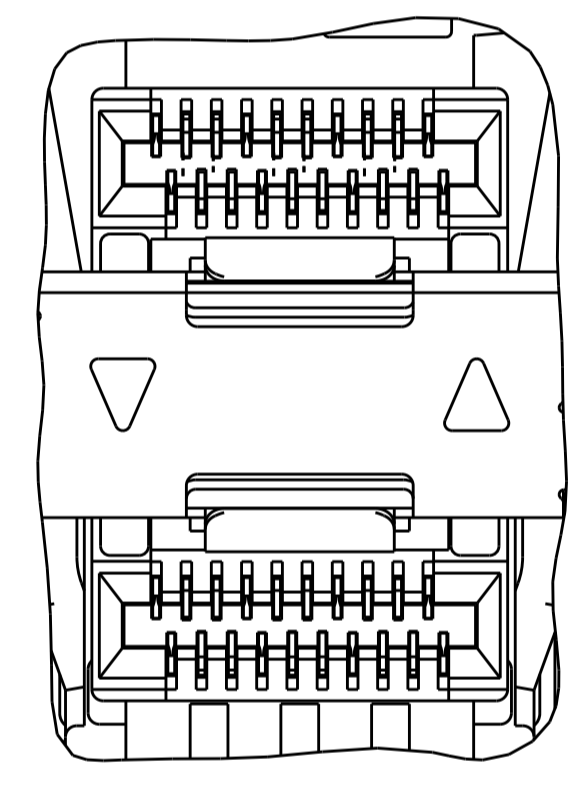
△7 THE ENTIRE AREA OF THE CONNECTOR FOOTPRINT, INDICATED BY THE  
 DASHED LINE, TO BE CONSIDERED THE KEEPOUT AREA FOR COMPONENTS  
 AND SIGNAL TRACES, TOP SIDE ONLY, TOP SIDE TRACES ALLOWED  
 WITHIN CONNECTOR HOLE PATTERN



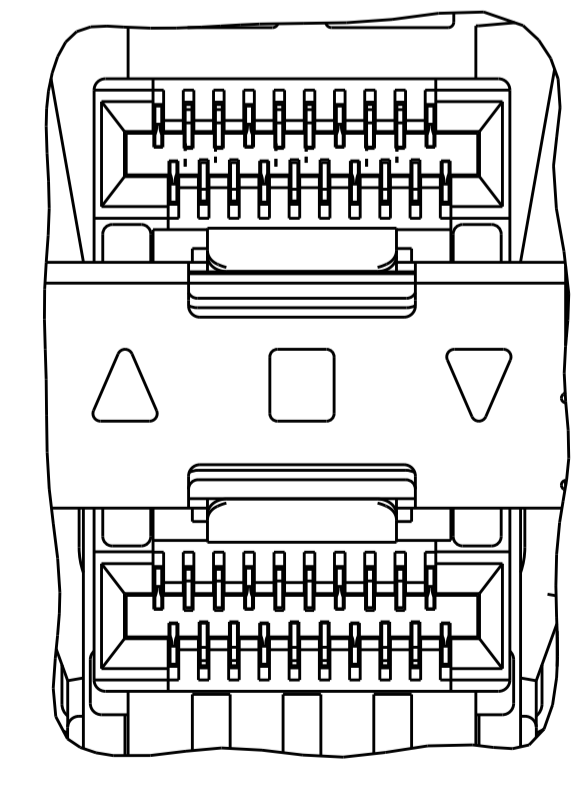
INNER/OUTER LIGHT PIPES  
 2349202-2, 2349202-6  
 SCALE 5:1



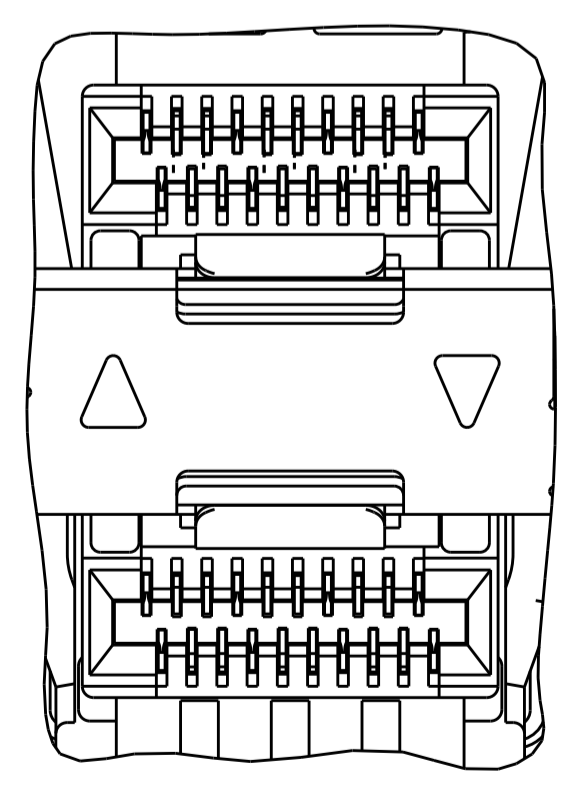
INNER LIGHT PIPES  
 2349202-3, 2349202-7  
 SCALE 5:1



OUTER LIGHT PIPES  
 2349202-4, 2349202-8  
 SCALE 5:1



CENTER/REVERSED OUTER LIGHT PIPES  
 1-2349202-7, 1-2349202-9  
 SCALE 5:1



REVERSED OUTER LIGHT PIPES  
 1-2349202-8, 2-2349202-0  
 SCALE 5:1

SIZE	EMI SPRINGS	EMI GASKET	EMI SPRINGS	EMI GASKET	CAGE TYPE	RECEPTACLE CONFIGURATION	PART NUMBER
16.75	EMI SPRINGS	REVERSED OUTER	2-2349202-0				
		CENTER/REVERSED OUTER	1-2349202-9				
19.5	EMI GASKET	REVERSED OUTER	1-2349202-8				
		CENTER/REVERSED OUTER	1-2349202-7				
16.75	EMI SPRINGS	OUTER	2349202-8				
		INNER	2349202-7				
		INNER/OUTER	2349202-6				
		NONE	2349202-5				
19.5	EMI GASKET	OUTER	2349202-4				
		INNER	2349202-3				
		INNER/OUTER	2349202-2				
		NONE	2349202-1				
(E)	CAGE TYPE	LIGHT PIPE CONFIGURATION				PART NUMBER	

THIS DRAWING IS A CONTROLLED DOCUMENT.

DIMENSIONS: mm

TOLERANCES UNLESS OTHERWISE SPECIFIED:  
 0 PLC ±0.25  
 1 PLC ±0.25  
 2 PLC ±0.25  
 3 PLC ±0.25  
 4 PLC ±0.25  
 ANGLES ±°

MATERIAL: SEE NOTES

FINISH: SEE NOTES

CUSTOMER DRAWING

DWN: J. WANG 26FEB2019  
 CHK: S. HAN 26FEB2019  
 APVD: S. HAN 26FEB2019

PRODUCT SPEC: 108-2481  
 APPLICATION SPEC: 114-13319

SIZE: A1  
 CAGE CODE: 00779  
 DRAWING NO: 2349202

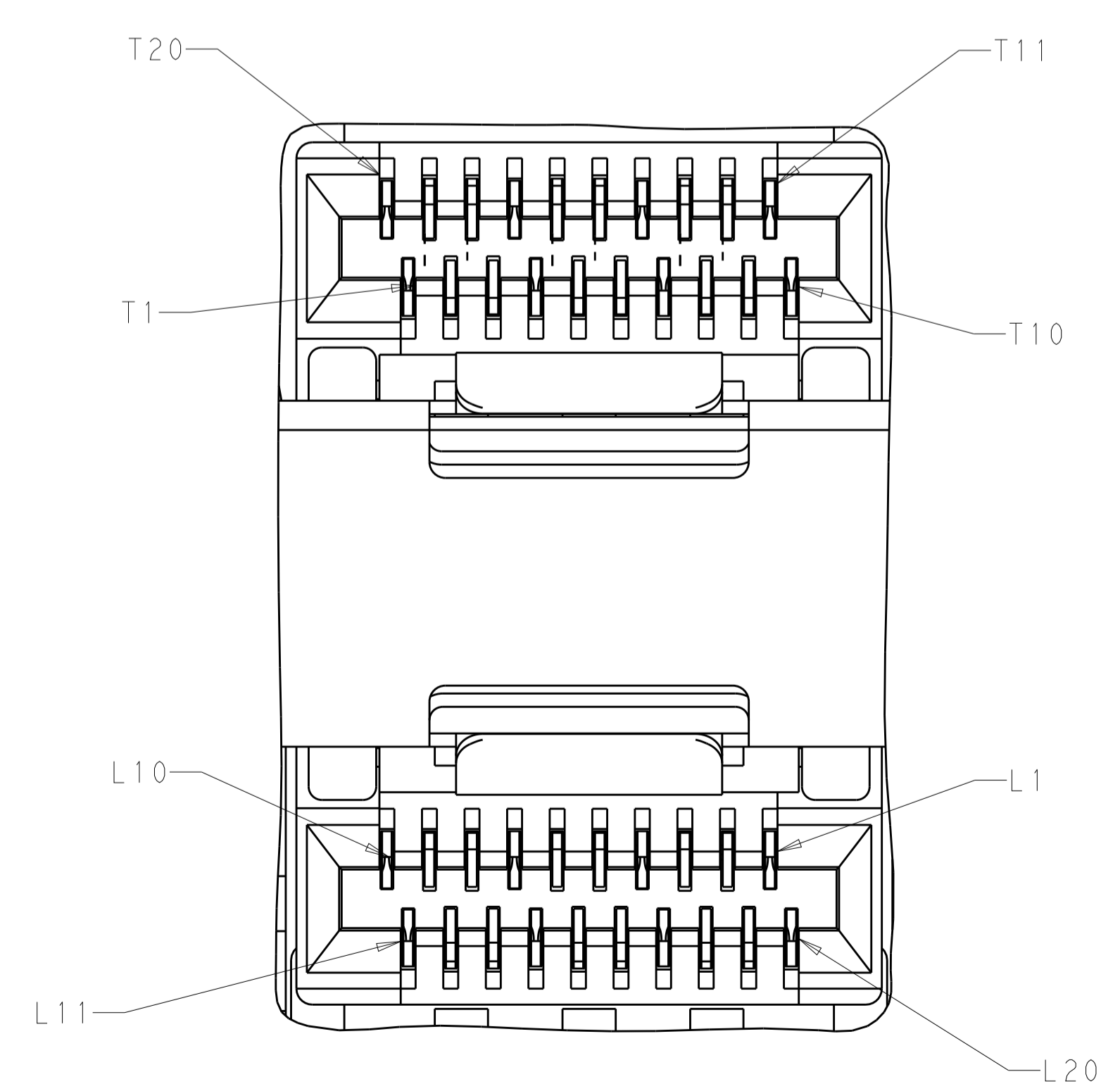
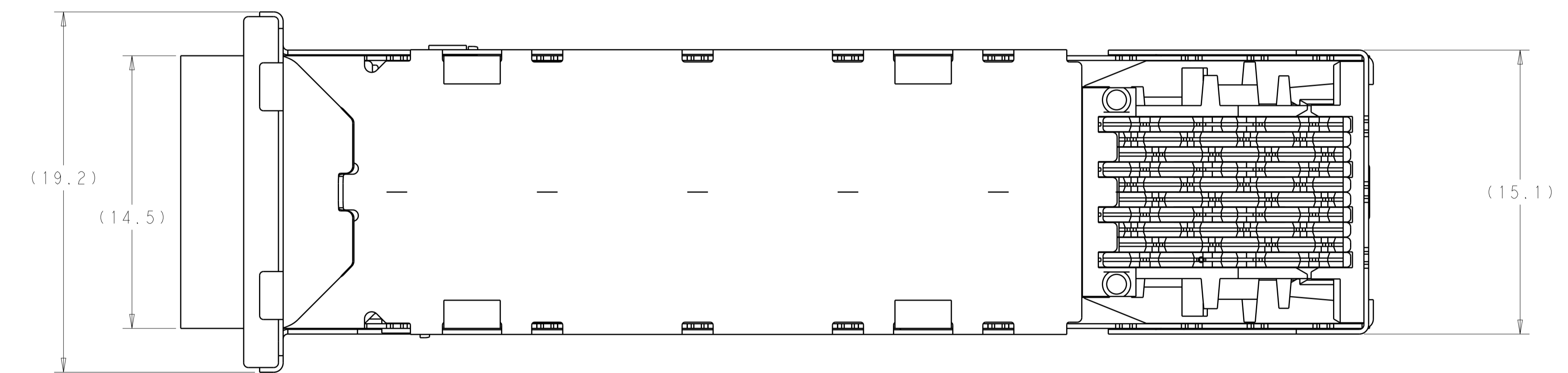
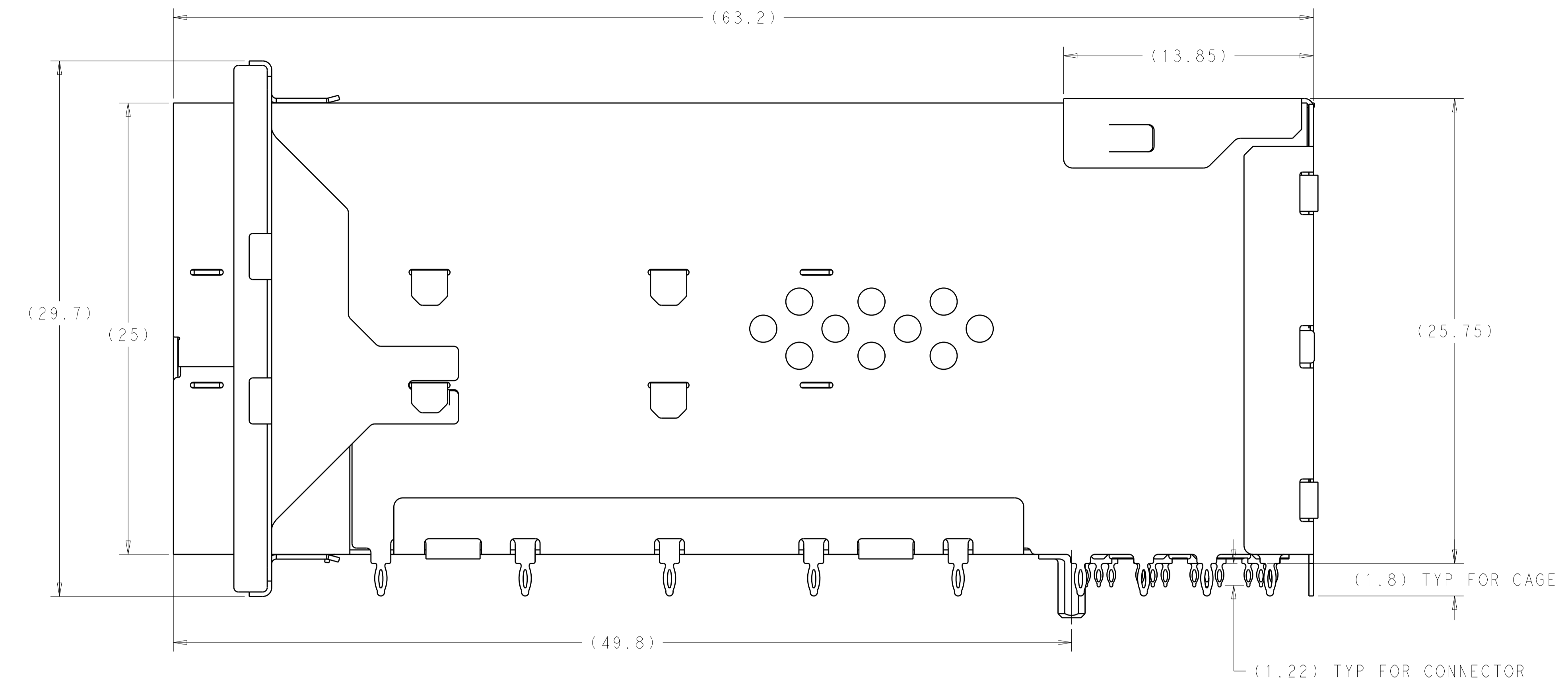
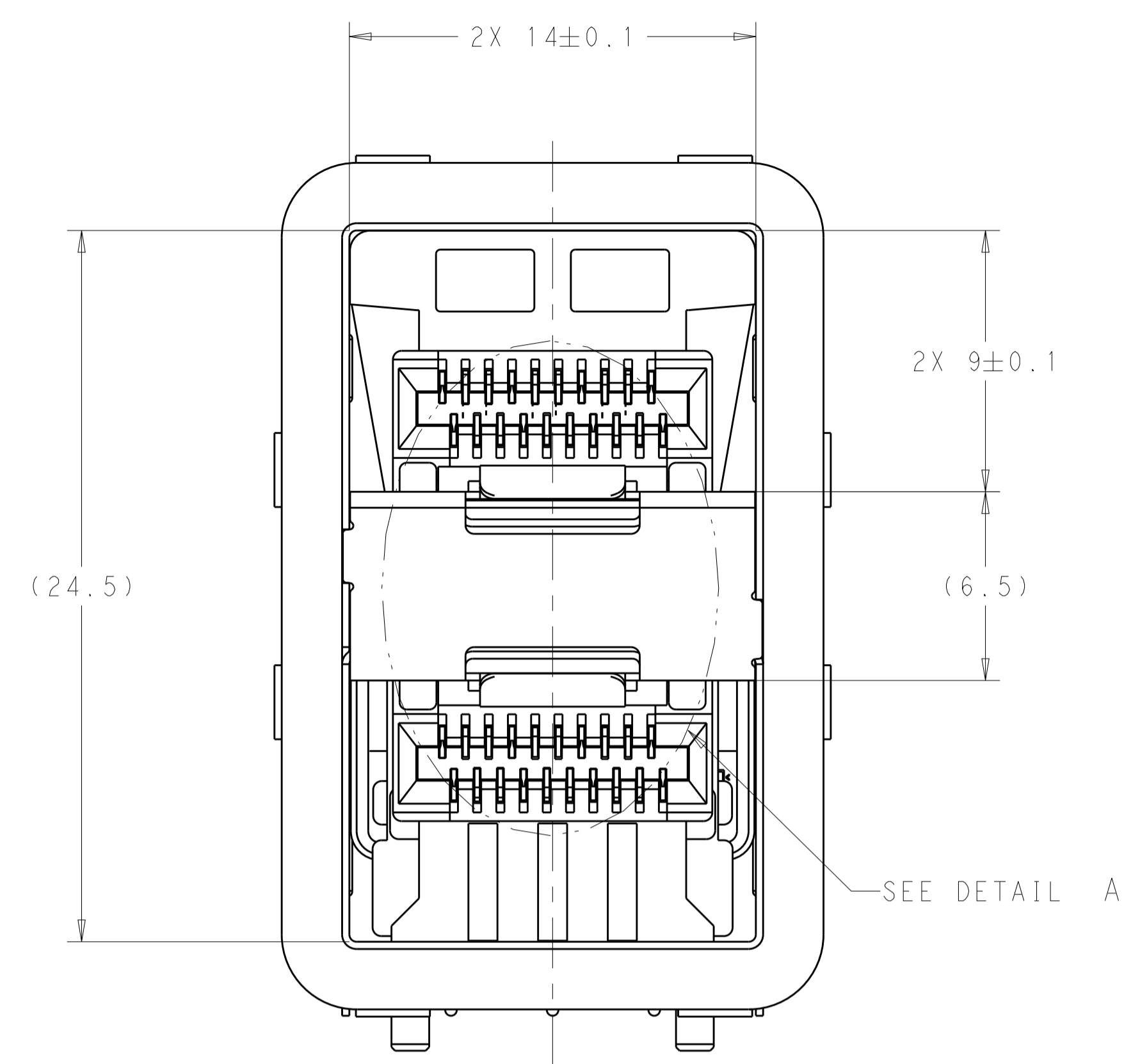
RESTRICTED TO: -

SCALE: 4:1 SHEET 1 OF 4 REV A

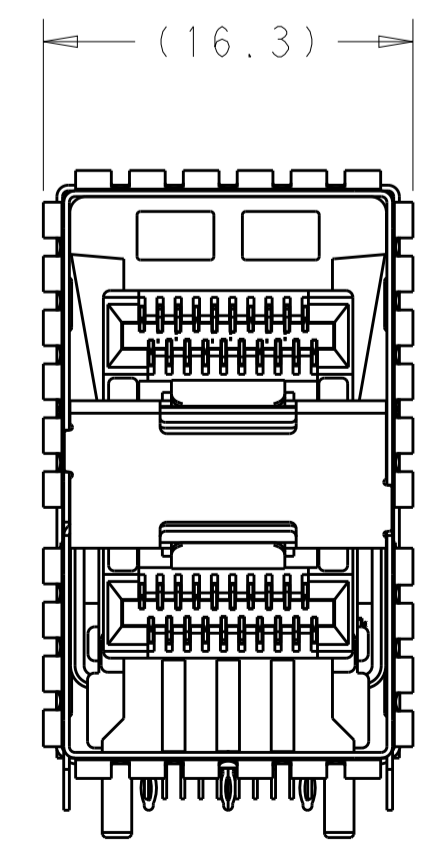
STE TE Connectivity

RECEPTACLE ASSEMBLY, 2X1, STACKED, SFP56

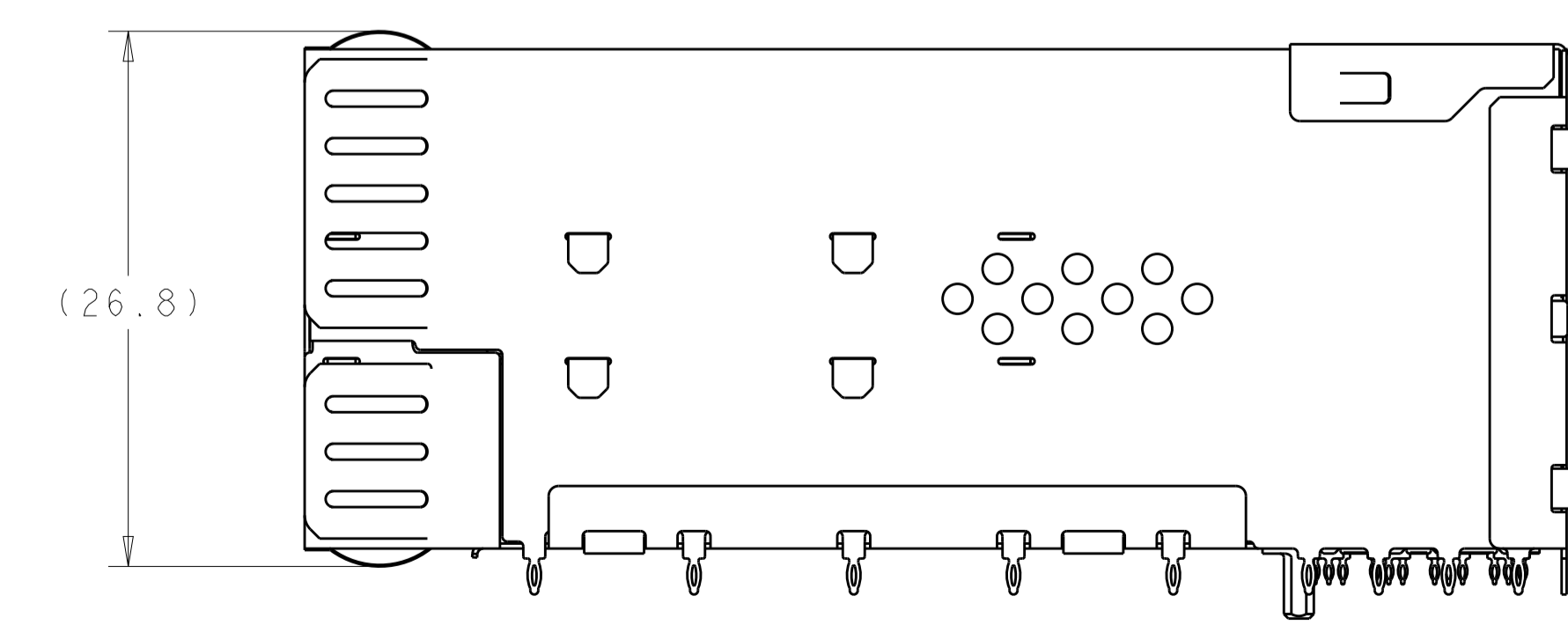
LOC	DIST	REVISIONS			
P	LTN	DESCRIPTION	DATE	DWN	APVD
GP	00	SEE SHEET 1	-	-	-



DETAIL A  
2 PLACES  
SCALE 10:1

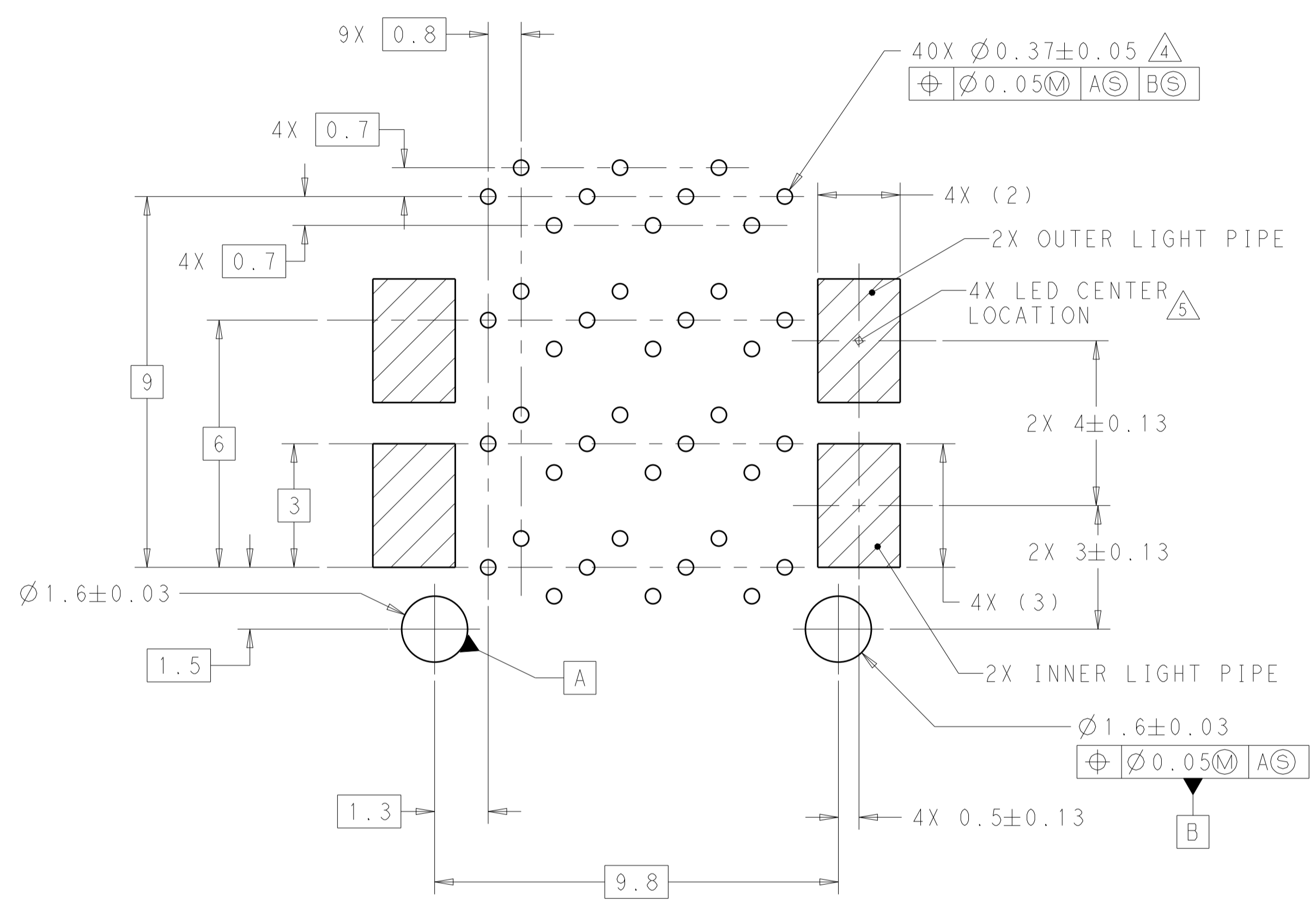
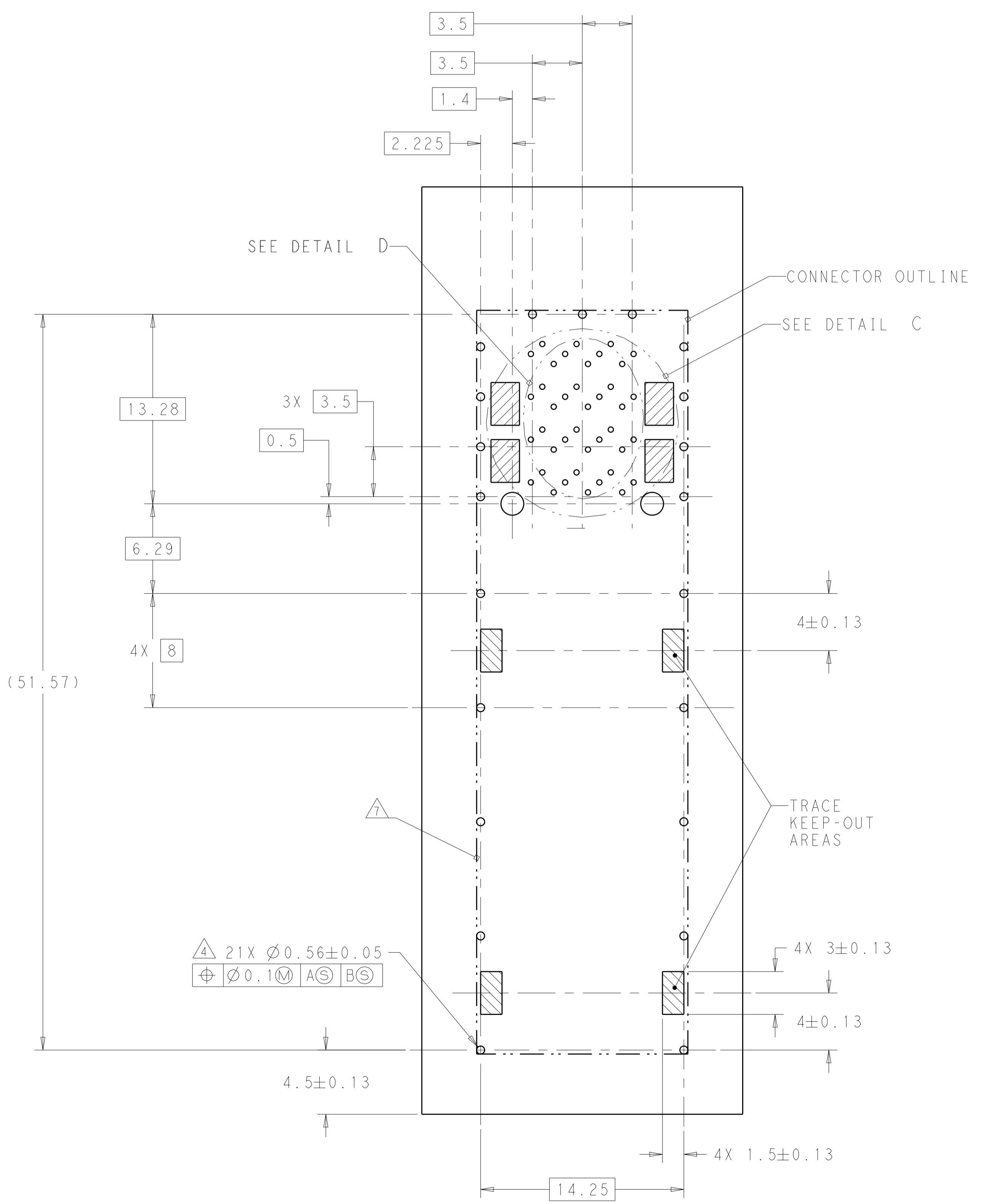


2349202-5 THRU 2349202-8, 1-2349202-9, 2-2349202-0  
EMI SPRINGS ONLY  
SCALE 3:1



THIS DRAWING IS A CONTROLLED DOCUMENT.		DWN: J. WANG 26FEB2019	TE Connectivity														
DIMENSIONS: mm		CHK: S. HAN 26FEB2019															
TOLERANCES UNLESS OTHERWISE SPECIFIED:		APVD: S. HAN 26FEB2019	NAME: RECEPTACLE ASSEMBLY, 2X1, STACKED, SFP56														
<table border="1"> <tr><td>0 PLC</td><td>±0.25</td></tr> <tr><td>1 PLC</td><td>±0.25</td></tr> <tr><td>2 PLC</td><td>±0.25</td></tr> <tr><td>3 PLC</td><td>±0.25</td></tr> <tr><td>4 PLC</td><td>±0.25</td></tr> <tr><td>ANGLES</td><td>±°</td></tr> <tr><td>FINISH</td><td>±μm</td></tr> </table>		0 PLC	±0.25	1 PLC	±0.25	2 PLC	±0.25	3 PLC	±0.25	4 PLC	±0.25	ANGLES	±°	FINISH	±μm	PRODUCT SPEC: 108-2481	SIZE: A1
0 PLC	±0.25																
1 PLC	±0.25																
2 PLC	±0.25																
3 PLC	±0.25																
4 PLC	±0.25																
ANGLES	±°																
FINISH	±μm																
MATERIAL: SEE NOTES		APPLICATION SPEC: 114-13319	CAGE CODE: 100779														
		WEIGHT: -	DRAWING NO: 2349202														
		CUSTOMER DRAWING	SCALE: 6:1 SHEET 2 OF 4 REV A														

LOC	DIST	REVISIONS			
GP	00	REV	DATE	BY	APPV
-	-	SEE SHEET 1	-	-	-



THIS DRAWING IS A CONTROLLED DOCUMENT.		DWN J. WANG 26FEB2019 CHK S. HAN 26FEB2019 APVD S. HAN 26FEB2019	TE Connectivity
DIMENSIONS: mm	TOLERANCES UNLESS OTHERWISE SPECIFIED: 0 PLC ±0.25 1 PLC ±0.25 2 PLC ±0.25 3 PLC ±0.25 4 PLC ±0.25 ANGLES ±°	NAME RECEPTACLE ASSEMBLY, 2X1, STACKED, SFP56	
MATERIAL SEE NOTES	FINISH SEE NOTES	PRODUCT SPEC 108-2481 APPLICATION SPEC 114-13319	SIZE CAGE CODE DRAWING NO A100779C=2349202
		WEIGHT CUSTOMER DRAWING	RESTRICTED TO SCALE 4:1 SHEET 3 OF 4 REV A

LOC	DIST	REVISIONS					
GP	00	P	LTH	DESCRIPTION	DATE	DWN	APVD
		-		SEE SHEET 1			

T19○ T16○ T13○  
 T20○ T17○ T14○ T11○  
 T18○ T15○ T12○

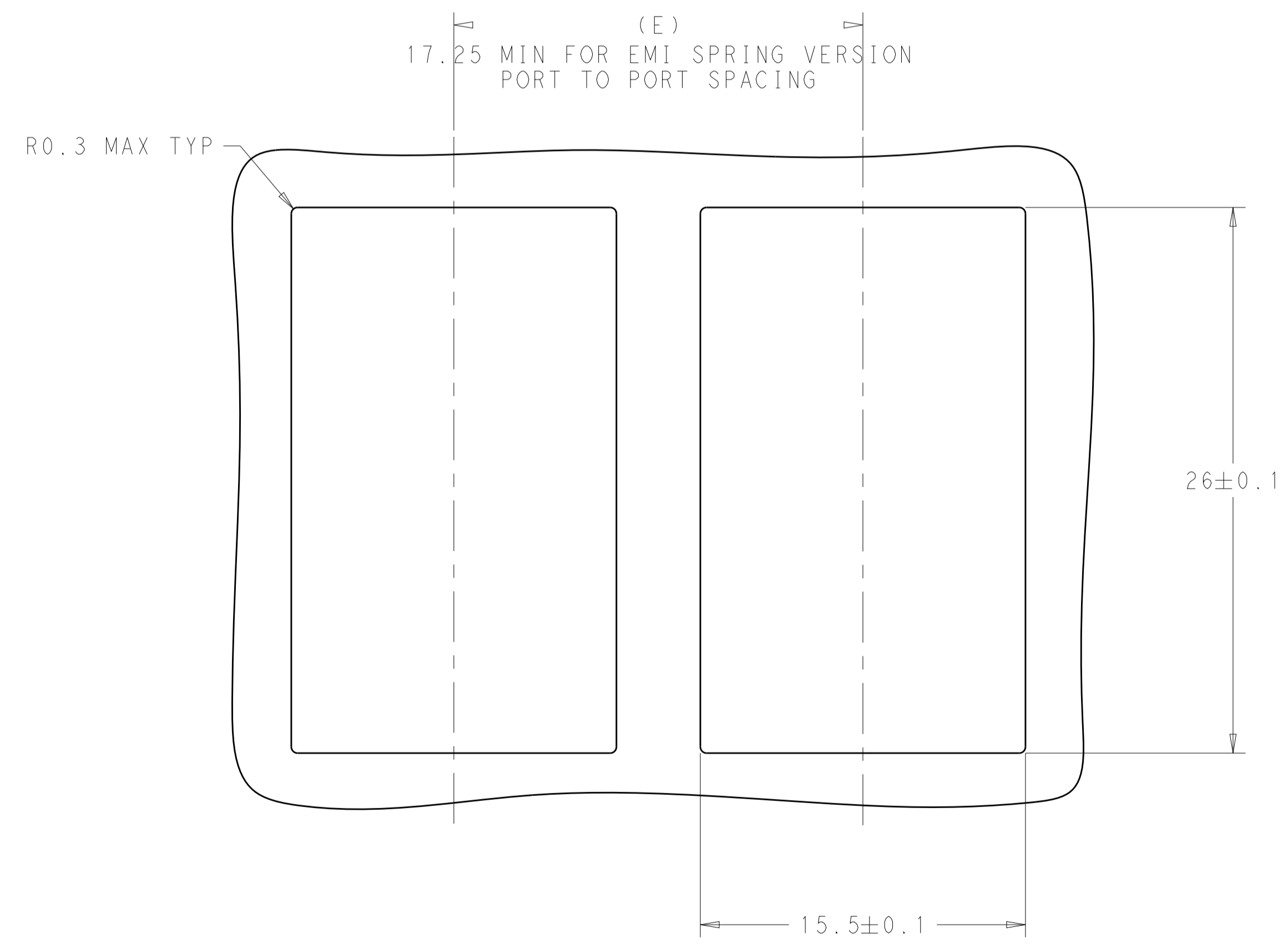
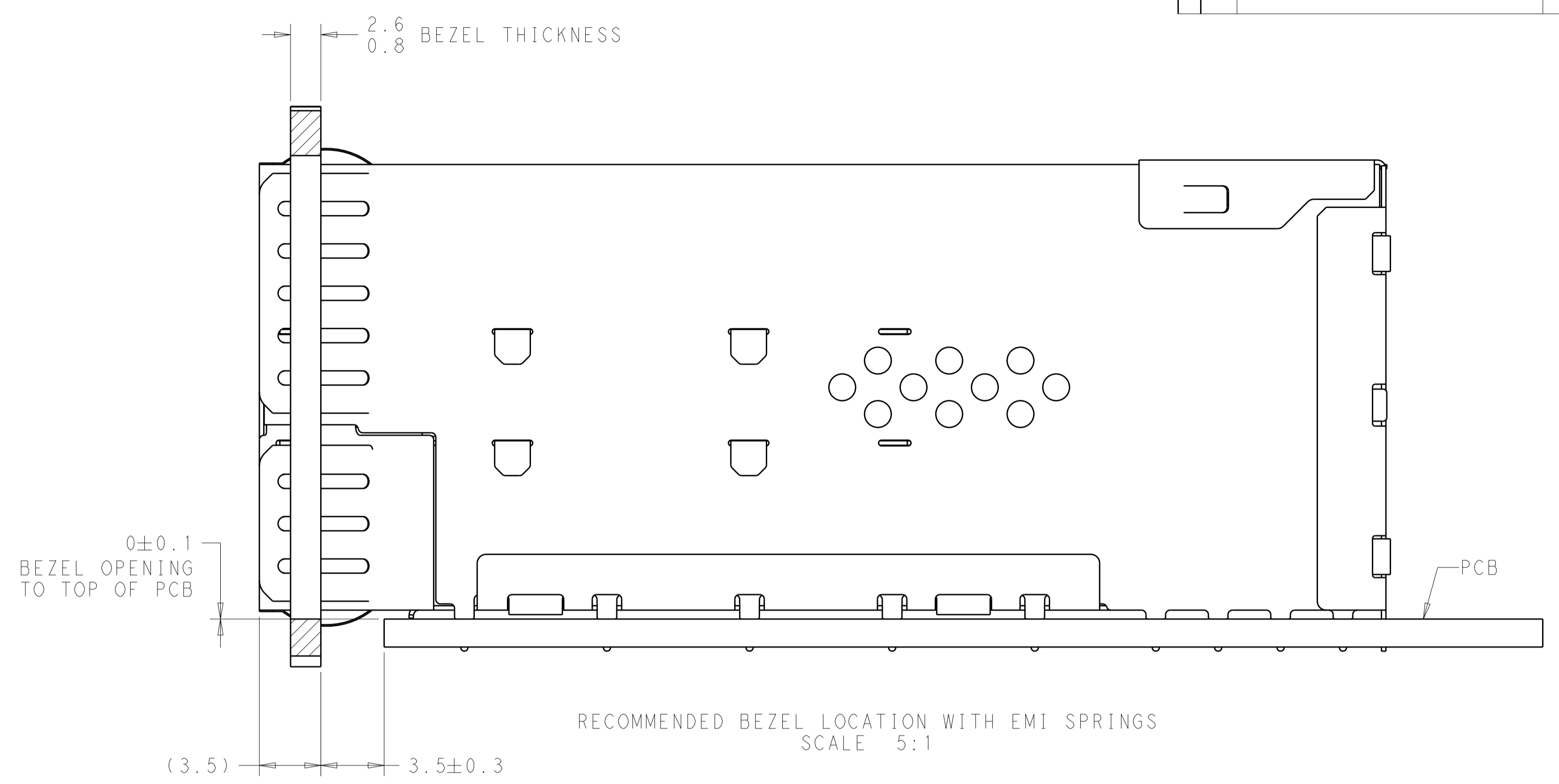
T2○ T5○ T8○  
 T1○ T4○ T7○ T10○  
 T3○ T6○ T9○

L9○ L6○ L3○  
 L10○ L7○ L4○ L1○  
 L8○ L5○ L2○

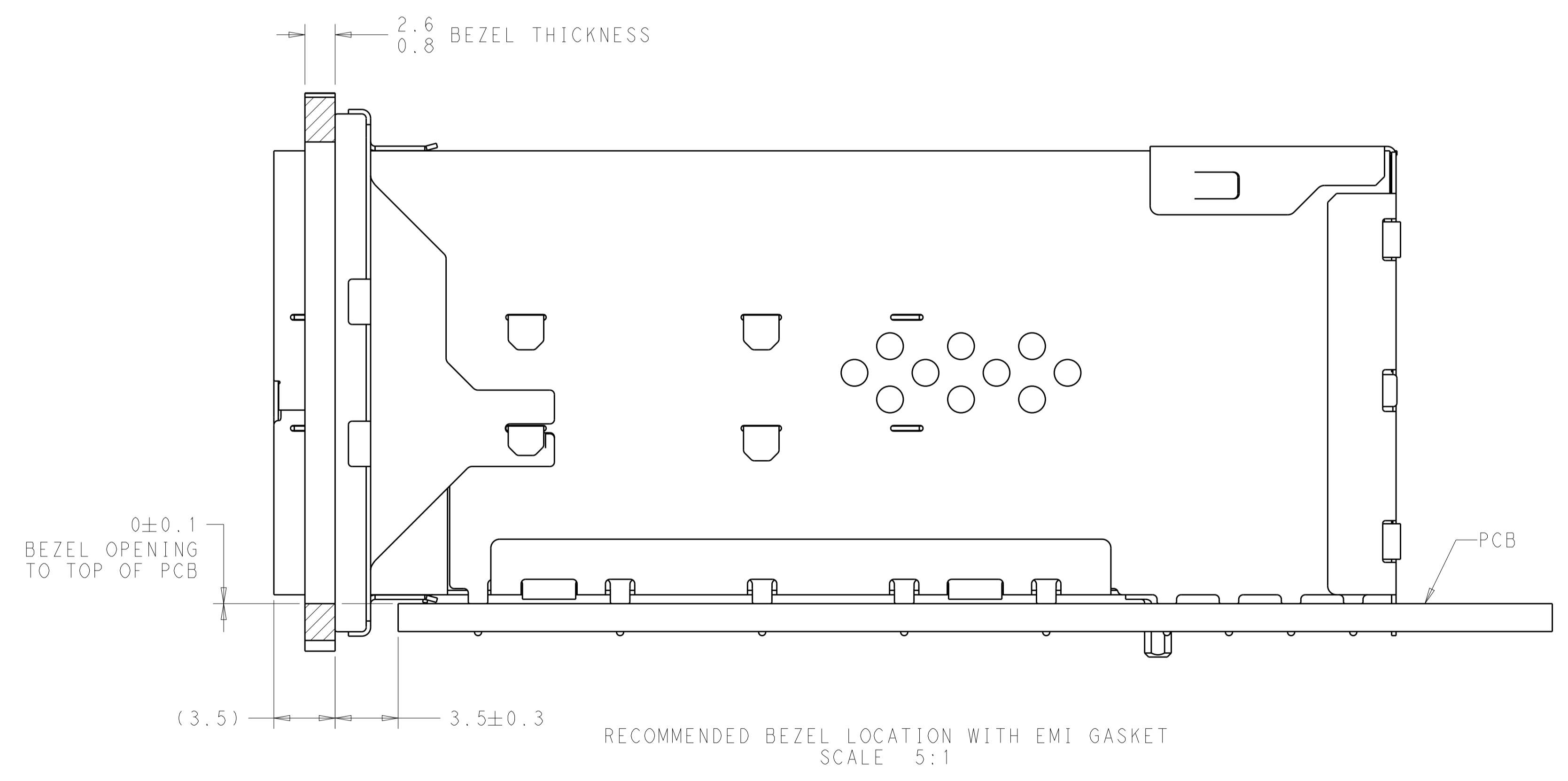
L12○ L15○ L18○  
 L11○ L14○ L17○ L20○  
 L13○ L16○ L19○

DETAIL D  
 PIN MAP  
 SCALE 15:1

PIN MAP LEGEND	
PIN NUMBER	FUNCTION
L1/T1	VEET
L2/T2	TX-FAULT
L3/T3	TX-DISABLE
L4/T4	SDA
L5/T5	SCL
L6/T6	MOD_ABS
L7/T7	RSO
L8/T8	RX_LOS
L9/T9	RS1
L10/T10	VEER
L11/T11	VEER
L12/T12	RD-
L13/T13	RD+
L14/T14	VEER
L15/T15	VCCR
L16/T16	VCCT
L17/T17	VEET
L18/T18	TD+
L19/T19	TD-
L20/T20	VEET



RECOMMENDED BEZEL CUT-OUT DETAIL  
 SCALE 5:1



THIS DRAWING IS A CONTROLLED DOCUMENT.		DWN J. WANG 26FEB2019	TE Connectivity
DIMENSIONS: mm		CHK S. HAN 26FEB2019	
TOLERANCES UNLESS OTHERWISE SPECIFIED:		APVD S. HAN 26FEB2019	NAME RECEPTACLE ASSEMBLY, 2X1, STACKED, SFP56
0 PLC ±0.25 1 PLC ±0.25 2 PLC ±0.25 3 PLC ±0.25 4 PLC ±0.25 ANGLES ±°		PRODUCT SPEC 108-2481	SIZE 114-13319
MATERIAL SEE NOTES		FINISH SEE NOTES	RESTRICTED TO A100779C=2349202
CUSTOMER DRAWING		SCALE 4:1	SHEET 4 OF 4 REV A