

# Heat sink

Heat sink is prepared in TUNS50 series, CQHS series, DHS50 series and DHS100 series.

Chart: List of Heat sink for TUNS50 series, CQHS series, DHS50 series and DHS100 series

No	Model	Size [mm]			Thermal resistance [°C/W]		Style
		H	W	D	Convection (0.1m/s)	Forced Air	
1	F-QB-F1	12.7	58.4	37.6	14.0	Refer Fig.7	Horizontal
2	F-QB-F2	12.7	58.7	37.3			Vertical
3	F-QB-F3	25.4	58.4	37.6	7.5		Horizontal
4	F-QB-F4	25.4	58.7	37.3			Vertical
5	F-QB-F5	38.1	58.4	37.6	5.0		Horizontal
6	F-QB-F6	38.1	58.7	37.3			Vertical

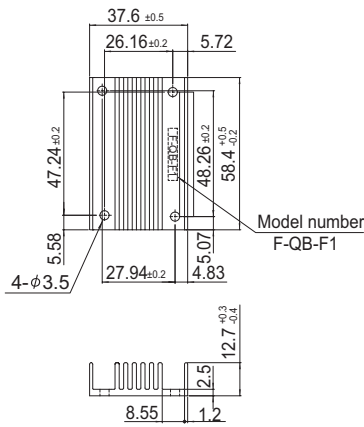


Fig.1 F-QB-F1 external view

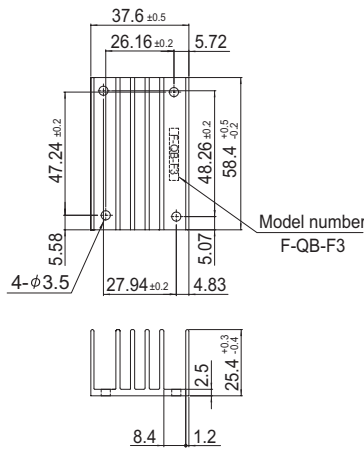


Fig.2 F-QB-F3 external view

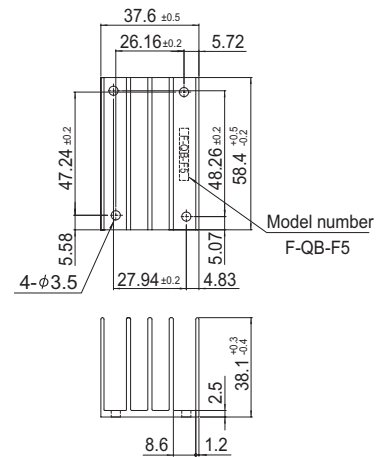


Fig.3 F-QB-F5 external view

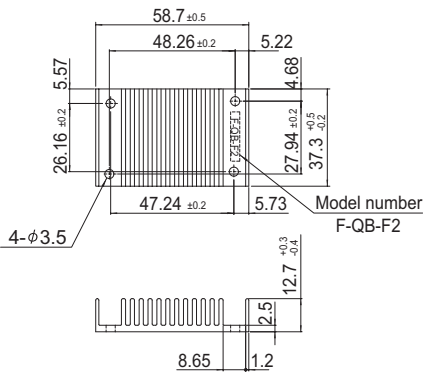


Fig.4 F-QB-F2 external view

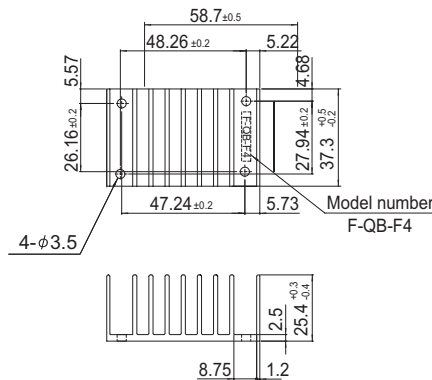


Fig.5 F-QB-F4 external view

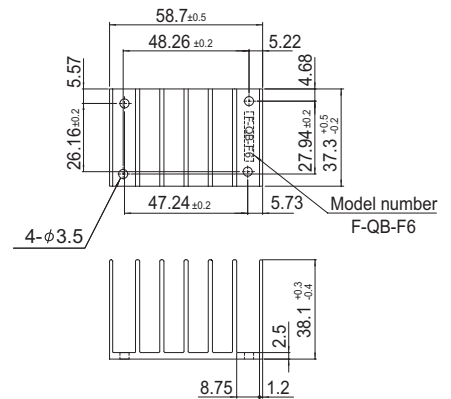


Fig.6 F-QB-F6 external view

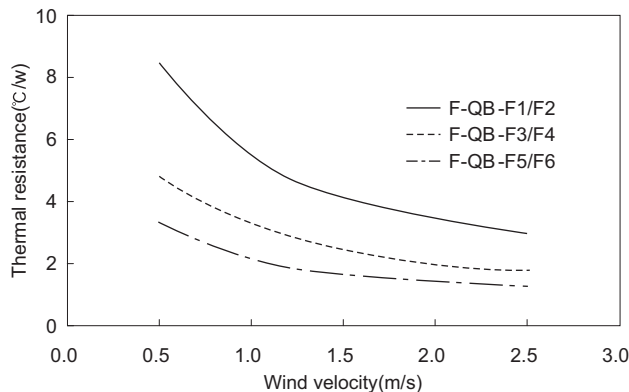


Fig.7 Thermal resistance of heat sink(Forced air)

# Mouser Electronics

Authorized Distributor

Click to View Pricing, Inventory, Delivery & Lifecycle Information:

Cosel:

[F-QB-F4](#) [F-QB-F5](#) [F-QB-F6](#) [F-QB-F1](#) [F-QB-F2](#) [F-QB-F3](#)