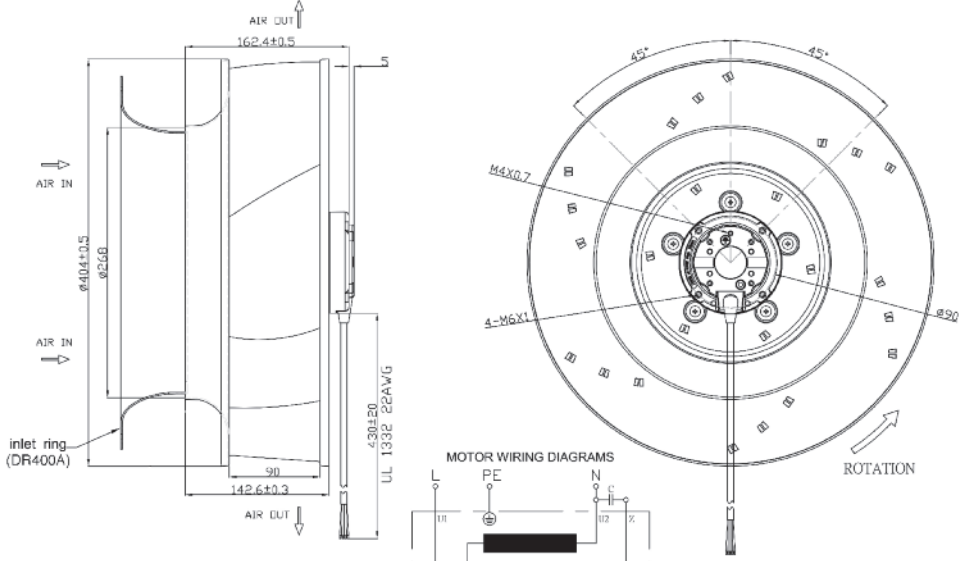
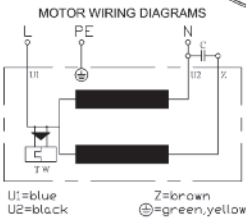
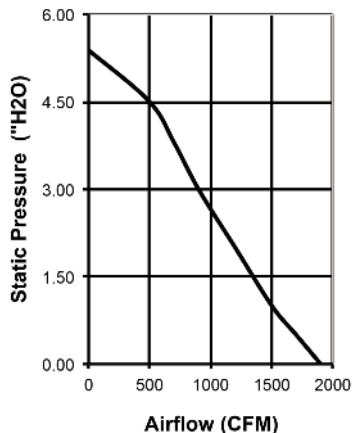


Duct Ring: DR400A (optional)



Weight: 12 lbs.

Model Number	OAB400-22-1
Part Number	241611002
Nominal Voltage	230 VAC (50 Hz)
Nominal Current	1.26 A (1.7 A locked) (50 Hz)
Rated Power	287 W
Rated Speed (RPM)	1250
Airflow (CFM)	1900
Noise Level (dB)	73
Max. Static Pressure	5.4" H ₂ O
Bearing System	Sealed Dual Ball

Frame	Diecast Aluminum
Impeller	Metal
Connection	4x Leads UL1332, 22AWG
Motor	Capacitor run induction and external rotor design Thermal protection. Capacitor included (8uF/450V) IP55 rated
Bearing System	Dual ball bearing
Insulation Resistance	>100M ohm between leadwire and frame (500VDC) Class B
Dielectric Strength	1500VAC for 1 minute
Temperature Range	-40C ~ +50C
Life (L10)	40,000 hrs (L10, 40C)