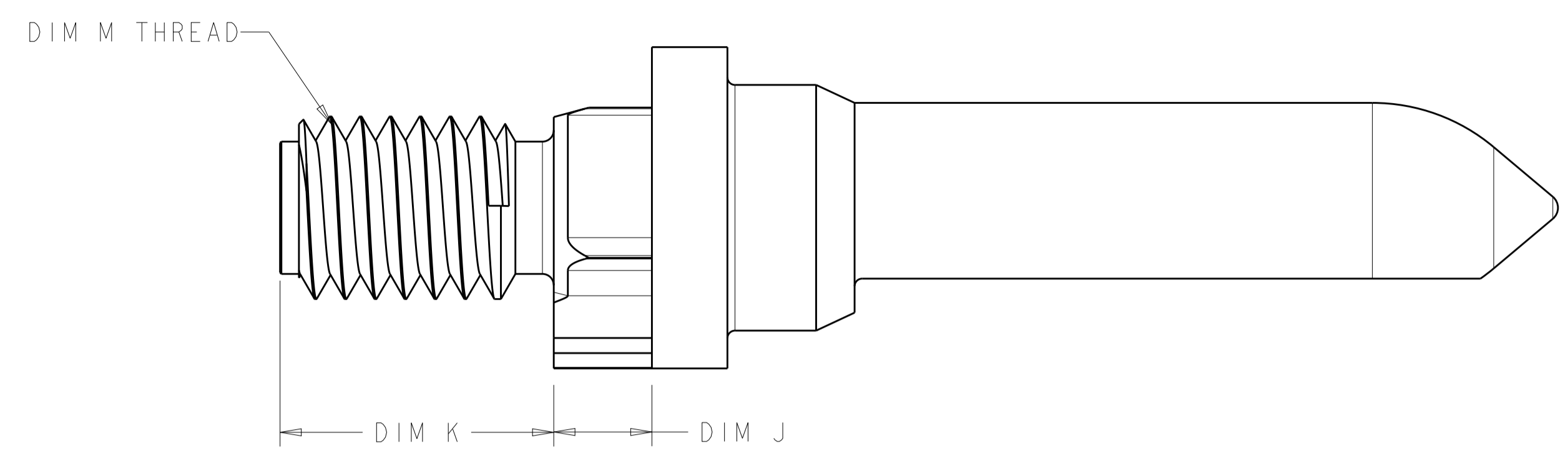
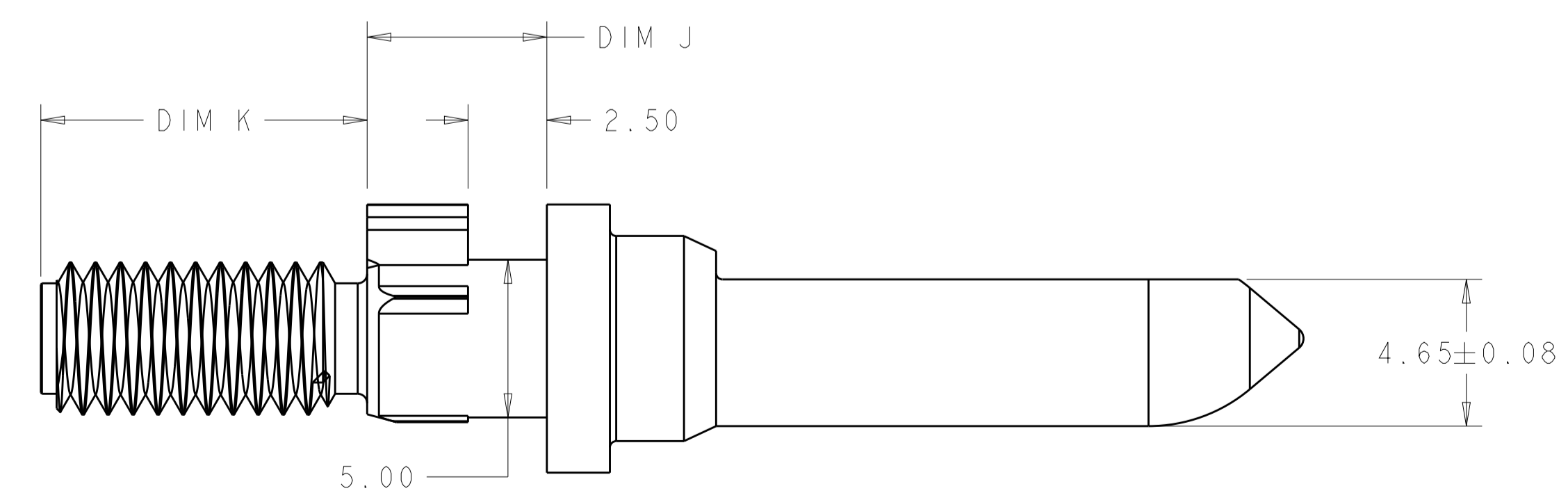
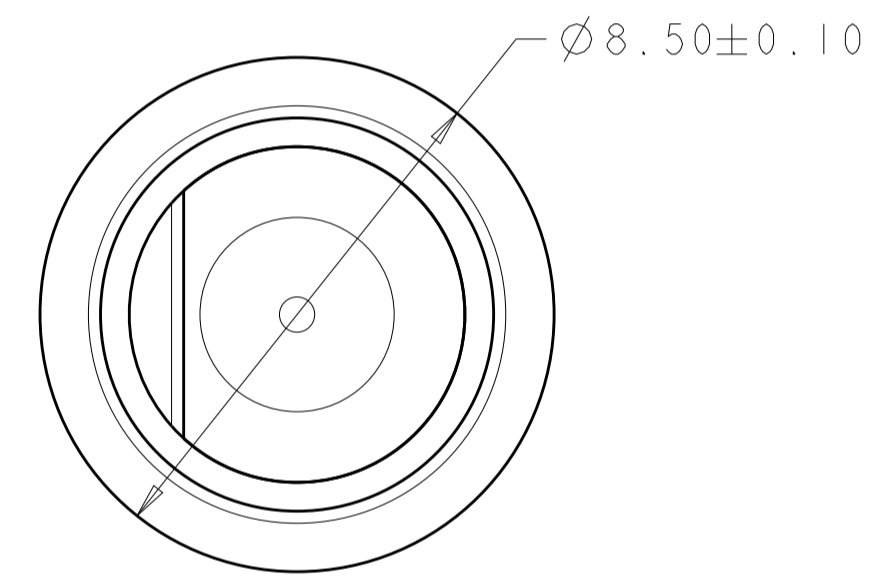
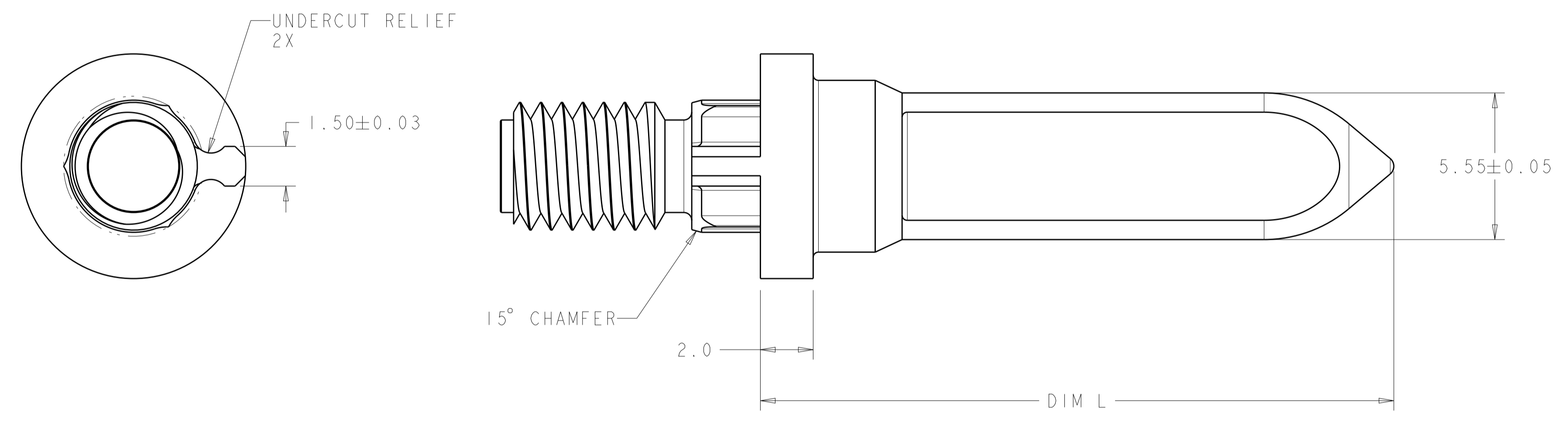


REVISONS		DATE	DWN	APVD
P	LTM			
L	REV PER ECO 16-007764	6-23-16	CT	DH



- 1 MATERIAL: STAINLESS STEEL (303)
- 2 FINISH: PASSIVATED
- 3 KEY HOLE ORIENTATION (DIM A) PER MATING GUIDE MODULE PART NUMBER TABLE (ORIENTATION SHOWN ON PCB LAYOUT IS FOR 1-2000677-2 OR 2000713-2)
- 4 ANNULAR RING PLATED AROUND GUIDE PIN MOUNTING HOLE ON TOP AND BOTTOM SIDE OF BOARD



2000676-6 ONLY
 SCALE 6:1

10-32 UNF	19	7.25	5.70	1-2000676-3
10-32 UNF	19	7.25	4.20	1-2000676-2
10-32 UNF	19	7.25	1.32	1-2000676-0
M5X.8-6g	24	6.30	2.40	2000676-9
M5X.8-6g	19	9.00	3.40	2000676-8
M5X.8-6g	24	9.00	3.40	2000676-7
10-32 UNF	24	10.35	5.70	2000676-6
10-32 UNF	24	7.25	7.30	2000676-5
10-32 UNF	24	7.25	5.70	2000676-4
10-32 UNF	24	7.25	4.20	2000676-3
10-32 UNF	24	7.25	2.60	2000676-2
10-32 UNF	24	7.25	1.32	2000676-1
DIM M THREAD	DIM L	DIM K	DIM J	PART NUMBER

THIS DRAWING IS A CONTROLLED DOCUMENT. DWN: McALONIS, M. 10JAN08
 CHY: McALONIS, M. 10JAN08
 APVD: McALONIS, M. 10JAN08

DIMENSIONS: mm
 TOLERANCES UNLESS OTHERWISE SPECIFIED:
 0 PLC ±.5
 1 PLC ±0.5
 2 PLC ±0.13
 3 PLC ±0.013
 4 PLC ±.
 ANGLES ±.
 FINISH ±.

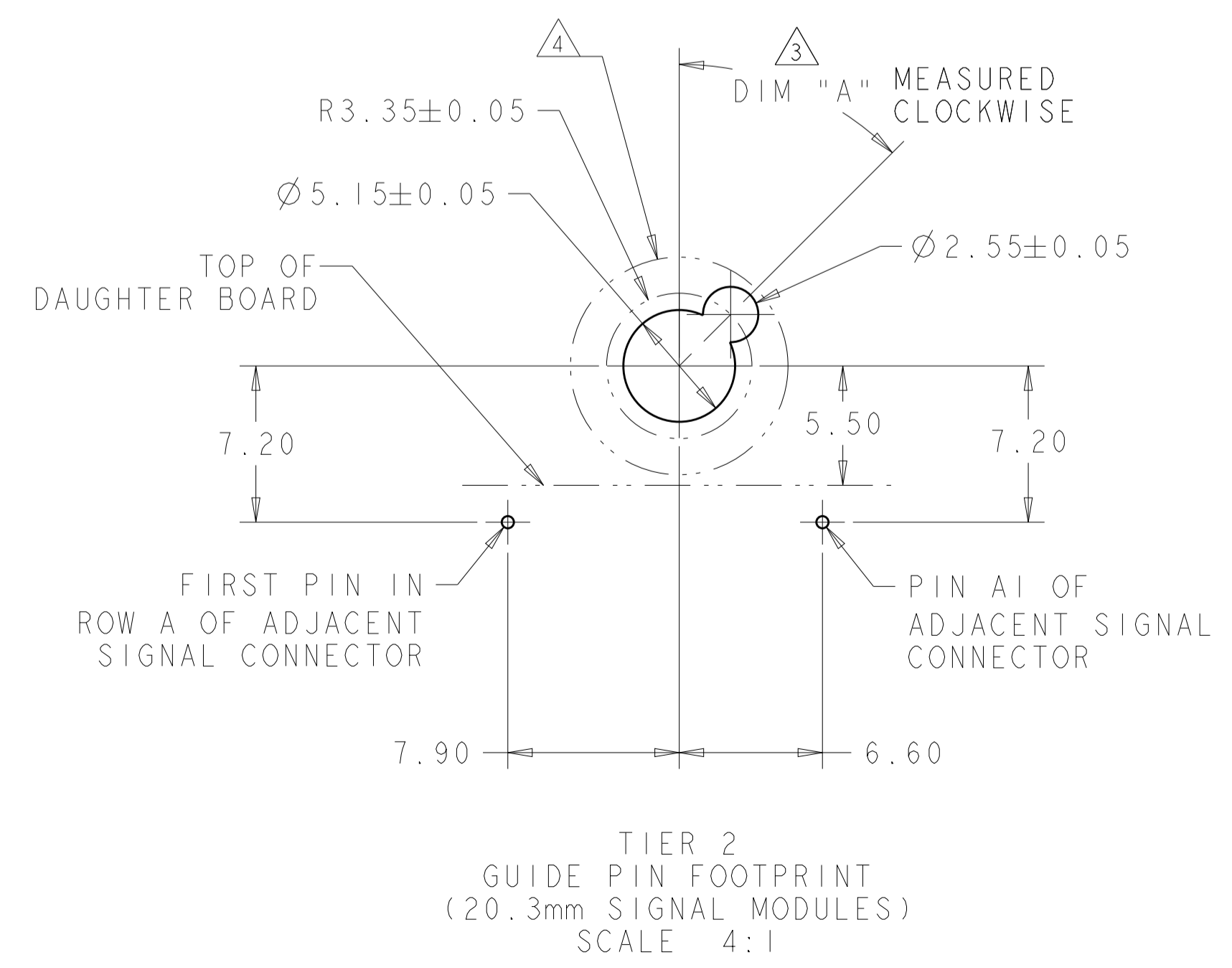
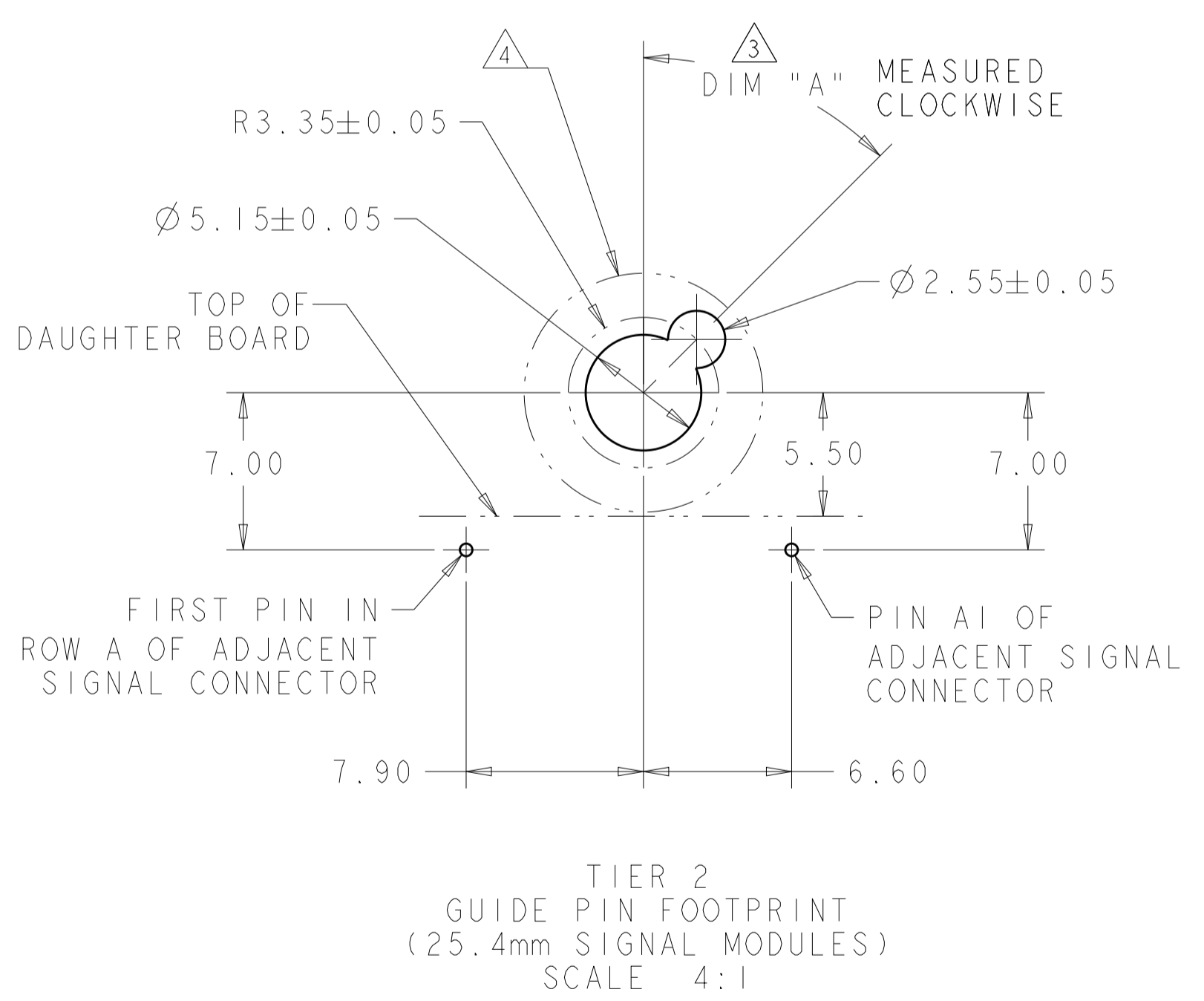
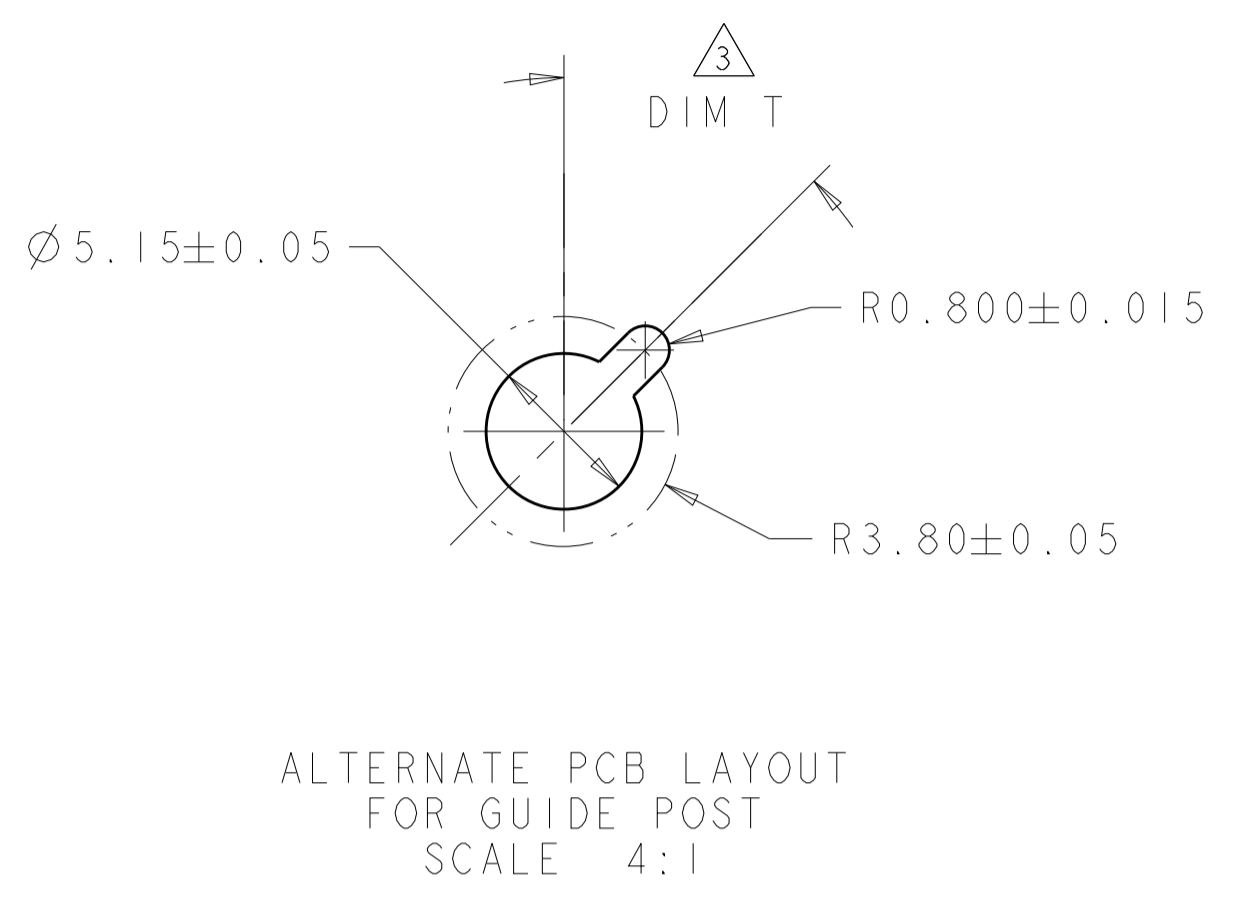
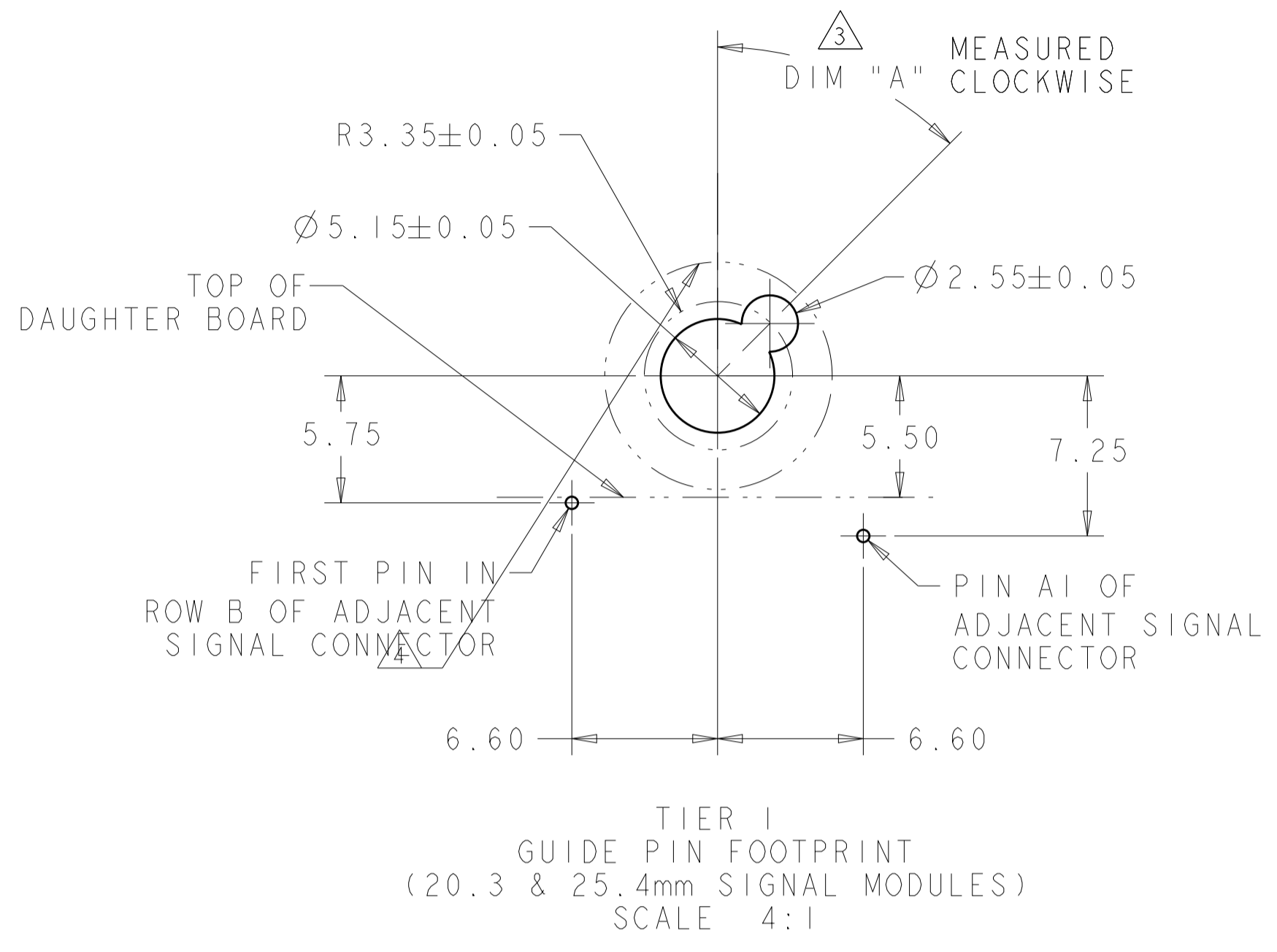
MATERIAL: 303
 FINISH: PASSIVATED

PRODUCT SPEC: 108-2072
 APPLICATION SPEC: 114-13056
 WEIGHT: .

SIZE: A1
 CAGE CODE: 100779
 DRAWING NO: 2000676
 RESTRICTED TO: L

CUSTOMER DRAWING SCALE 8:1 SHEET 1 OF 2 REV L

LOC		DIST		REVISIONS			
P	LTN	DESCRIPTION	DATE	DMN	APVD		
-	-	SEE SHEET 1	-	-	-	-	-



W/O ESD SPRING	NO KEY	2-2000677-9
W/O ESD SPRING	315°	2-2000677-8
W/O ESD SPRING	270°	2-2000677-7
W/O ESD SPRING	90°	2-2000677-3
W/O ESD SPRING	45°	2-2000677-2
W/O ESD SPRING	0°	2-2000677-1
W/O ESD SPRING	0°	2-2000677-0
W/O ESD SPRING	NO KEY	1-2000677-9
W/O ESD SPRING	315°	1-2000677-8
W/O ESD SPRING	270°	1-2000677-7
W/O ESD SPRING	90°	1-2000677-3
W/O ESD SPRING	45°	1-2000677-2
W/ESD SPRING	NO KEY	2000713-6
W/ESD SPRING	315°	2000713-5
W/ESD SPRING	270°	2000713-4
W/ESD SPRING	90°	2000713-3
W/ESD SPRING	45°	2000713-2
W/ESD SPRING	0°	2000713-1
ESD SPRING	DIM T	20.3mm GUIDE MODULE

MATING GUIDE MODULE $\triangle 3$

THIS DRAWING IS A CONTROLLED DOCUMENT. DMN: McALONIS, M. 10JAN08
 CHK: McALONIS, M. 10JAN08
 APVD: McALONIS, M. 10JAN08

TE Connectivity

NAME: KEYSIDE GUIDE PIN, MACHINED BACKPLANE CONNECTOR, MULTIGIG, THREADED POST

PRODUCT SPEC: 108-2072
 APPLICATION SPEC: 114-13056

SIZE: A1
 CAGE CODE: 100779
 DRAWING NO: 2000676

MATERIAL: -
 FINISH: -
 WEIGHT: -
 CUSTOMER DRAWING

RESTRICTED TO: -
 SCALE: 1:1
 SHEET: 2 OF 2
 REV: L