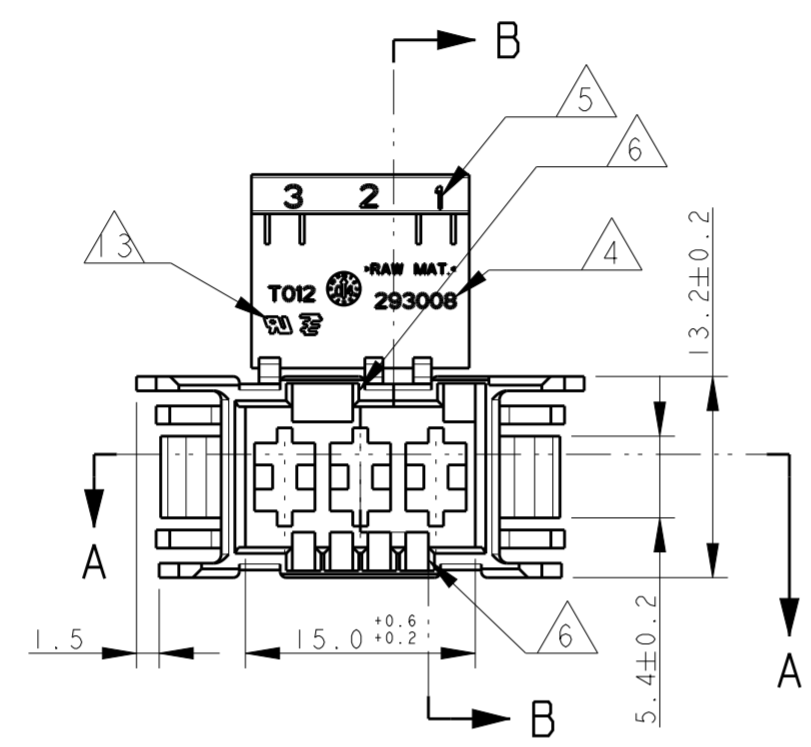
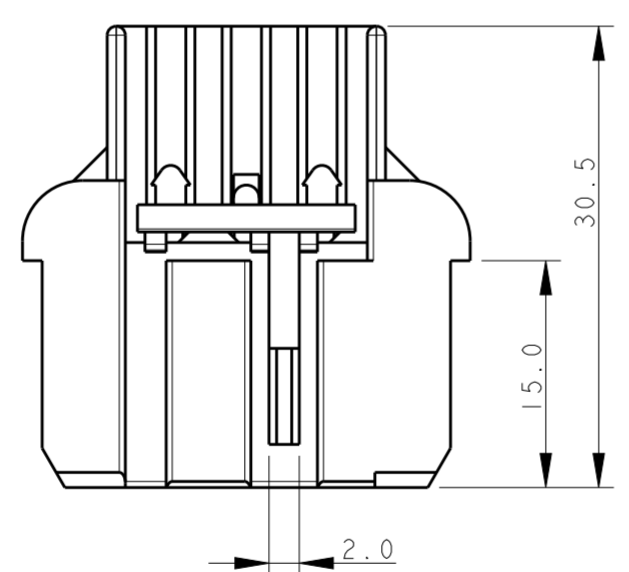
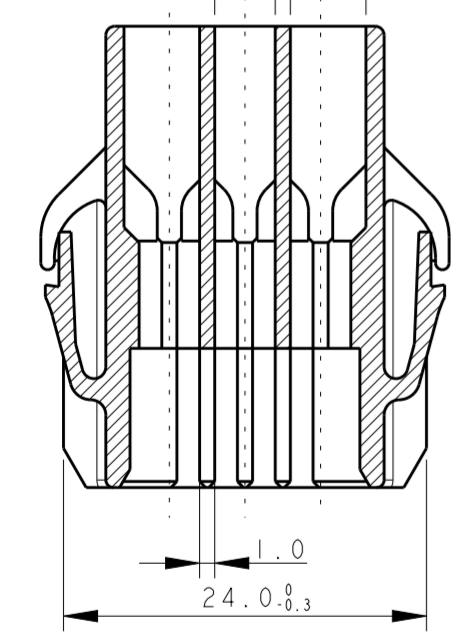
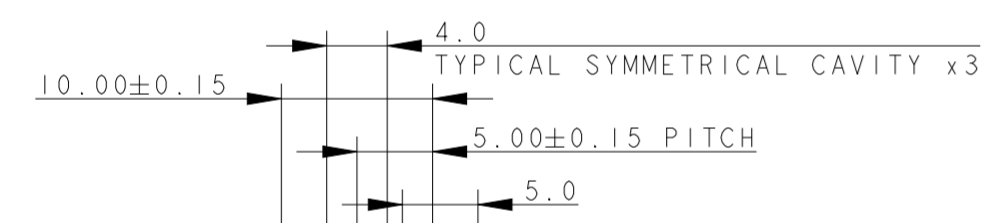


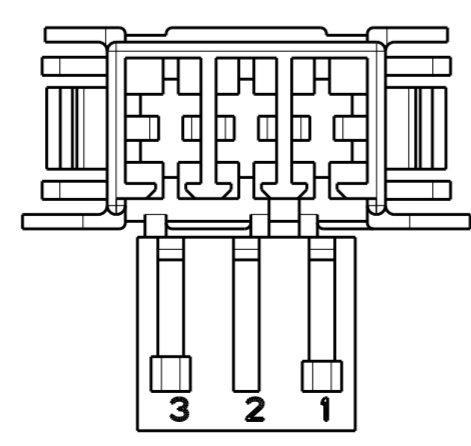
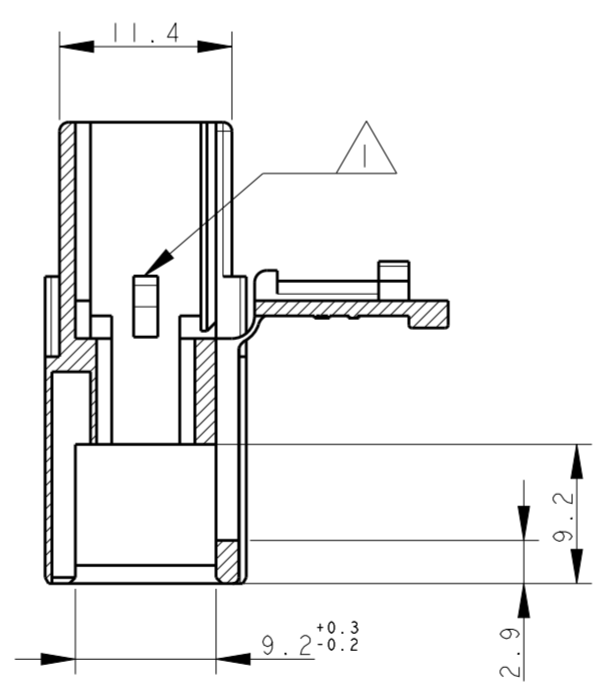
SCALE 1:1



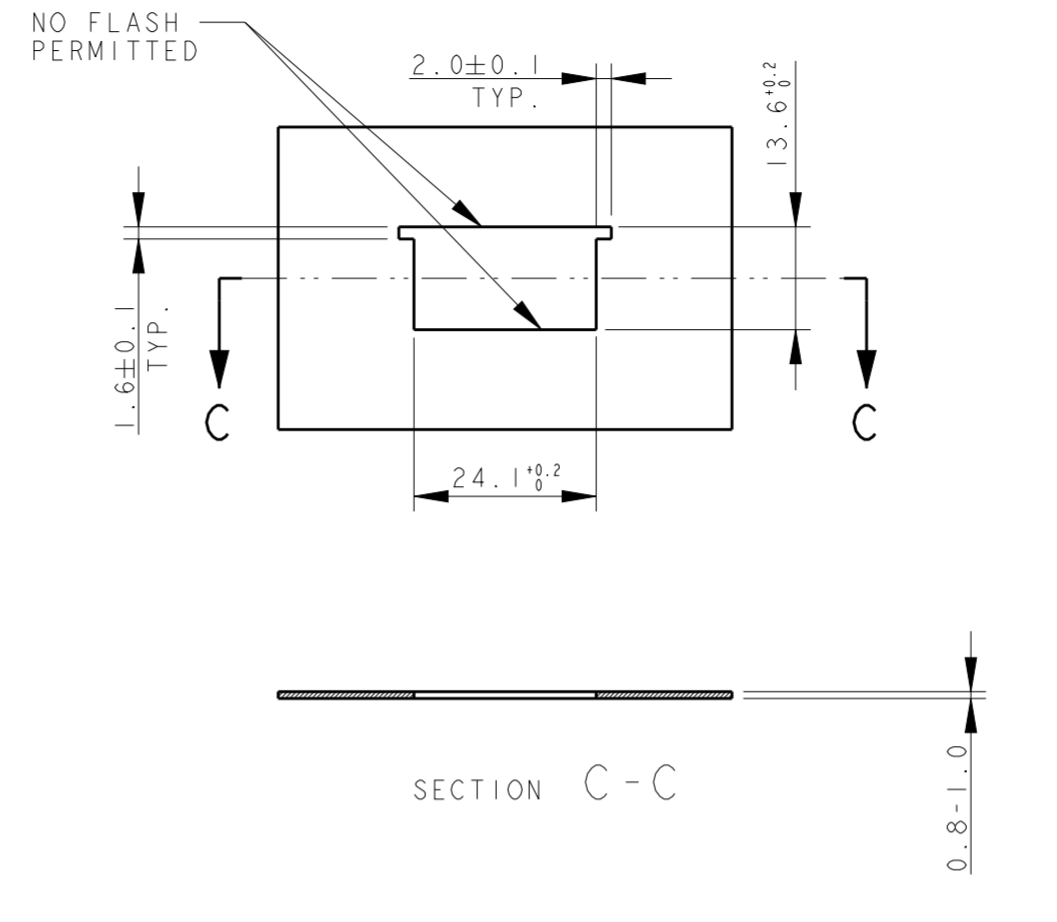
SECTION A-A



SECTION B-B



PANEL MOUNT DIMENSIONS SCALE 1:1



SECTION C-C

REVISIONS				
P	LTR	DESCRIPTION	DATE	APVD
	C	ECR-17-015100	25OCT2017	KD RR
	C1	ECR-17-015894	31OCT2017	KD RR
	C2	ECR-18-003302	06MAR2018	KD RR
	D	ECR-18-007762	26JUN2018	KD FL

- 1) TYPICAL CAVITY SUITABLE FOR:
 FASTIN-FASTON TAB CONTACTS 6.3 mm SRS:
 P/N: 60294, 0.3-0.8 mm² WIRE RANGE
 160691, 0.3-0.8 mm² WIRE RANGE
 AMPLIVAR CONTACTS:
 P/N: 141051, 0.1-0.5 mm² WIRE RANGE
 142411, 0.3-1.6 mm² WIRE RANGE
 MAX. INSULATION DIA. 2.8 mm,
 MAX. INSULATION CRIMP WIDTH 3.3 mm.
- 2) PA6 UNFILLED, UL 94-V2, NATURE COLOUR
 ACCORDING TO IEC 60335-1 NORM. EDITION 4
- 3) PA66 UNFILLED, UL 94-V2, NATURAL COLOUR
- 4) TRADEMARK "LOGO" AND
 TYCO ELECTRONICS "PART NUMBER"
 OPTIONAL POSITION.
- 5) CIRCUIT IDENTIFICATION NUMBERS, 1 TO 3
- 6) POLARIZATION KEYS DIMENTIONS AND POSITIONS
 ARE ACCORDING TO "RAST 5" NORM
 RAST CODE 03-A & 03-1.
- 7) PA66 UNFILLED, UL 94-V0, NATURAL COLOUR
- 8) PA66 UNFILLED, UL 94-V0 GWT, NATURAL COLOUR
- 9) PRELIMINARY - NOT RELEASED FOR PRODUCTION
- 10) PA66 UNFILLED, UL94-V0 GWT, NATURAL COLOUR
- 11) -
- 12) PA66 UNFILLED, UL94-V0 GWT, BLUE COLOR
- 13) ONLY FOR 293008-3, ADD UL LOGO
- 14) ADD GREEN COLOR MARKING

COLOUR	MATERIAL	TE P/N
BLUE	SEE NOTE 12	3-293008-1
NATURAL	SEE NOTE 10	2-293008-2
NATURAL	SEE NOTE 10	2-293008-1
NATURAL	SEE NOTE 2	1-293008-2
NATURAL	SEE NOTE 2	1-293008-1
NATURAL	SEE NOTE 10	293008-6
NATURAL	SEE NOTE 8	293008-5
NATURAL	SEE NOTE 7	293008-3
NATURAL	SEE NOTE 3	293008-2
NATURAL	SEE NOTE 2	293008-1

THIS DRAWING IS A CONTROLLED DOCUMENT.

DWN: H. YAALI 27 FEB 2004
 CHK: C. TARTARI
 APVD: -

PRODUCT SPEC: 108-20256
 APPLICATION SPEC: -
 WEIGHT: -

MATERIAL: SEE TABLE
 FINISH: SEE TABLE

NAME: 3 POS. FASTIN-FASTON Connector
 TAB HOUSING, RAST 5
 0.8-1.0 MM THK. PANEL MOUNT

SIZE: A2
 CAGE CODE: -
 DRAWING NO: C-293008

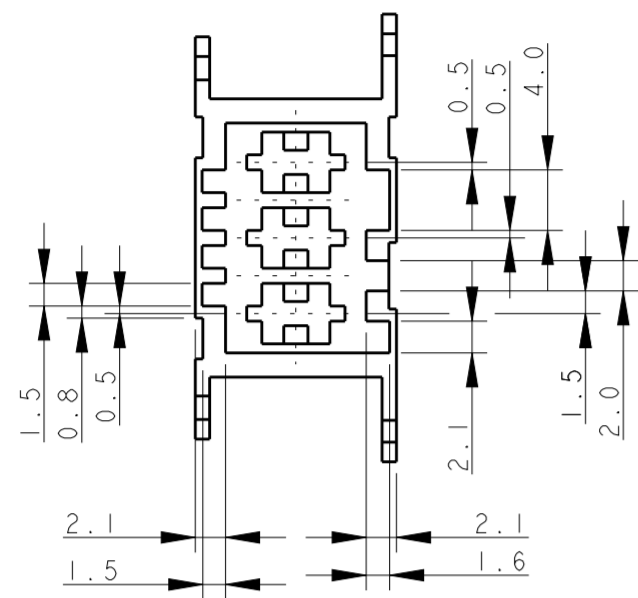
RESTRICTED TO: -

CUSTOMER DRAWING SCALE: 5:1 SHEET: 1 OF 2 REV: D

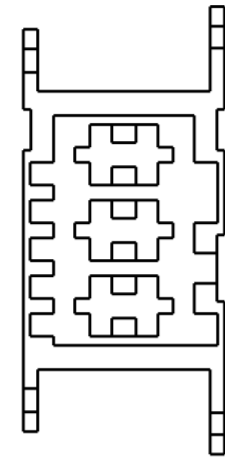
THIS DRAWING IS UNPUBLISHED. RELEASED FOR PUBLICATION 2003
 © COPYRIGHT 2003 BY - ALL RIGHTS RESERVED.

REVISIONS				
P	LTR	DESCRIPTION	DATE	APVD
-	-	SEE SHEET 1	-	-

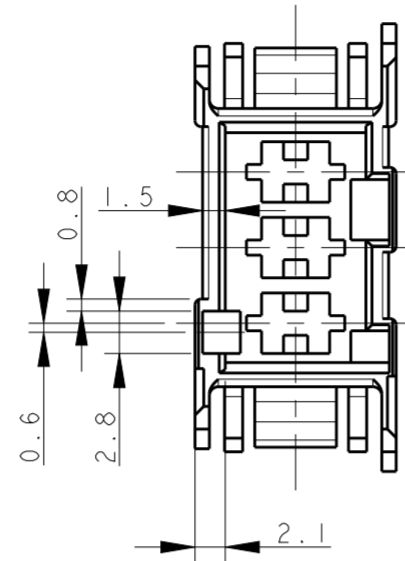
POLARIZATION SCHEME



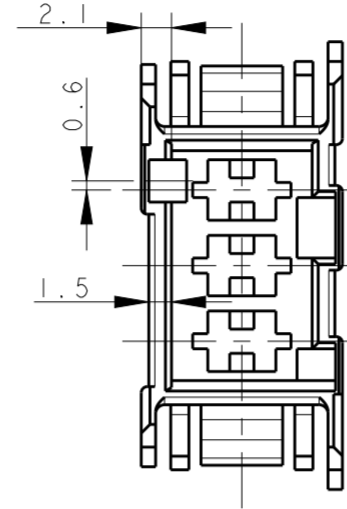
293008-X



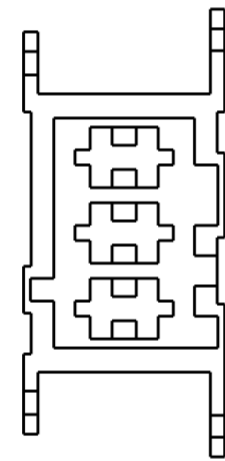
1-293008-X




2-293008-1



2-293008-2



3-293008-1

THIS DRAWING IS A CONTROLLED DOCUMENT.		DWN H. YAALI 27 FEB 2004	 TE Connectivity	
DIMENSIONS: mm		CHK C. TARTARI		
TOLERANCES UNLESS OTHERWISE SPECIFIED:		APVD -	PRODUCT SPEC 108-20256	RESTRICTED TO -
0 PLC ± 1 PLC ±0.3 2 PLC ± 3 PLC ± 4 PLC ± ANGLES ±1°		APPLICATION SPEC -	SIZE A2	CAGE CODE -
MATERIAL SEE TABLE		FINISH SEE TABLE	DRAWING NO. C-293008	SCALE 2:1
-		WEIGHT -	CUSTOMER DRAWING	SHEET 2 OF 2
-		REV D		