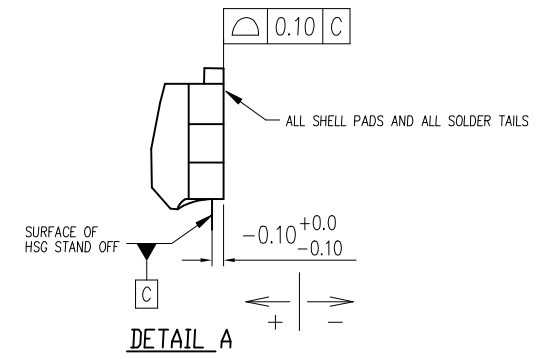
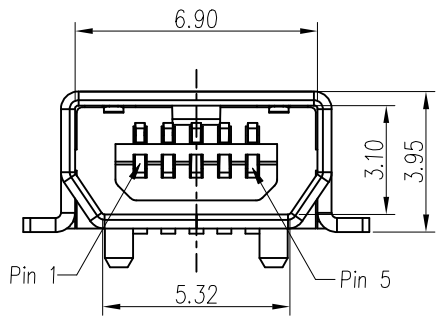
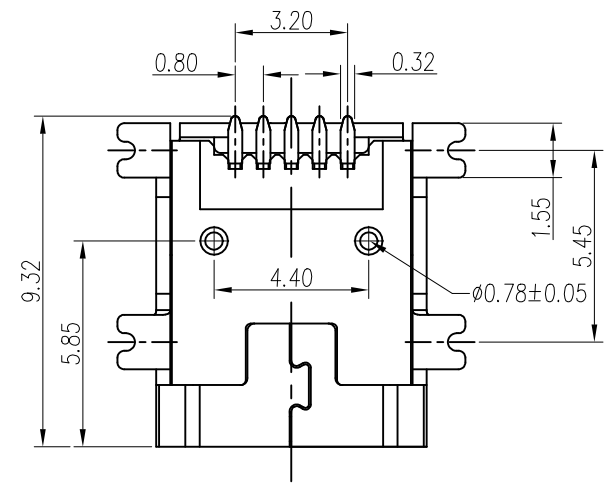
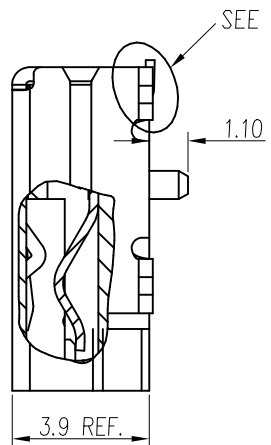
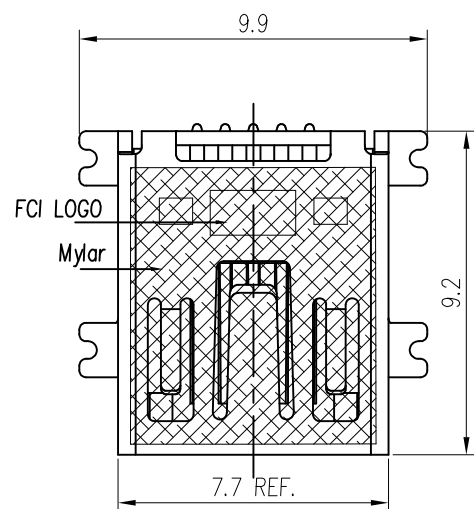


AFCI CONFIDENTIAL



mat'l. code		surface	tolerance	projection	product family
		ISO 1302	ISO 406 ISO 1101	ISO 1101	USB 3.0
ltr	ecn no	dr	date	tolerances unless otherwise specified	title
F	T06-0074	A.C	04/10/2006	angles	MINI USB AB TYPE RECEPTACLE COONECTOR, R/A SMT TYPE
G	T06-0201	A.C	12/14/2006	linear	
H	T09-1090	J.H	06/22/2009	$0 \pm 2'$	scale 1:1
J	T10-0095	J.H	12/27/2010	dr	JASMINE CHAING 9/09/03
K	T-004677	J.H	07/27/2011	eng	ALLEN CHANG 6/16/08
L	ELX-N-007323	A.ZH	10/25/2011	chr	ROGER LIN 6/16/08
M	ELX-N-32375	YY	01/08/2019	app	JAMES HSU 6/16/08
sheet	revision	M			
index	sheet	1/2			

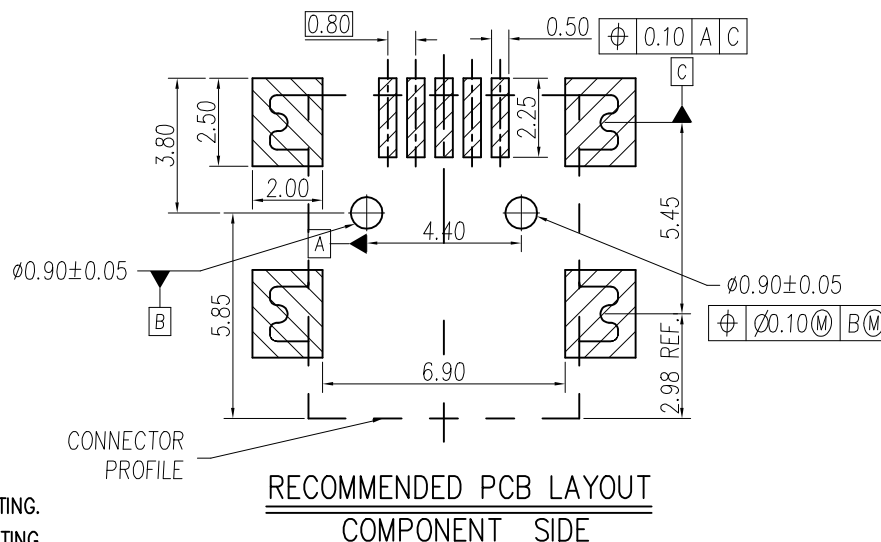
This document is the property of and embodies CONFIDENTIAL and PROPRIETARY information of AFCI. No part of the information shown on this document may be used in any way or disclosed to others without the written consent of AFCI.

AFCI CONFIDENTIAL

PROD NO  
SEE NOTES

NOTES:

- 1.MATERIAL:  
HOUSING: HIGH TEMP THERMOPLASTIC, GLASS FIBER FILLED.  
UL 94V-0 RATED, COLOR IN BLACK.  
CONTACT: COPPER ALLOY.  
SHELL: COPPER ALLOY.
- 2.FINISH:  
CONTACT: UNDERPLATED 50u" MIN. NICKEL OVER ALL  
100u" MIN. MATTE TIN PLATED IN SOLDERING AREA FOR LEAD FREE VERSION.  
SELECTIVE GOLD PLATED IN CONTACT AREA.  
SHIELD: N: NICKEL 40u"~120u" PLATED OVERALL.  
T: SELECTIVE 60u" MIN. MATTE TIN ON LEGS OVER 40u"~120u" NICKEL.
3. 10033527-X3212XLF: THE HOUSING WILL WITHSTAND EXPOSURE TO 260° PEAK TEMPERATURE FOR 10 SECONDS IN A IR REFLOW APPLICATION. AND THIS PRODCUT MEETS EUROPEAN UNION DIRECTIVES AND OTHER COUNTRY REGULATIONS AS DESCRIBED IN GS-22-008.
4. PRODUCT SPEC: GS-12-174; PACKAGE SPEC: GS-14-873
5. PART NUMBER 10033527N3112LF TO BE EQUAL TO 10033527-T3112LF WITH Ni+Sn PLATING. PART NUMBER 10033527N3212LF TO BE EQUAL TO 10033527-T3212LF WITH Ni+Sn PLATING.
6. PRODUCT ORDERING DATA :



10033527 - X X X X X M LF

SEE NOTE 5 FOR THE SPECIFIC P/N ASSIGNMENT FOR SPECIFIC CUSTOMER

- LF: LEAD FREE PLATING
- M: WITH MYLAR  
BLANK: WITHOUT MYLAR
- PACKAGING METHOD:  
2: TAPE & REEL PACKAGING.
- POST OPTION:  
1 : WITH PLASTIC POST.
- HSG MATERIAL:  
1 OR 2: HIGH TEMP THERMOPLASTIC.
- PLATING IN CONTACT AREA:  
1 : GOLD FLASH  
3 : 30u" Au.
- N: NICKEL FOR SHIELD.  
T: SELECTIVE TIN ON LEGS.

mat'l. code		surface	tolerance	projection	product family
		ISO 1302 ✓	ISO 406 ISO 1101		USB 3.0
ltr	ecn no	dr	date	tolerances unless otherwise specified	title
M				angles linear .0±.30 0±2' .00±.10 .000±.05	MINI USB AB TYPE RECEPTACLE COONECTOR, R/A SMT TYPE
				scale 1:1	dwg no sheet 2 of 2 size
				dr JASMINE CHANG 9/09/03	10033527 A3
				eng ALLEN CHANG 6/16/08	type Product Customer Drawing
				chr Li-Qing Lei 6/16/08	
				appd Tim Yao 6/16/08	
sheet index	revision sheet	M	2/2		

This document is the property of and embodies CONFIDENTIAL and PROPRIETARY information of AFCI. No part of the information shown on this document may be used in any way or disclosed to others without the written consent of AFCI.