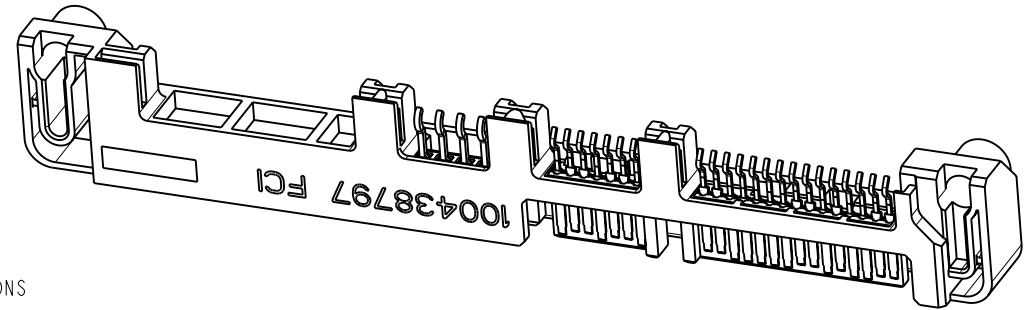
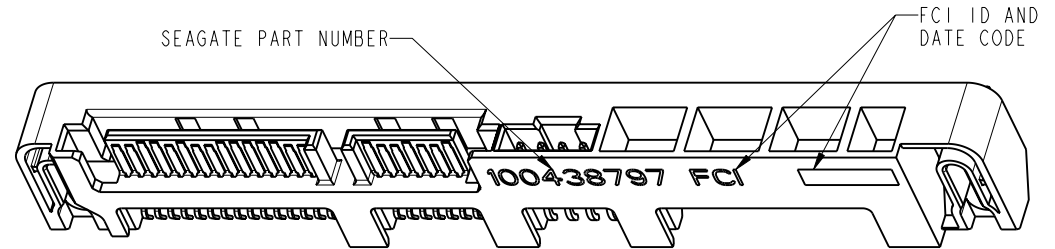
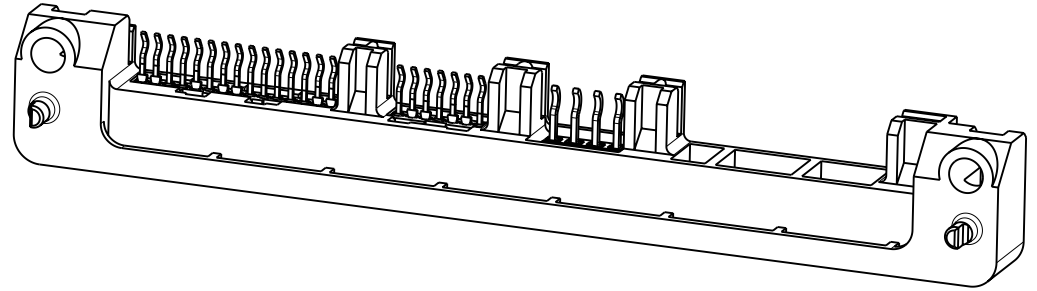


PRODUCT NO.  
10062014-002LF



NOTES:

- MATERIAL:  
HOUSING: LCP, UL94V-0, BLACK  
CONTACT: PHOSPHOR BRONZE
- FINISH:  
SIGNAL CONTACT:  
1.27um Min. 2.54um Max. NICKEL UNDERPLATE OVERALL  
1.91um Min. MATTE PURE TIN(LEAD-FREE) ON SOLDER TAIL  
0.38um Min. GOLD ON CONTACT AREA  
2mm PITCH JUMPER PIN:  
1.27um Min. 2.54um Max. NICKEL UNDERPLATE OVERALL  
1.91um Min. MATTE PURE TIN(LEAD-FREE) ON SOLDER TAIL  
0.076um Min. GOLD ON CONTACT AREA
- THIS PRODUCT MEETS EUROPEAN UNION DIRECTIVES AND OTHER COUNTRY REGULATIONS AS DESCRIBED IN GS-22-008
- THE HOUSING WILL WITHSTAND EXPOSURE TO 260°C PEAK TEMPERATURE FOR 10 SECONDS IN A CONVECTION, INFRA-RED OR VAPOR PHASE REFLOW OVEN
- A SYMBOL  $\triangle$  WILL BE NEXT TO ANY DIMENSION, VIEW, OR NOTE WHICH HAS BEEN MODIFIED WITH THE CURRENT DRAWING REVISION

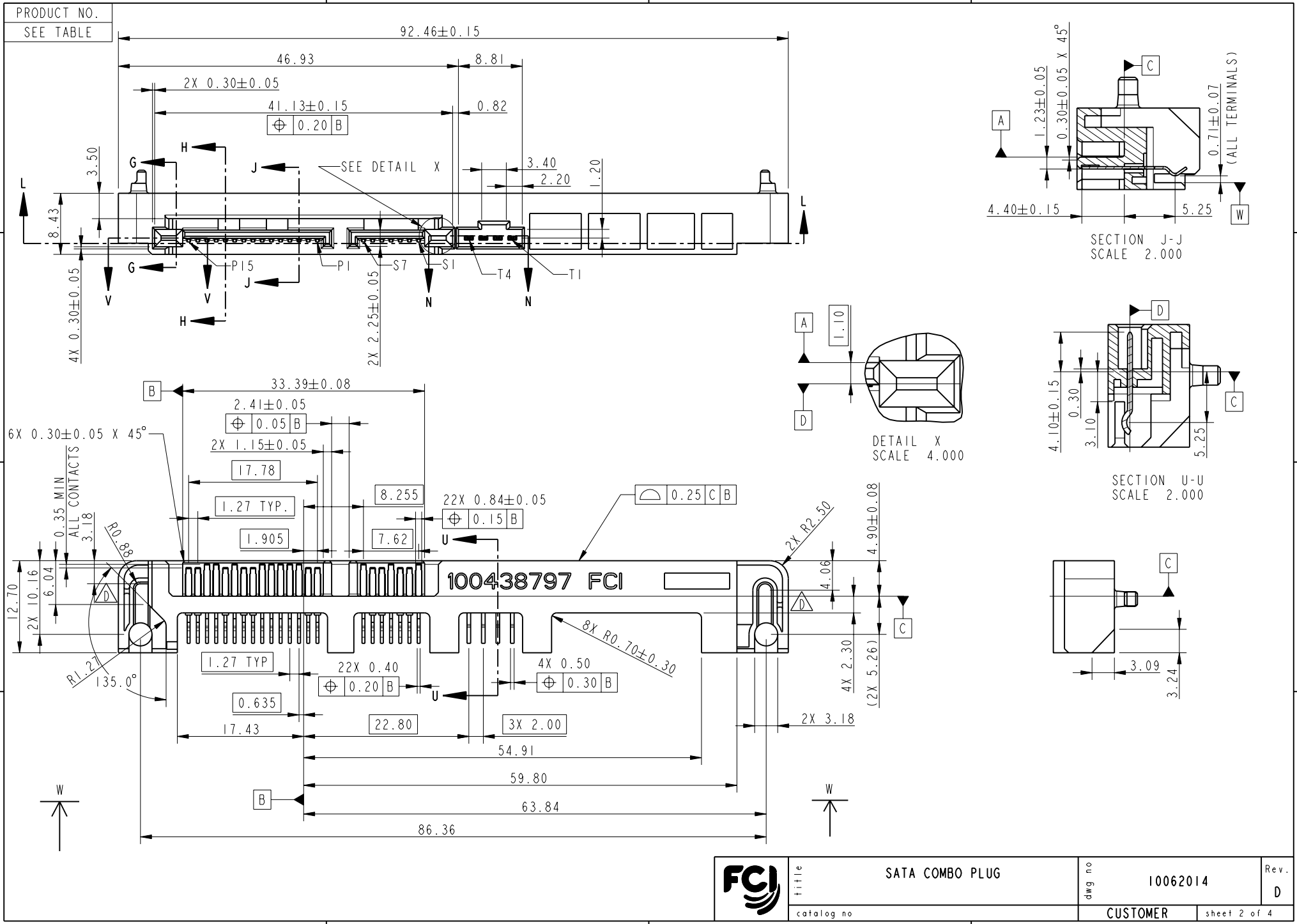
Copyright FCI.

rev	ecn no	dr	date
A	S06-0388	HKL	2006-11-23
B	S07-0060	HKL	2007-03-01
C	S07-0219	HKL	2007-06-25
D	S08-0299	HKL	2008-09-26
-	-	-	-
-	-	-	-
-	-	-	-

www.fciconnect.com			surface <input checked="" type="checkbox"/>	tolerance std ASME Y14.5	projection	MM
			TOLERANCES UNLESS OTHERWISE SPECIFIED			
Dr	HK LIM	2006-10-18	ANGULAR	LINEAR	size A4	Scale 1.500
Eng	R CRASTA	2008-09-26	0°	±2°	ECN S08-0299	
Chr	R CRASTA	2008-09-26	Product family		Spec ref	
Appr	JOEY NG	2008-09-26				
FCI			title SATA COMBO PLUG		dwg no 10062014	Rev. D
			catalog no		CUSTOMER	sheet 1 of 4



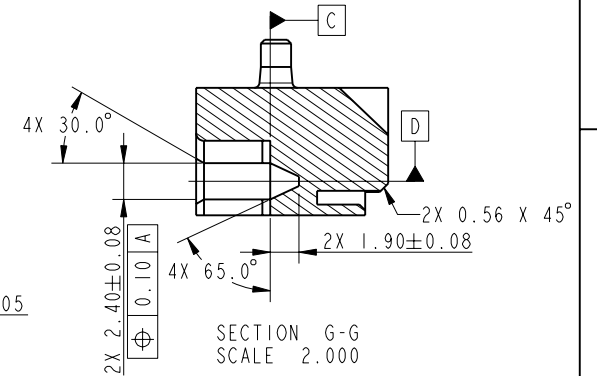
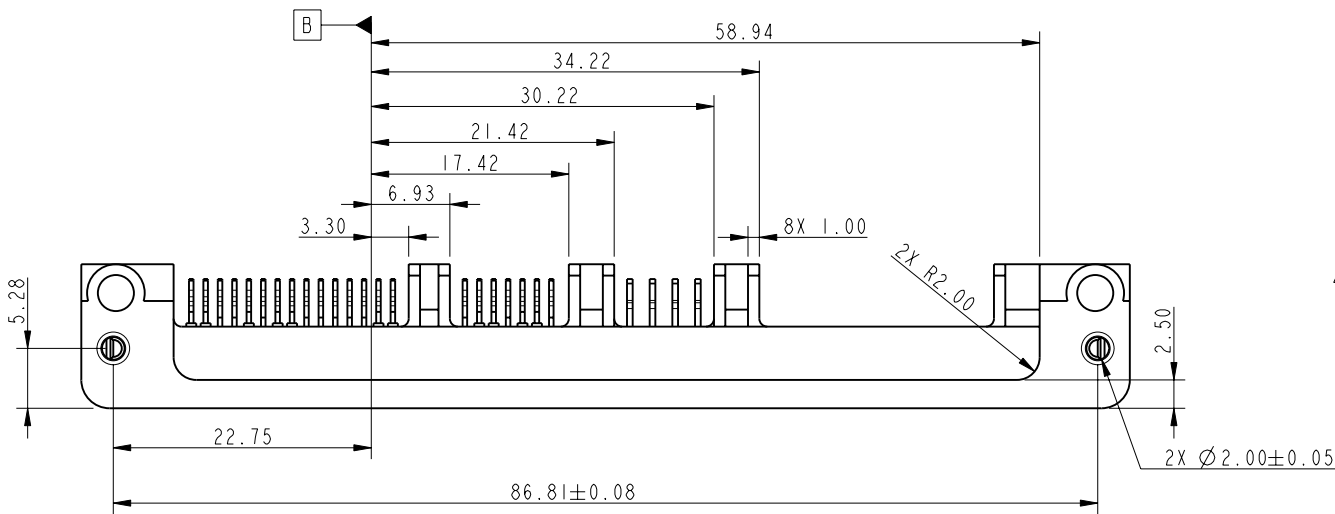
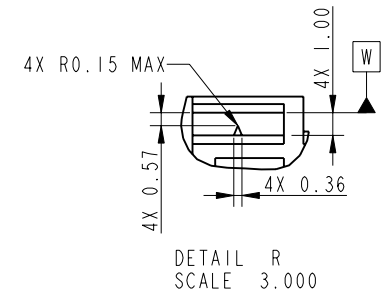
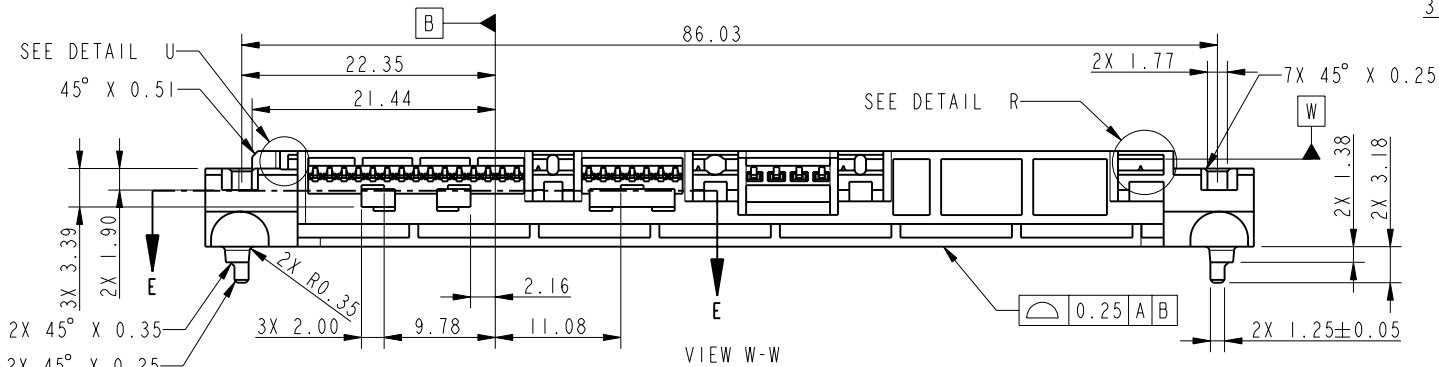
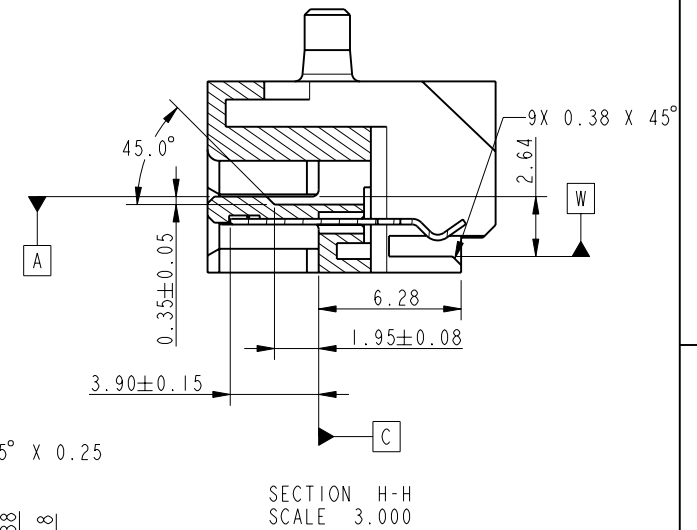
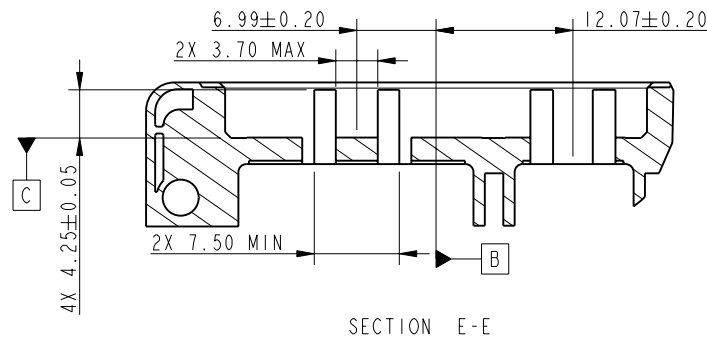
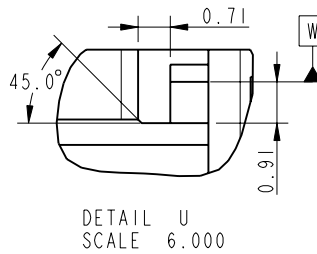
Copyright FCI.



REV E - 2006-03-28

	title	SATA COMBO PLUG	dwg no	10062014	Rev.	D
	catalog no		CUSTOMER	sheet 2 of 4		

PRODUCT NO.  
SEE TABLE



Copyright FCI.

FCI	title	SATA COMBO PLUG	dwg no	10062014	Rev.	D
	catalog no		CUSTOMER	sheet 3 of 4		

REV E - 2006-03-28

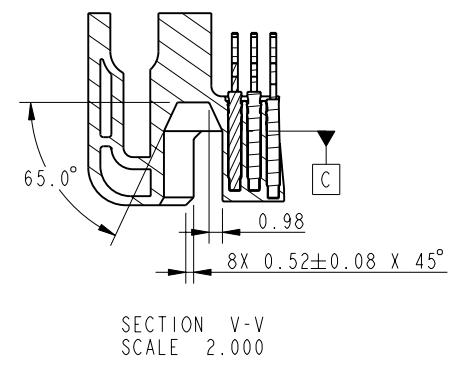
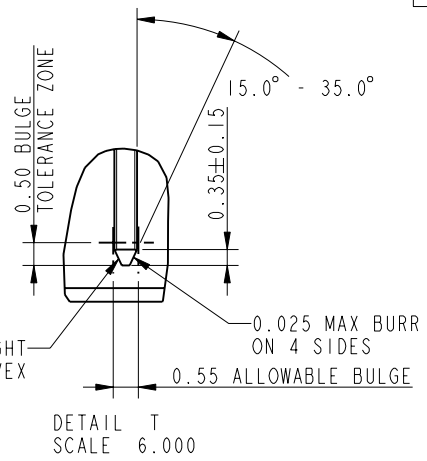
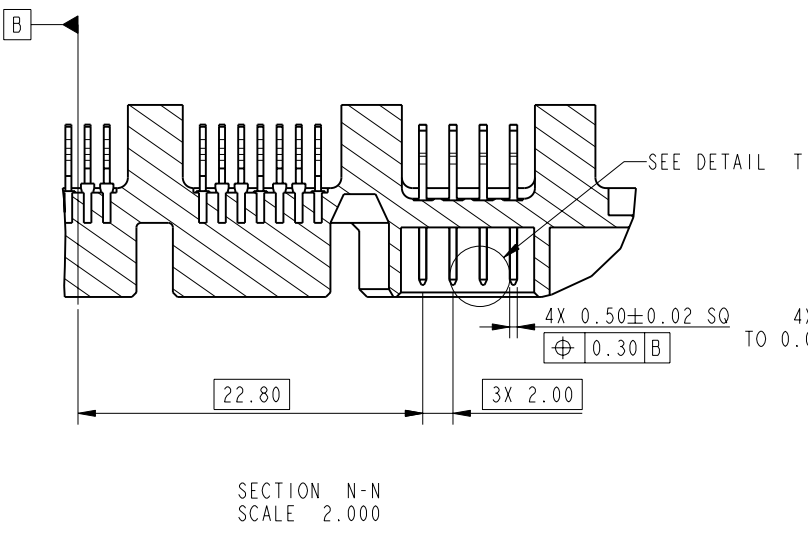
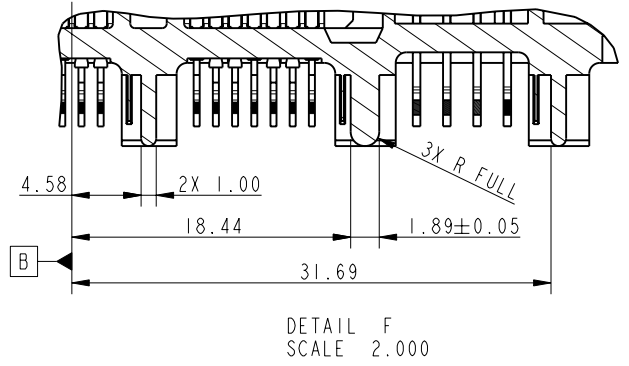
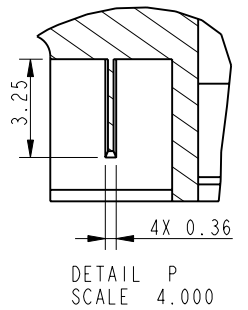
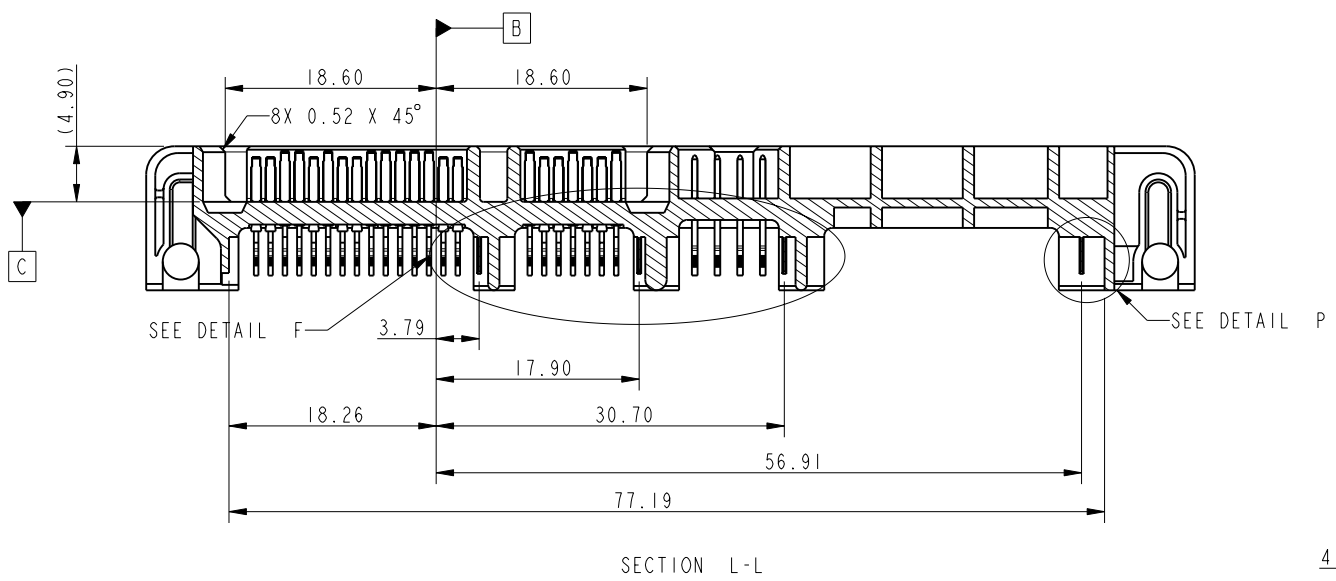
PDM: Rev:D

STATUS: Released

Printed: Dec 01, 2010

PRODUCT NUMBER  
10062014-002LF

A  
B  
C  
D



Copyright FCI.

FCI	title	SATA COMBO PLUG	dwg no	10062014	Rev.	D
	catalog no		CUSTOMER	sheet 4 of 4		

REV E - 2006-03-28