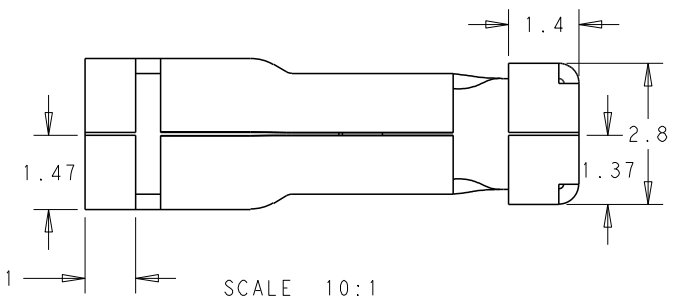
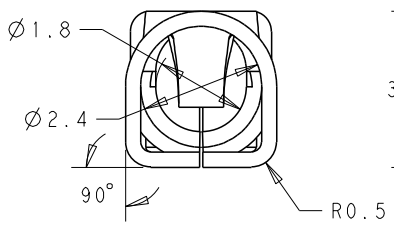
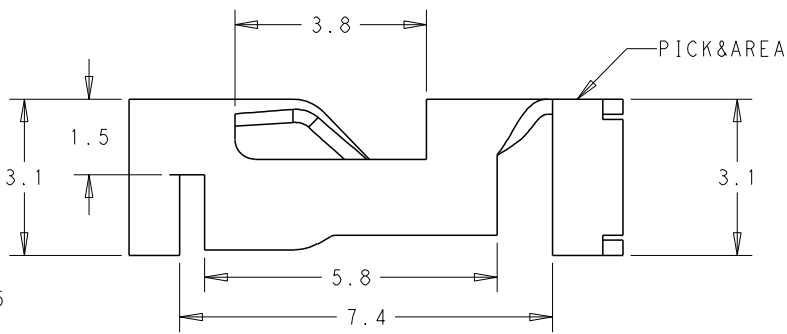
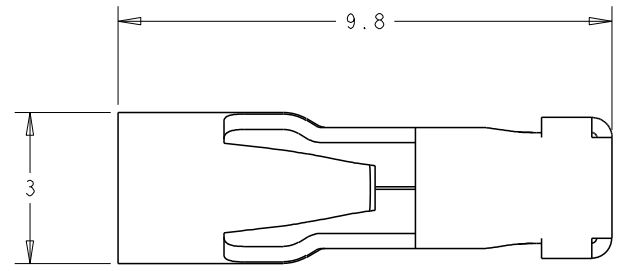
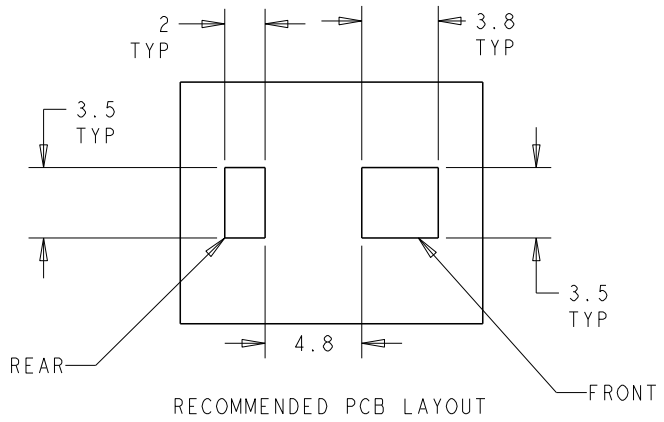


THIS DRAWING IS UNPUBLISHED. RELEASED FOR PUBLICATION 20
 (C) COPYRIGHT 20 BY - ALL RIGHTS RESERVED.

REVISIONS					
P	LTR	DESCRIPTION	DATE	DWN	APVD
	A	ECR-15-012173, RELEASE TO PRODUCTION	18AUG2015	GF	SM
	A1	ECR-15-012490, UPDATE NOTE DESCRIPTION	24AUG2015	GF	SM



- NOTES :
1. MATERIALS AND FINISH:
 - CONTACTS: COPPER ALLOY, FINISH: TIN OVER NICKEL UNDERPLATE
 2. MUST COMPLY WITH DIRECTIVE 2002/95/EC (ROHS)
 3. WIRE TYPES AND SIZES ACCEPTED
 WIRE SIZE: 16AWG SOLID
 18AWG SOLID & STRANDED (CONDUCTOR NO:16)
 20AWG SOLID & STRANDED (CONDUCTOR NO:7)
 MAX INSULATION OD: 2.1mm MAX.
 STRIP LENGTH: 7.0+/-0.3mm
 4. PACKAGED IN TAPE AND REEL



P/N: 2834012-3

SCALE 10:1

THIS DRAWING IS A CONTROLLED DOCUMENT.		DWN	24AUG2015		TE Connectivity
		CHK	24AUG2015		
		APVD	24AUG2015		
		NAME	XU XIANG		
DIMENSIONS:		PRODUCT SPEC		SLIM CONTACT	
mm		APPLICATION SPEC		108-137049	
TOLERANCES UNLESS OTHERWISE SPECIFIED:		WEIGHT		RESTRICTED TO	
0 PLC ±-		-		-	
1 PLC ±0.20		-		-	
2 PLC ±0.13		-		-	
3 PLC ±-		-		-	
4 PLC ±-		-		-	
ANGLES ±-		-		-	
FINISH		-		-	
MATERIAL		-		-	
1		-		-	
		CUSTOMER DRAWING		-	
		SCALE 10:1		-	
		SHEET 1 OF 1		-	
		REV A1		-	